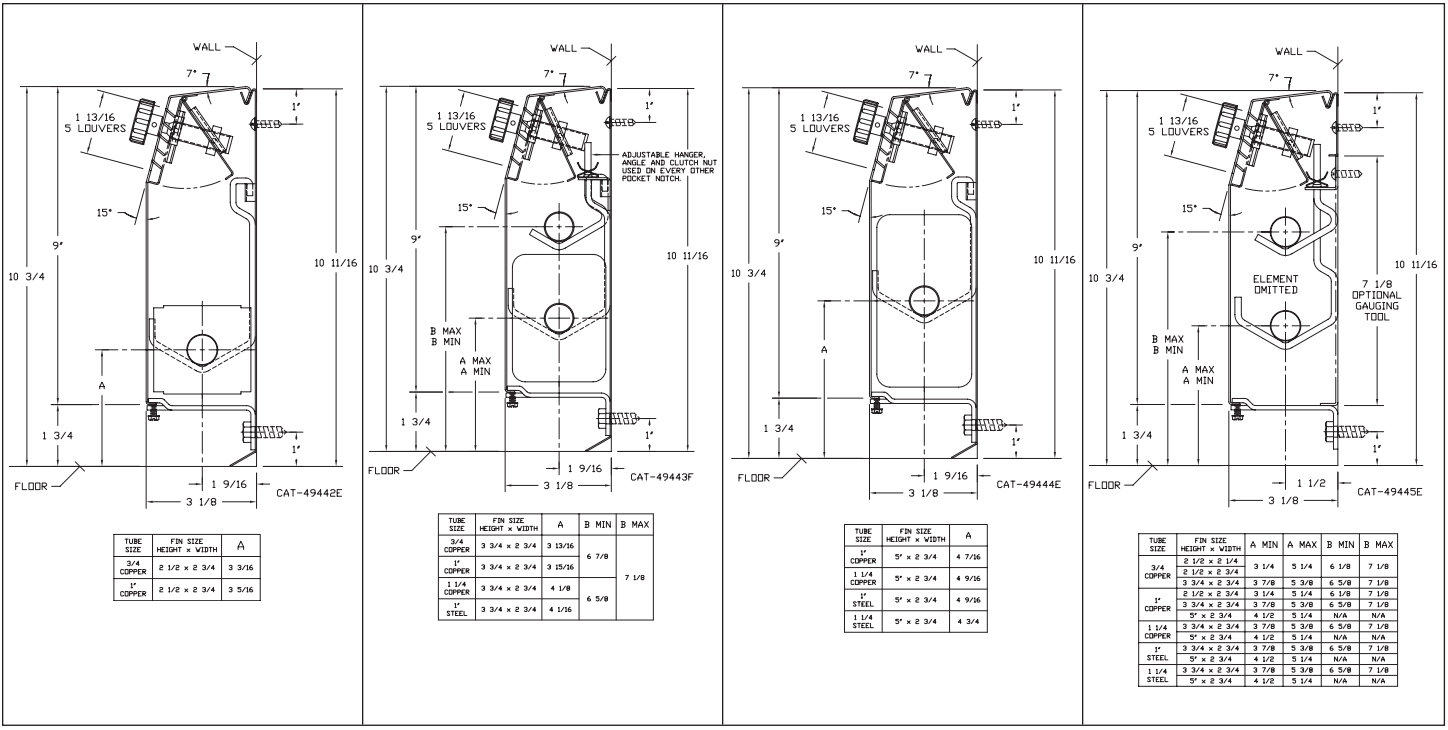


# LB-2 COMMERCIAL INSTITUTIONAL BASEBOARD RADIATION INSTALLATION INSTRUCTIONS

## DIMENSIONS



### RECOMMENDED INSTALLATION PROCEDURE

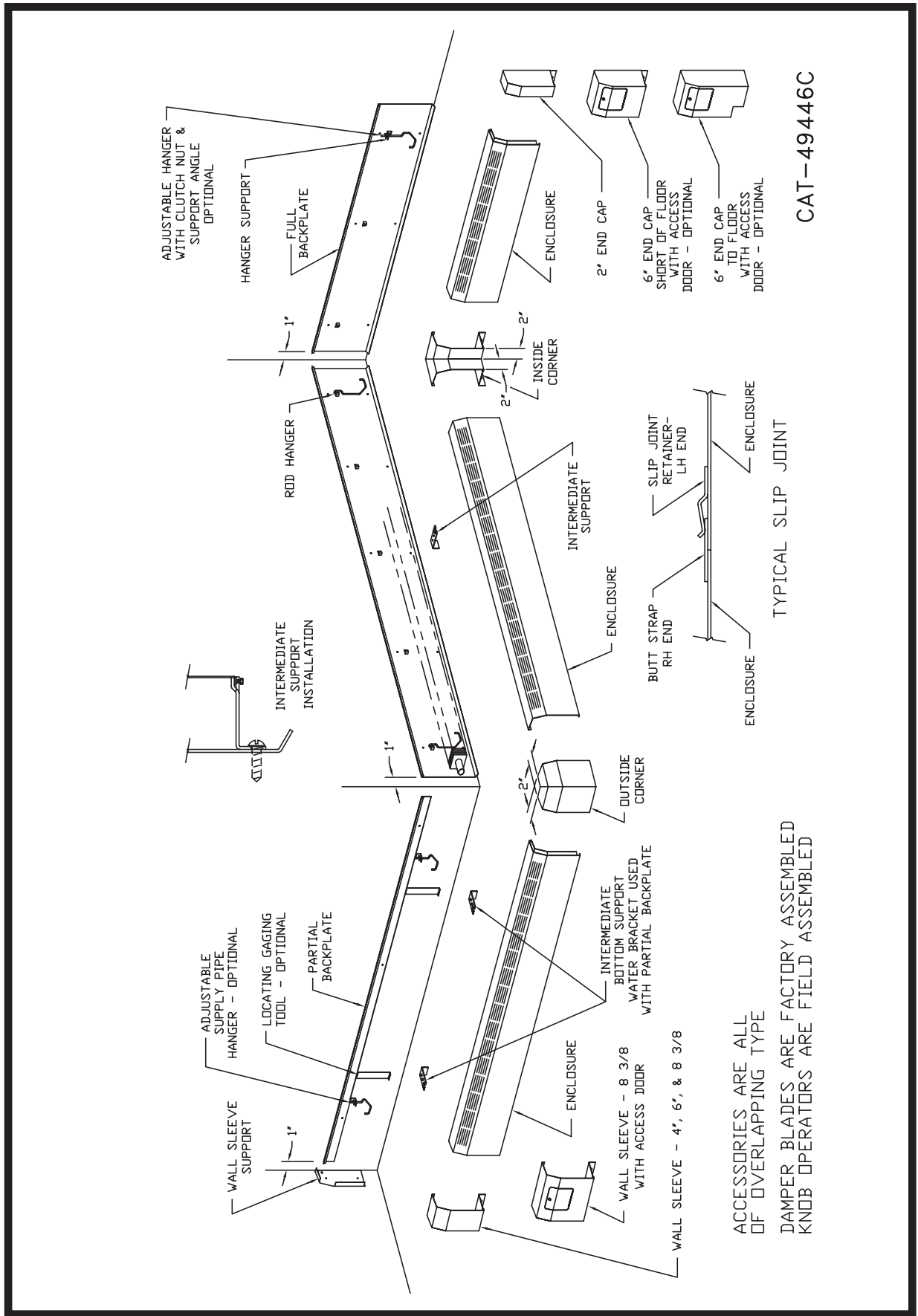
1. From job schedule or plan, determine proper enclosure assemblies and accessories for each wall.
2. Install backplate. Shim backplate, if wall runs out, to maintain a straight run. Backplate should extend length of enclosure so accessory engages backplate. Shim where necessary to maintain flat and level.
3. Install wire hangers to job schedule or max. of 4ft. between centers.
4. Install heating elements.
5. Install damper operator in enclosure if required. (optional)
6. Install enclosure. Where enclosures join bottom supports. Intermediate supports should also be installed at this time.
7. Install accessories. The top bend goes behind the backplate. The bottom bend engages the enclosure. The accessory may be attached to the wall for added security.



260 North Elm St., Westfield, MA 01085 Tel: (413) 564-5535 Fax: (413) 562-8437  
www.sterlingheat.com



# GENERAL LAYOUT



ACCESSORIES ARE ALL OF OVERLAPPING TYPE  
 DAMPER BLADES ARE FACTORY ASSEMBLED  
 KNOB OPERATORS ARE FIELD ASSEMBLED

CAT-49446C