

LB2

Submittal

Style LB-2
Slope Top Enclosure
Copper/Aluminum
& Steel Ratings

Specification

ENCLOSURE:

- STYLE : LB2
OUTLET: Slope Louvered
Pencil Proof
LENGTHS: 2'0" thru 8'0" (Std)
in 6" increments
MATERIAL: 18 Ga. CRS (Std)
 16 Ga. CRS Opt'l
 14 Ga. CRS Opt'l
 Stainless Steel, Alum.
Available Consult Factory
FINISH: Baked Powder (Std)
 Baked Metallic (Opt'l)

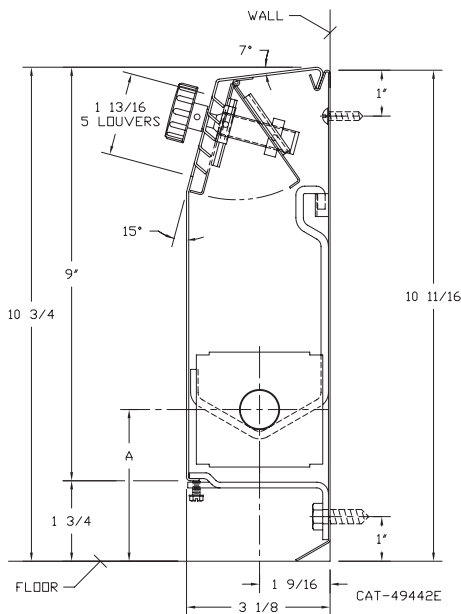
BACKPLATE:

- TYPE: Full B/P to Floor
Standard used with
standard or adjustable rod
hangers
LENGTHS: 2'0" thru 8'0" in 6" increments
MATERIAL: 20 Ga. CRS with
Baked Prime Finish
 Opt'l Baked Powder Color
TYPE: Partial Backplate used
with Intermediate Bottom
Support Brkt. with Ball
Bearings
LENGTHS: 8'0" (Std)
MATERIAL: 20 Ga. Prepainted (Std)
 18 Ga. Galvannealed

ENCLOSURE

- SUPPORTS:** Intermediate Bottom
Support
 Intermediate Bottom
Support with Ball Bearings
DAMPER: (Opt'l)
 Knob
 Tamper Resistant
AIR SEAL: (Opt'l)
 1/8" x 3/8" Closed Cell.
ACCESSORIES: All overlapping,
engage between
backplate and wall at
top. Bottom returns to
wall, holes provided
for fasteners.

FULL BACKPLATE INSTALLATION



TUBE SIZE	FIN SIZE HEIGHT x WIDTH	A
3/4 COPPER	2 1/2 x 2 3/4	3 3/16
1" COPPER	2 1/2 x 2 3/4	3 5/16

ELEMENT:

- TYPE: Cu/Al (Mechanically Expanded)
LENGTHS: R01 thru R05, 2'0" thru 8'0" in 12" increments
R06 thru R10, 2'0" thru 12'6" in 1" increments

One End Flared, (Std)

See Catalog for Working Pressures

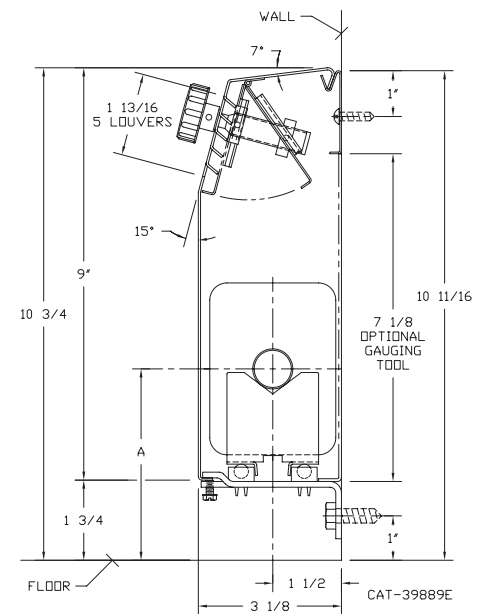
- TYPE: IPS Steel (Mechanically Expanded)
LENGTHS: 2'0" thru 12'0" in 1" increments

NPT Thread both Ends (Std)
Beveled Ends for Field Weld

See Catalog for Working Pressures

- SUPPORTS:** Rod Hanger Std with Full Backplate
 Adj. Rod hanger Opt'l with Part B/P or Full B/P
 18 Ga. Galv. Slide Cradle opt'l with Int. Bottom w/Ball Bearings

PARTIAL BACKPLATE INSTALLATION



TUBE SIZE	FIN SIZE HEIGHT x WIDTH	CRADLE NUMBER	A
3/4 COPPER	2 1/2 x 2 1/4	1	3 1/2
	2 1/2 x 2 3/4		
1" COPPER	3 3/4 x 2 3/4	2	4 3/16
	2 1/2 x 2 3/4	1	3 5/8
	3 3/4 x 2 3/4	2	4 5/16
1 1/4 COPPER	5" x 2 3/4	3A	4 3/4
	3 3/4 x 2 3/4	2	4 1/2
1" STEEL	5" x 2 3/4	3A	4 7/8
	3 3/4 x 2 3/4	2	4 7/16
1 1/4 STEEL	5" x 2 3/4	3A	4 7/8
	3 3/4 x 2 3/4	2	4 11/16
1" STEEL	5" x 2 3/4	3A	5 1/16
	3 3/4 x 2 3/4	2	4 11/16



COMMERCIAL HYDRONIC PRODUCTS
260 North Elm St., Westfield, MA 01085
(413) 564-5535 Fax: (413) 562-8437
www.sterlingheat.com

PROJECT: _____ DATE: _____

LOCATION: _____

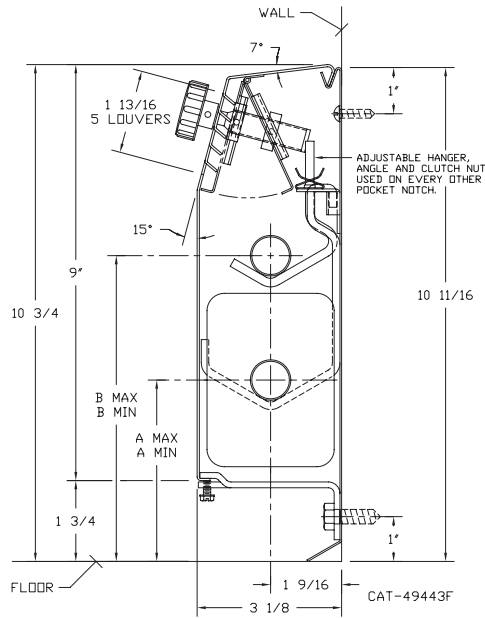
ARCHITECT: _____

ENGINEER: _____

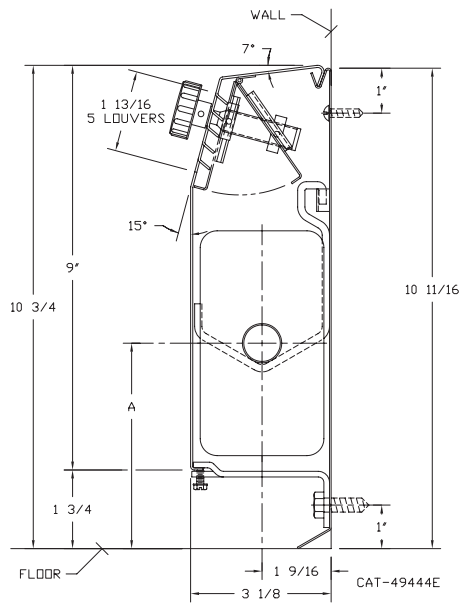
CONTRACTOR: _____

PO NUMBER: _____

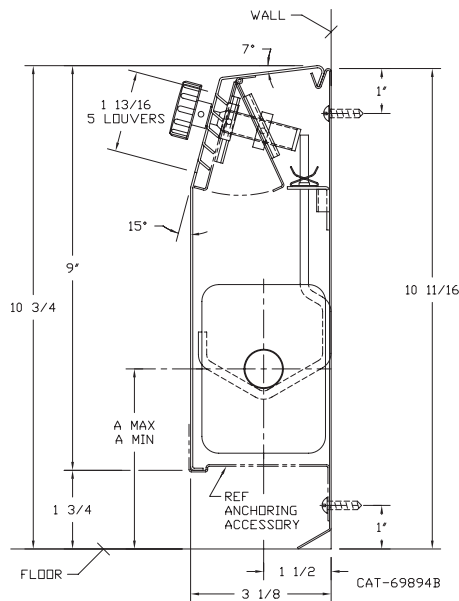
FULL BACKPLATE INSTALLATION



TUBE SIZE	FIN SIZE HEIGHT x WIDTH	A	B MIN	B MAX
3/4 COPPER	3 3/4 x 2 3/4	3 13/16	6 7/8	7 1/8
1' COPPER	3 3/4 x 2 3/4	3 15/16		
1 1/4 COPPER	3 3/4 x 2 3/4	4 1/8	6 5/8	
1' STEEL	3 3/4 x 2 3/4	4 1/16		



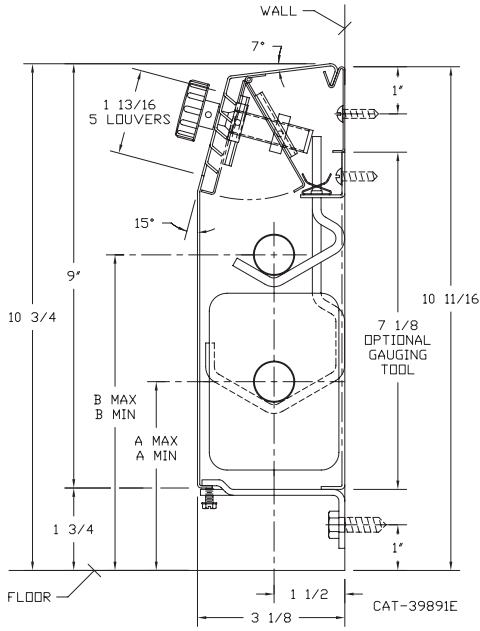
TUBE SIZE	FIN SIZE HEIGHT x WIDTH	A
1' COPPER	5' x 2 3/4	4 7/16
1 1/4 COPPER	5' x 2 3/4	4 9/16
1' STEEL	5' x 2 3/4	4 9/16
1 1/4 STEEL	5' x 2 3/4	4 3/4



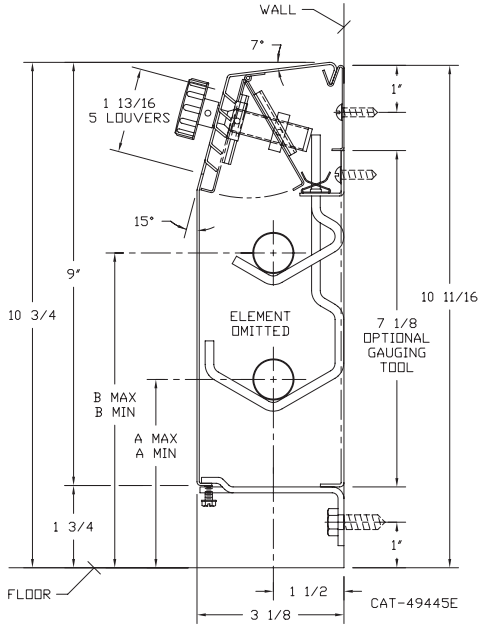
TUBE SIZE	FIN SIZE HEIGHT x WIDTH	A MIN	A MAX
3/4 COPPER	2 1/2 x 2 1/4	3 1/4	5 1/4
	2 1/2 x 2 3/4		
	3 3/4 x 2 3/4	3 7/8	5 3/8
1' COPPER	2 1/2 x 2 3/4	3 1/4	5 1/4
	3 3/4 x 2 3/4	3 7/8	5 3/8
	5' x 2 3/4	4 1/2	5 1/4
1 1/4 COPPER	3 3/4 x 2 3/4	3 7/8	5 3/8
	5' x 2 3/4	4 1/2	5 1/4
1' STEEL	3 3/4 x 2 3/4	3 7/8	5 3/8
	5' x 2 3/4	4 1/2	5 1/4
1 1/4 STEEL	3 3/4 x 2 3/4	3 7/8	5 3/8
	5' x 2 3/4	4 1/2	5 1/4

PARTIAL BACKPLATE INSTALLATION

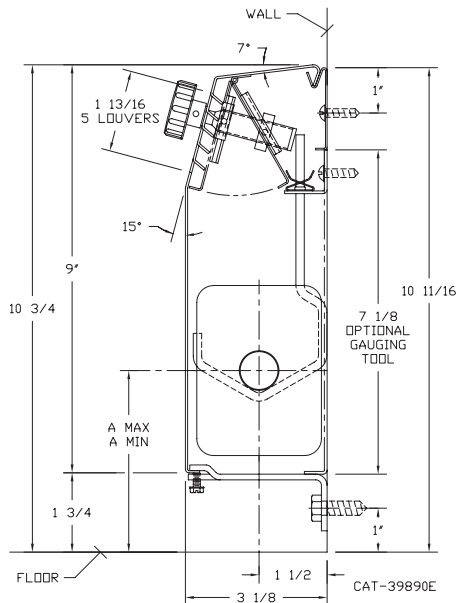
Rod Hanger Installation



TUBE SIZE	FIN SIZE HEIGHT x WIDTH	A MIN	A MAX	B MIN	B MAX
3/4 COPPER	2 1/2 x 2 1/4	3 1/4	5 1/4	6 1/8	7 1/8
	2 1/2 x 2 3/4				
1" COPPER	3 3/4 x 2 3/4	3 7/8	5 3/8	6 5/8	7 1/8
	2 1/2 x 2 3/4	3 1/4	5 1/4	6 1/8	7 1/8
	5" x 2 3/4	4 1/2	5 1/4	N/A	N/A
1 1/4 COPPER	3 3/4 x 2 3/4	3 7/8	5 3/8	6 5/8	7 1/8
	5" x 2 3/4	4 1/2	5 1/4	N/A	N/A
1" STEEL	3 3/4 x 2 3/4	3 7/8	5 3/8	6 5/8	7 1/8
	5" x 2 3/4	4 1/2	5 1/4	N/A	N/A
1 1/4 STEEL	3 3/4 x 2 3/4	3 7/8	5 3/8	6 5/8	7 1/8
	5" x 2 3/4	4 1/2	5 1/4	N/A	N/A




TUBE SIZE	FIN SIZE HEIGHT x WIDTH	A MIN	A MAX	B MIN	B MAX
3/4 COPPER	2 1/2 x 2 1/4	3 1/4	5 1/4	6 1/8	7 1/8
	2 1/2 x 2 3/4				
1" COPPER	3 3/4 x 2 3/4	3 7/8	5 3/8	6 5/8	7 1/8
	2 1/2 x 2 3/4	3 1/4	5 1/4	6 1/8	7 1/8
	5" x 2 3/4	4 1/2	5 1/4	N/A	N/A
1 1/4 COPPER	3 3/4 x 2 3/4	3 7/8	5 3/8	6 5/8	7 1/8
	5" x 2 3/4	4 1/2	5 1/4	N/A	N/A
1" STEEL	3 3/4 x 2 3/4	3 7/8	5 3/8	6 5/8	7 1/8
	5" x 2 3/4	4 1/2	5 1/4	N/A	N/A
1 1/4 STEEL	3 3/4 x 2 3/4	3 7/8	5 3/8	6 5/8	7 1/8
	5" x 2 3/4	4 1/2	5 1/4	N/A	N/A



TUBE SIZE	FIN SIZE HEIGHT x WIDTH	A MIN	A MAX
3/4 COPPER	2 1/2 x 2 1/4	3 1/4	5 1/4
	2 1/2 x 2 3/4		
1" COPPER	3 3/4 x 2 3/4	3 7/8	5 3/8
	2 1/2 x 2 3/4	3 1/4	5 1/4
	5" x 2 3/4	4 1/2	5 1/4
1 1/4 COPPER	3 3/4 x 2 3/4	3 7/8	5 3/8
1" STEEL	3 3/4 x 2 3/4	3 7/8	5 3/8
	5" x 2 3/4	4 1/2	5 1/4
1 1/4 STEEL	3 3/4 x 2 3/4	3 7/8	5 3/8
	5" x 2 3/4	4 1/2	5 1/4

STYLE Light Commercial "LB-2"						COPPER/ALUMINUM ELEMENT RATINGS							
						ALL RATINGS ARE BASED ON 65° EAT							
TUBE SIZE	CATALOG DESIGNATION	FIN SIZE HEIGHT X WIDTH	FIN PER FT.	FIN THICKNESS IN INCHES	WATER RATE IN G.P.M.	HOT WATER (AVG.)							
						215°	180°	170°	160°	150°	140°	130°	120°
3/4"	R02	2-1/2" x 2-3/4"	▶ 60	▶ .010	1	1010	720	630	550	470	390	320	260 ◀
					4	1070	760	670	580	500	420	350	280 ◀
1"	R03	2-1/2" x 2-3/4"	▶ 55	▶ .011	1	990	710	620	540	460	390	320	250 ◀
					4	1050	750	660	570	490	410	340	270 ◀
3/4"	R04	3-3/4" x 2-3/4"	50	.014	1	1070	770	680	590	510	430	350	280
					4	1130	810	720	620	530	450	370	290
1"	R05	3-3/4" x 2-3/4"	50	.014	1	1080	780	690	600	520	440	360	290
					4	1140	820	730	630	540	450	370	300
1"	R07	5" x 2-3/4"	50	.020	1	1060	740	650	560	470	390	320	260
					4	1120	780	680	590	500	420	350	280
1-1/4"	R08	2-1/2" x 2-3/4"	50	.02	1	1070	740	650	560	470	390	320	260
					4	1130	780	680	590	500	420	350	280
1-1/4"	R10	5" x 2-3/4"	50	.020	1	1080	750	660	560	470	390	320	260
					4	1140	790	690	590	500	420	350	280

▶ Bold, italicized units are  rated ◀

STYLE Light Commercial "LB-2"						STEEL ELEMENT RATINGS							
						ALL RATINGS ARE BASED ON 65° EAT							
TUBE SIZE	CATALOG DESIGNATION	FIN SIZE HEIGHT X WIDTH	FIN PER FT.	FIN THICKNESS IN INCHES	WATER RATE IN G.P.M.	HOT WATER (AVG.)							
						215°	180°	170°	160°	150°	140°	130°	120°
1"	R12	5" x 2-3/4"	50	.024	1	1000	720	630	550	470	390	320	260
					4	1060	760	670	580	500	420	350	280
1-1/4"	R13	5" x 2-3/4"	50	.024	1	1020	730	640	560	480	400	330	260
					4	1080	770	680	590	510	430	350	280