

GUARDIAN

Submittal

Style "GSBS"
Slope Top Enclosures
Copper/Aluminum &
Steel Element Ratings

Fully Perforated Enclosure

Specification

ENCLOSURE:

- STYLE : "GSBS"
- OUTLET: Slope Fully Perforated
- LENGTHS: 2' thru 8' in 6" Increments
- MATERIAL 14 Ga. C.R.S. Std.
 12 Ga. C.R.S. Opt'l.
- FINISH: Baked Primer
 Factory Baked Powder Opt'l.

- ACCESSORIES:** All overlapping, extend to wall at top. Bottom returns to wall, holes provided for fasteners.
- 14 Ga. Std.
 - 12 Ga. Opt'l.

ELEMENT:

- TYPE: Cu/Al (Mechanically Expanded)
- LENGTHS: 2'0" thru 12'6" in 1" Increments.
- 3/4" Cu Tube Available up to 8'0" Max.
- One End Flared, Std.
- See Catalog for Working Pressures.

ELEMENT:

- TYPE: Steel (Mechanically Expanded)
- LENGTHS: 2'0" thru 12'6" in 1" Increments.
- NPT Threads Both Ends (standard)
- Beveled Ends for Field Weld
- See Catalog for Working Pressures.

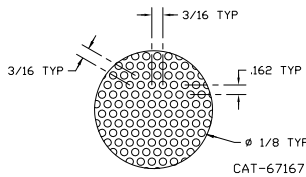
BACKPLATE:

- TYPE: Partial Backplate
- LENGTHS: 8' Only
- MATERIAL: 14 Ga. Painted Std.
 12 Ga. Opt'l.
- TYPE: Full Backplate
- LENGTHS: 2' thru 8' in 6" Increments
- MATERIAL: 14 Ga. Painted Std.
 12 Ga. Opt'l.

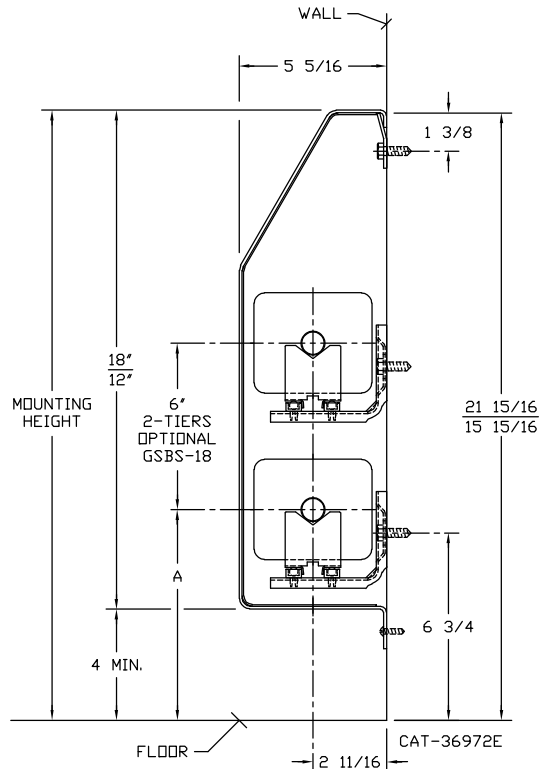
- BRACKETS:** Wall Mtd B.B. Hanger

- GSBS-12 GSBS-18

ELEMENT TUBE SIZE	FIN HEIGHT	CRADLE	A
3/4" COPPER	3-5/8"	2	7-9/16
3/4" COPPER	4-1/4"	3A	7-15/16
1" COPPER	BOTH	2	7-3/4
1-1/4" COPPER	BOTH	2	7-7/8
1" STEEL	4-1/4"	2	7-7/8
1-1/4" STEEL	4-1/4"	2	8-1/16
2" STEEL	4-1/4"	1	7-13/16



PERFORATION DETAIL
SCALE 2=1, IPS 113
ø 1/8 HOLES ON
3/16 STAGGERED CENTERS



COMMERCIAL HYDRONIC PRODUCTS
260 North Elm St., Westfield, MA 01085
(413) 564-5535 Fax: (413) 562-8437
www.sterlingheat.com



PROJECT: _____ DATE: _____
 LOCATION: _____
 ARCHITECT: _____
 ENGINEER: _____
 CONTRACTOR: _____
 PO NUMBER: _____

STYLE "GSBS"

COPPER/ALUMINUM ELEMENT RATINGS

TUBE SIZE	CATALOG DESIGNATION	FIN SIZE	FIN PER FT.	FIN THICKNESS	ENCL DEPTH AND HEIGHT IN INCHES	TIERS AND CENTERS IN INCHES	MTG. HEIGHT IN INCHES	STEAM 215° FACTOR	HOT WATER (AVG.)					
									200°	190°	180°	170°	160°	150°
									FACTOR					
								1.00	.86	.78	.69	.61	.53	.45
3/4"	C3/4-434	4-1/4" x 3-5/8"	40	.020" A	12B†	1	16	1240	1070	970	860	760	660	560
					18B†	1	22	1290	1110	1010	980	790	680	580
					18B†	2-6 CL	22	2230	1920	1740	1540	1360	1180	1000
3/4"	C3/4-435	4-1/4" x 3-5/8"	50	.020" A	12B†	1	16	1350	1160	1050	930	820	720	610
					18B†	1	22	1400	1200	1090	970	850	740	630
					18B†	2-6 CL	22	2390	2060	1860	1650	1460	1270	1080
1"	C44	4-1/4" SQ.	40	.020" A	12B†	1	16	1430	1230	1120	990	870	760	640
					18B†	1	22	1480	1270	1150	1020	900	780	670
					18B†	2-6 CL	22	2560	2200	2000	1770	1560	1360	1150
1"	C45	4-1/4" SQ.	50	.020" A	12B†	1	16	1470	1260	1150	1010	900	780	660
					18B†	1	22	1530	1320	1190	1060	930	810	690
					18B†	2-6 CL	22	2590	2230	2020	1790	1580	1370	1170
1-1/4"	C144	4-1/4" SQ.	40	.020" A	12B†	1	16	1400	1200	1090	970	850	740	630
					18B†	1	22	1460	1260	1140	1010	890	770	660
					18B†	2-6 CL	22	2520	2170	1970	1740	1540	1340	1130
1-1/4"	C145	4-1/4" SQ.	50	.020" A	12B†	1	16	1440	1240	1120	990	880	760	650
					18B†	1	22	1500	1290	1170	1040	920	800	680
					18B†	2-6 CL	22	2550	2190	1990	1760	1560	1350	1150

†Standard enclosure dimension is 5-5/16".

Consult factory for Guardian enclosures with 4-3/8" or 3-9/16" offset.

► **Bold, italicized units are**  **rated** ◀

STYLE "GSBS"

STEEL ELEMENT RATINGS

TUBE SIZE	CATALOG DESIGNATION	FIN SIZE	FIN PER FT.	FIN THICKNESS	ENCL DEPTH AND HEIGHT IN INCHES	TIERS AND CENTERS IN INCHES	MTG. HEIGHT IN INCHES	STEAM 215° FACTOR	HOT WATER (AVG.)					
									200°	190°	180°	170°	160°	150°
									FACTOR					
								1.00	.86	.78	.69	.61	.53	.45
1-1/4"	S144	4-1/4" SQ.	40	.032" A	12B†	1	16	1250	1080	980	860	760	660	560
					18B†	1	22	1300	1120	1010	900	790	690	590
					18B†	2-6 CL	22	2250	1940	1760	1550	1370	1190	1010

†Standard enclosure dimension is 5-5/16".

Consult factory for Guardian enclosures with 4-3/8" or 3-9/16" offset.