

CLASSIC

Submittal

JVB/VB-AR7
Classic Architectural
Copper/Aluminum and
Steel Elements

Specification

JVB Slip Jointed Enclosure

ENCLOSURE:

- STYLE: Classic
 OUTLET: Extruded Aluminum Grille
 Pencil Proof
- LENGTHS: 2'0" thru 8'0" in 6" Increments
 MAT'L: 16 Ga. CRS (Std)
 14 Ga. CRS (Opt'l)
 16 Ga. Stainless Steel (Opt'l)*
 14 Ga. Stainless Steel (Opt'l)*
 14 Ga. Aluminum (Opt'l)
 12 Ga. Aluminum (Opt'l)
 *Available on "J" Style Only
- FINISH: Baked Powder (Std)
 Baked Metallic

ACCESSORIES:

- JVB Overlapping Type
 VB Underlapping Type
 All accessories return to the wall at the bottom
 and have pre-punched holes for fastening to
 the wall.

ELEMENT:

- TYPE: Cu/Al (Mechanically
 Expanded)
 LENGTHS: 2'0" thru 12'6" in 1" Increments
 for 1" & 1-1/4" Cu.
 2'0" thru 8'0" in 1" Increments
 for 3/4" Cu.
- TYPE: One End Flared, (Std)
- TYPE: IPS Steel (Mechanically
 Expanded)
 LENGTHS: 2'0" Thru 12'0" in 1" Increments
 NPT Thread both Ends (Std)
 Beveled Ends for Field Weld

See Catalog for Working
 Pressures

VB Wiped Edge Enclosure

BACKPLATE:

- TYPE: Partial B/P
 LENGTHS: 8'0" Only
 MAT'L: 20 Ga. Prepainted (Std)
 18 Ga. Painted (Opt'l)
- TYPE: Full Ht. B/P (Opt'l)
 LENGTHS: 2'0" thru 8'0" in 6" Increments
 MAT'L: 20 Ga. Galvannealed (Opt'l)
 20 Ga. Painted (Opt'l)
 18 Ga. Painted (Opt'l)

AIRSEAL:

- 1/8" x 3/8" Closed Cell (Opt'l)

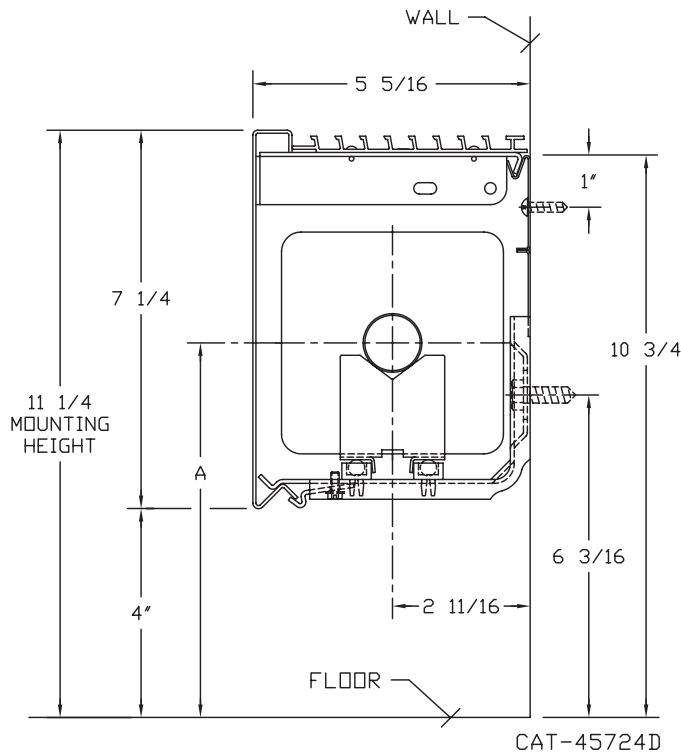
BRACKETS:

- Water Brkt B7

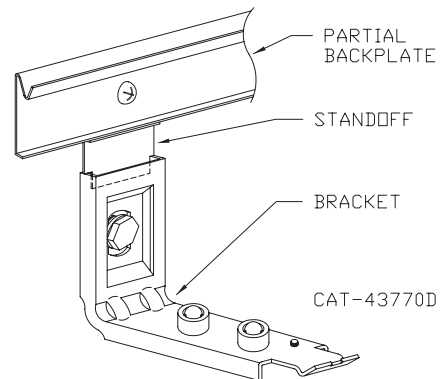
DAMPER:

- Slide Damper (Opt'l)

JVB/VB-AR7
(JVB Shown)



ELEMENT TUBE SIZE	FIN SIZE HEIGHT x WIDTH	CRADLE NUMBER	A
3/4" COPPER	3 5/8 x 4 1/4	2	7"
3/4" COPPER	4 1/4 x 4 1/4	3A	7 3/8"
1" COPPER	3 5/8 x 4 1/4	2	7 3/16"
1" COPPER	4 1/4 x 4 1/4	2	7 3/16"
1 1/4" COPPER	3 5/8 x 4 1/4	2	7 5/16"
1 1/4" COPPER	4 1/4 x 4 1/4	2	7 5/16"
1" STEEL	4 1/4 x 4 1/4	2	7 5/16"
1 1/4" STEEL	4 1/4 x 4 1/4	2	7 1/2"
2" STEEL	4 1/4 x 4 1/4	1	7 1/4"



STERLING
 COMMERCIAL HYDRONIC PRODUCTS
 260 North Elm St., Westfield, MA 01085
 (413) 564-5535 Fax: (413) 562-8437
 www.sterlingheat.com



PROJECT: _____ DATE: _____
 LOCATION: _____
 ARCHITECT: _____
 ENGINEER: _____
 CONTRACTOR: _____
 PO NUMBER: _____

STYLE JVB/VB-AR7

COPPER/ALUMINUM ELEMENT RATINGS

ALL RATINGS ARE BASED ON 3 FPS WATER VELOCITY, 65° EAT.

TUBE SIZE	CATALOG DESIGNATION	FIN SIZE HEIGHT X WIDTH	FIN PER FT.	FIN THICKNESS	ENCL. HEIGHT	TIERS OF ELEMENT	MTG. HEIGHT	STEAM RATING 215°F, 65°F E.A.T. BTU/FT/HR	HOT WATER RATINGS BTU/FT/HR AWT						
									180°	170°	160°	150°	140°	130°	120°
									0.69	0.61	0.53	0.45	.40	.33	.26
3/4"	C3/4-433	3-5/8" x 4-1/4"	32	.020	7 1/4	1	11 1/4	1065	730	650	560	480	430	350	280
3/4"	C3/4-434	3-5/8" x 4-1/4"	40	.020	7 1/4	1	11 1/4	1240	860	760	660	560	500	410	320
3/4"	C3/4-435	3-5/8" x 4-1/4"	50	.020	7 1/4	1	11 1/4	1320	910	810	700	590	530	440	340
1"	C433	3-5/8" x 4-1/4"	32	.020	7 1/4	1	11 1/4	1150	790	700	610	520	460	380	300
1"	C434	3-5/8" x 4-1/4"	40	.020	7 1/4	1	11 1/4	1260	870	770	670	570	500	420	330
1"	C435	3-5/8" x 4-1/4"	50	.020	7 1/4	1	11 1/4	1360	940	830	720	610	540	450	350
1-1/4"	C1433	3-5/8" x 4-1/4"	32	.020	7 1/4	1	11 1/4	1120	770	680	590	500	450	370	290
1-1/4"	C1434	3-5/8" x 4-1/4"	40	.020	7 1/4	1	11 1/4	1240	860	760	660	560	500	410	320
1-1/4"	C1435	3-5/8" x 4-1/4"	50	.020	7 1/4	1	11 1/4	1330	920	810	700	600	530	440	350
3/4"	C3/4-43	4-1/4" SQ.	32	.020	7 1/4	1	11 1/4	1250	860	760	660	560	500	410	330
3/4"	C3/4-44	4-1/4" SQ.	40	.020	7 1/4	1	11 1/4	1360	940	830	720	610	540	450	350
3/4"	C3/4-45	4-1/4" SQ.	50	.020	7 1/4	1	11 1/4	1380	950	840	730	620	550	460	360
1"	C43	4-1/4" SQ.	32	.020	7 1/4	1	11 1/4	1260	870	770	670	570	500	420	330
1"	C44	4-1/4" SQ.	40	.020	7 1/4	1	11 1/4	1390	960	850	740	630	560	460	360
1"	C45	4-1/4" SQ.	50	.020	7 1/4	1	11 1/4	1410	970	860	750	630	560	470	370
1-1/4"	C143	4-1/4" SQ.	32	.020	7 1/4	1	11 1/4	1230	850	750	650	550	490	410	320
1-1/4"	C144	4-1/4" SQ.	40	.020	7 1/4	1	11 1/4	1370	950	840	730	620	550	450	360
1-1/4"	C145	4-1/4" SQ.	50	.020	7 1/4	1	11 1/4	1390	960	850	740	630	560	460	360

Note: Not recommended for steam applications. Consult factory.

STEEL ELEMENT RATINGS*

ALL RATINGS ARE BASED ON 3 FPS WATER VELOCITY, 65° EAT.

I.P.S. SIZE	CATALOG DESIGNATION	FIN SIZE HEIGHT X WIDTH	FIN PER FT.	FIN THICKNESS	ENCL. HEIGHT	TIERS OF ELEMENT	MTG. HEIGHT	STEAM RATING 215°F, 65°F E.A.T. BTU/FT/HR	HOT WATER RATINGS BTU/FT/HR AWT						
									180°	170°	160°	150°	140°	130°	120°
									0.69	0.61	0.53	0.45	.40	.33	.26
1"	S43	4-1/4" SQ.	32	.032	7 1/4	1	11 1/4	1100	760	670	580	500	440	360	290
1"	S44	4-1/4" SQ.	40	.032	7 1/4	1	11 1/4	1210	830	740	640	540	480	400	310
1"	S45	4-1/4" SQ.	50	.032	7 1/4	1	11 1/4	1295	890	790	690	580	520	430	340
1-1/4"	S143	4-1/4" SQ.	32	.032	7 1/4	1	11 1/4	1090	750	660	580	490	440	360	280
1-1/4"	S144	4-1/4" SQ.	40	.032	7 1/4	1	11 1/4	1210	830	740	640	540	480	400	310
1-1/4"	S145	4-1/4" SQ.	50	.032	7 1/4	1	11 1/4	1270	880	770	670	570	510	420	330
2"	S242	4-1/4" SQ.	25	.032	7 1/4	1	11 1/4	950	660	580	500	430	380	310	250
2"	S243	4-1/4" SQ.	32	.032	7 1/4	1	11 1/4	1130	780	690	600	510	450	370	290

* Male NPT threads furnished on steel elements. Please use domestic fittings for proper installation.