

# CLASSIC

## Submittal

JVB-ARS14, 20 & 24  
Classic Architectural  
Copper/Aluminum and  
Steel Elements

### Specification

JVB Slip Jointed Enclosure

**ENCLOSURE:**

- STYLE: Classic Slope  
 OUTLET: Extruded Aluminum Pencil Proof
- LENGTHS: 2'0" thru 8'0" in 6" Increments  
 MAT'L:  16 Ga. CRS (Std)  
 14 Ga. CRS (Opt'l)  
 16 Ga. Stainless Steel (Opt'l)  
 14 Ga. Stainless Steel (Opt'l)  
 14 Ga. Aluminum (Opt'l)  
 12 Ga. Aluminum (Opt'l)
- HEIGHT:  14"  
 20"  
 24"
- FINISH:  Baked Powder (Std)  
 Baked Metallic

**ELEMENT:**

- TYPE:  Cu/Al (Mechanically Expanded)  
 LENGTHS: 2'0" thru 12'6" in 1" Increments for 1" & 1-1/4" Cu.  
 2'0" thru 8'0" in 1" Increments for 3/4" Cu.
- One End Flared, (Std)
- TYPE:  IPS Steel (Mechanically Expanded)  
 LENGTHS: 2'0" Thru 12'0" in 1" Increments  
 NPT Thread Both Ends (Std)  
 Beveled Ends for Field Weld
- See Catalog for Working Pressures

**BACKPLATE:**

- TYPE:  Partial B/P  
 LENGTHS: 8'0" Only  
 MAT'L:  20 Ga. Prepainted (Std)  
 18 Ga. Galvannealed (Opt'l)
- TYPE:  Full Ht. B/P (Opt'l)  
 LENGTHS: 2'0" thru 8'0" in 6" Increments  
 MAT'L:  20 Ga. Galvannealed (Opt'l)  
 20 Ga. Painted (Opt'l)  
 18 Ga. Painted (Opt'l)

**AIRSEAL:**

- 1/8" x 3/8" Closed Cell (Opt'l)

**BRACKETS:**

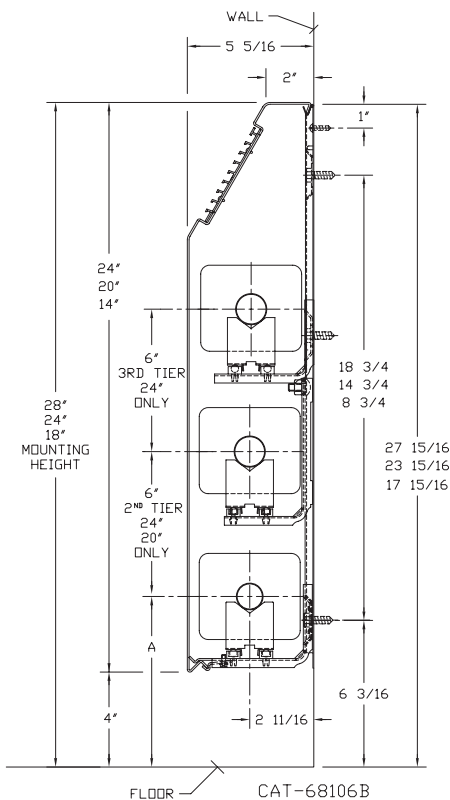
- Water Brkt w/B.B.  
 Steam Brkt w/Brkt Mtd B.B. Hgr  
 Wall Brkt w/B.B. Hgr (For 3rd Tier)

**ACCESSORIES:**

All Accessories are Overlapping Type  
 All accessories return to the wall at the bottom and have pre-punched holes for fastening to the wall

**DAMPER:** Not Available

**JVB-ARS14, 20 & 24**



ELEMENT TUBE SIZE	FIN SIZE HEIGHT x WIDTH	CRADLE NUMBER	A
3/4 COPPER	3 5/8 x 4 1/4	2	7"
3/4 COPPER	4 1/4 x 4 1/4	3A	7 3/8"
1" COPPER	3 5/8 x 4 1/4	2	7 3/16"
1" COPPER	4 1/4 x 4 1/4	2	7 3/16"
1 1/4 COPPER	3 5/8 x 4 1/4	2	7 5/16"
1 1/4 COPPER	4 1/4 x 4 1/4	2	7 5/16"
1" STEEL	4 1/4 x 4 1/4	2	7 5/16"
1 1/4 STEEL	4 1/4 x 4 1/4	2	7 1/2"
2" STEEL	4 1/4 x 4 1/4	1	7 1/4"



**STERLING**

COMMERCIAL HYDRONIC PRODUCTS

260 North Elm St., Westfield, MA 01085

(413) 564-5535 Fax: (413) 562-8437

www.sterlingheat.com



PROJECT: \_\_\_\_\_ DATE: \_\_\_\_\_

LOCATION: \_\_\_\_\_

ARCHITECT: \_\_\_\_\_

ENGINEER: \_\_\_\_\_

CONTRACTOR: \_\_\_\_\_

PO NUMBER: \_\_\_\_\_

# STYLE JVB-ARS14, 20 & 24

## COPPER/ALUMINUM ELEMENT RATINGS

ALL RATINGS ARE BASED ON 3 FPS WATER VELOCITY, 65° EAT.

TUBE SIZE	CATALOG DESIGNATION	FIN SIZE HEIGHT X WIDTH	FIN PER FT.	FIN THICKNESS	ENCL. HEIGHT	TIERS AND CENTERS	MTG. HEIGHT	STEAM RATING 215°F, 65°F E. A. T. BTU/FT/HR	HOT WATER RATINGS BTU/FT/HR AWT						
									180°	170°	160°	150°	140°	130°	120°
									0.69	0.61	0.53	0.45	.40	.33	.26
3/4"	C3/4-433	3-5/8" x 4-1/4"	32	.020	14"	1	18"	1520	1050	930	810	680	610	500	400
					20"	1	24"	1600	1100	980	850	720	640	530	420
					20"	2-6CL	24"	2480	1710	1510	1310	1120	990	820	640
					24"	1	28"	1670	1150	1020	890	750	670	550	430
					24"	2-6CL	28"	2570	1770	1570	1360	1160	1030	850	670
					24"	3-6CL	28"	2960	2040	1810	1570	1330	1180	980	770
3/4"	C3/4-434	3-5/8" x 4-1/4"	40	.020	14"	1	18"	1700	1170	1040	900	770	680	560	440
					20"	1	24"	1820	1260	1110	960	820	730	600	470
					20"	2-6 CL	24"	2580	1780	1570	1370	1160	1030	850	670
					24"	1	28"	1910	1320	1170	1010	860	760	630	500
					24"	2-6 CL	28"	2700	1860	1650	1430	1220	1080	890	700
					24"	3-6 CL	28"	3080	2130	1880	1630	1390	1230	1020	800
3/4"	C3/4-435	3-5/8" x 4-1/4"	50	.020	14"	1	18"	1840	1270	1120	980	830	740	610	480
					20"	1	24"	2090	1440	1270	1110	940	840	690	540
					20"	2-6 CL	24"	2820	1950	1720	1490	1270	1130	930	730
					24"	1	28"	2260	1560	1380	1200	1020	900	750	590
					24"	2-6 CL	28"	3110	2150	1900	1650	1400	1240	1030	810
					24"	3-6 CL	28"	3510	2420	2140	1860	1580	1400	1160	910
1"	C433	3-5/8" x 4-1/4"	32	.020	14"	1	18"	1540	1060	940	820	690	620	510	400
					20"	1	24"	1620	1120	990	860	730	650	530	420
					20"	2-6 CL	24"	2500	1720	1530	1330	1130	1000	830	650
					24"	1	28"	1690	1170	1030	900	760	680	560	440
					24"	2-6 CL	28"	2590	1790	1580	1370	1170	1040	850	670
					24"	3-6 CL	28"	2980	2060	1820	1580	1340	1190	980	770
1"	C434	3-5/8" x 4-1/4"	40	.020	14"	1	18"	1780	1230	1090	940	800	710	590	460
					20"	1	24"	1900	1310	1160	1010	860	760	630	490
					20"	2-6 CL	24"	2660	1840	1620	1410	1200	1060	880	690
					24"	1	28"	1990	1370	1210	1050	900	800	660	520
					24"	2-6 CL	28"	2770	1910	1690	1470	1250	1110	910	720
					24"	3-6 CL	28"	3160	2180	1930	1670	1420	1260	1040	820
1"	C435	3-5/8" x 4-1/4"	50	.020	14"	1	18"	1930	1330	1180	1020	870	770	640	500
					20"	1	24"	2180	1500	1330	1160	980	870	720	570
					20"	2-6 CL	24"	2640	1820	1610	1400	1190	1060	870	690
					24"	1	28"	2360	1630	1440	1250	1060	940	780	610
					24"	2-6 CL	28"	2910	2010	1780	1540	1310	1160	960	760
					24"	3-6 CL	28"	3290	2270	2010	1740	1480	1320	1090	860
1-1/4"	C1433	3-5/8" x 4-1/4"	32	.020	14"	1	18"	1450	1000	880	770	650	580	480	380
					20"	1	24"	1530	1060	930	810	690	610	500	400
					20"	2-6 CL	24"	2360	1630	1440	1250	1060	940	780	610
					24"	1	28"	1590	1100	970	840	720	640	520	410
					24"	2-6 CL	28"	2450	1690	1490	1300	1100	980	810	640
					24"	3-6 CL	28"	2820	1950	1720	1490	1270	1130	930	730
1-1/4"	C1434	3-5/8" x 4-1/4"	40	.020	14"	1	18"	1740	1200	1060	920	780	700	570	450
					20"	1	24"	1880	1300	1150	1000	850	750	620	490
					20"	2-6 CL	24"	2610	1800	1590	1380	1170	1040	860	680
					24"	1	28"	1950	1350	1190	1030	880	780	640	510
					24"	2-6 CL	28"	2710	1870	1650	1440	1220	1080	890	700
					24"	3-6 CL	28"	3090	2130	1880	1640	1390	1240	1020	800
1-1/4"	C1435	3-5/8" x 4-1/4"	50	.020	14"	1	18"	1860	1280	1130	990	840	740	610	480
					20"	1	24"	2130	1470	1300	1130	960	850	700	550
					20"	2-6 CL	24"	2510	1730	1530	1330	1130	1000	830	650
					24"	1	28"	2270	1570	1380	1200	1020	910	750	590
					24"	2-6 CL	28"	2810	1940	1710	1490	1260	1120	930	730
					24"	3-6 CL	28"	3180	2190	1940	1690	1430	1270	1050	830

# STYLE JVB-ARS14, 20 & 24

## COPPER/ALUMINUM ELEMENT RATINGS

ALL RATINGS ARE BASED ON 3 FPS WATER VELOCITY, 65° EAT.

TUBE SIZE	CATALOG DESIGNATION	FIN SIZE HEIGHT X WIDTH	FIN PER FT.	FIN THICKNESS	ENCL. HEIGHT	TIERS AND CENTERS	MTG. HEIGHT	STEAM RATING 215°F, 65°F E. A. T. BTU/FT/HR	HOT WATER RATINGS BTU/FT/HR AWT						
									180°	170°	160°	150°	140°	130°	120°
									0.69	0.61	0.53	0.45	.40	.33	.26
3/4"	C3/4-43	4-1/4" SQ.	32	.020	14"	1	18"	1630	1120	990	860	730	650	540	420
					20"	1	24"	1720	1190	1050	910	770	690	570	450
					20"	2-6 CL	24"	2630	1810	1600	1390	1180	1050	870	680
					24"	1	28"	1790	1240	1090	950	810	720	590	470
					24"	2-6 CL	28"	2810	1940	1710	1490	1260	1120	930	730
3/4"	C3/4-44	4-1/4" SQ.	40	.020	14"	1	18"	2030	1280	1130	990	840	740	610	480
					20"	1	24"	2200	1390	1230	1070	910	810	670	530
					20"	2-6 CL	24"	2910	1840	1630	1420	1200	1070	880	690
					24"	1	28"	2340	1480	1310	1130	960	860	710	560
					24"	2-6 CL	28"	3200	2020	1790	1550	1320	1170	970	760
3/4"	C3/4-45	4-1/4" SQ.	50	.020	14"	1	18"	2040	1410	1240	1080	920	820	670	530
					20"	1	24"	2320	1600	1420	1230	1040	930	770	600
					20"	2-6 CL	24"	3070	2120	1870	1630	1380	1230	1010	800
					24"	1	28"	2470	1700	1510	1310	1110	990	820	640
					24"	2-6 CL	28"	3270	2260	1990	1730	1470	1310	1080	850
1"	C43	4-1/4" SQ.	32	.020	14"	1	18"	1650	1140	1010	870	740	660	540	430
					20"	1	24"	1740	1200	1060	920	780	700	570	450
					20"	2-6 CL	24"	2590	1790	1580	1370	1170	1040	850	670
					24"	1	28"	1810	1250	1100	960	810	720	600	470
					24"	2-6 CL	28"	2830	1950	1730	1500	1270	1130	930	740
1"	C44	4-1/4" SQ.	40	.020	14"	1	18"	1880	1300	1150	1000	850	750	620	490
					20"	1	24"	2040	1410	1240	1080	920	820	670	530
					20"	2-6 CL	24"	2690	1860	1640	1430	1210	1080	890	700
					24"	1	28"	2140	1480	1310	1130	960	860	710	560
					24"	2-6 CL	28"	2920	2010	1780	1550	1310	1170	960	760
1"	C45	4-1/4" SQ.	50	.020	14"	1	18"	2060	1420	1260	1090	930	820	680	540
					20"	1	24"	2340	1610	1430	1240	1050	940	770	610
					20"	2-6 CL	24"	2680	1850	1630	1420	1210	1070	880	700
					24"	1	28"	2510	1730	1530	1330	1130	1000	830	650
					24"	2-6 CL	28"	3000	2070	1830	1590	1350	1200	990	780
1-1/4"	C143	4-1/4" SQ.	32	.020	14"	1	18"	1620	1120	990	860	730	650	530	420
					20"	1	24"	1710	1180	1040	910	770	680	560	440
					20"	2-6 CL	24"	2540	1750	1550	1350	1140	1020	840	660
					24"	1	28"	1770	1220	1080	940	800	710	580	460
					24"	2-6 CL	28"	2780	1920	1700	1470	1250	1110	920	720
1-1/4"	C144	4-1/4" SQ.	40	.020	14"	1	18"	1850	1280	1130	980	830	740	610	480
					20"	1	24"	2000	1380	1220	1060	900	800	660	520
					20"	2-6 CL	24"	2640	1820	1610	1400	1190	1060	870	690
					24"	1	28"	2100	1450	1280	1110	950	840	690	550
					24"	2-6 CL	28"	2870	1980	1750	1520	1290	1150	950	750
1-1/4"	C145	4-1/4" SQ.	50	.020	14"	1	18"	2020	1390	1230	1070	910	810	670	530
					20"	1	24"	2300	1590	1400	1220	1040	920	760	600
					20"	2-6 CL	24"	2630	1810	1600	1390	1180	1050	870	680
					24"	1	28"	2470	1700	1510	1310	1110	990	820	640
					24"	2-6 CL	28"	2950	2040	1800	1560	1330	1180	970	770
1-1/4"	C145	4-1/4" SQ.	50	.020	14"	1	18"	3330	2300	2030	1760	1500	1330	1100	870

# STYLE JVB-ARS14, 20 & 24

## STEEL ELEMENT RATINGS\*

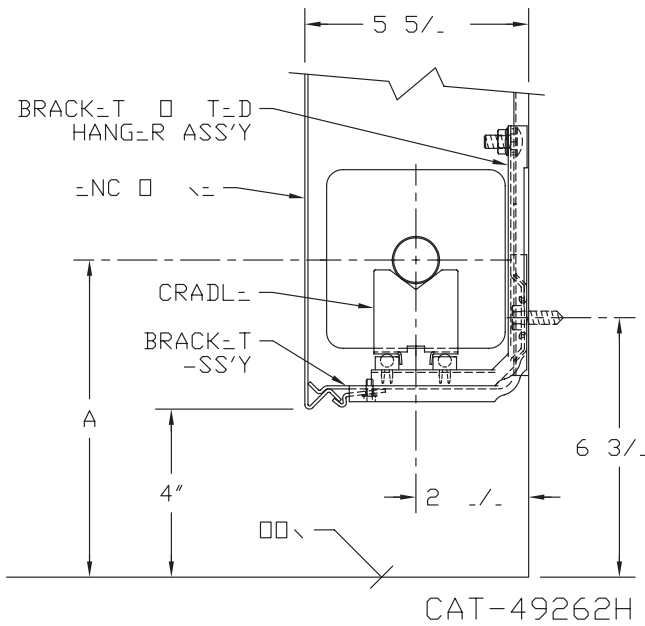
ALL RATINGS ARE BASED ON 3 FPS WATER VELOCITY, 65° EAT.

TUBE SIZE	CATALOG DESIGNATION	FIN SIZE HEIGHT X WIDTH	FIN PER FT.	FIN THICKNESS	ENCL. HEIGHT	TIERS AND CENTERS	MTG. HEIGHT	STEAM RATING 215°F, 65°F E.A.T. BTU/FT/HR	HOT WATER RATINGS BTU/FT/HR AWT						
									180°	170°	160°	150°	140°	130°	120°
									0.69	0.61	0.53	0.45	.40	.33	.26
1"	S43	4-1/4" SQ.	32	.032	14"	1	18"	1410	970	860	750	630	560	470	370
					20"	1	24"	1460	1010	890	770	660	580	480	380
					20"	2-6 CL	24"	2200	1520	1340	1170	990	880	730	570
					24"	1	28"	1500	1040	920	800	680	600	500	390
					24"	2-6 CL	28"	2270	1570	1380	1200	1020	910	750	590
					24"	3-6 CL	28"	2610	1800	1590	1380	1170	1040	860	680
1"	S44	4-1/4" SQ.	40	.032	14"	1	18"	1580	1090	960	840	710	630	520	410
					20"	1	24"	1680	1160	1020	890	760	670	550	440
					20"	2-6 CL	24"	2380	1640	1450	1260	1070	950	790	620
					24"	1	28"	1740	1200	1060	920	780	700	570	450
					24"	2-6 CL	28"	2490	1720	1520	1320	1120	1000	820	650
					24"	3-6 CL	28"	2840	1960	1730	1510	1280	1140	940	740
1"	S45	4-1/4" SQ.	50	.032	14"	1	18"	1655	1140	1010	880	740	660	550	430
					20"	1	24"	1760	1210	1070	930	790	700	580	460
					20"	2-6 CL	24"	2435	1680	1490	1290	1100	970	800	630
					24"	1	28"	1825	1260	1110	970	820	730	600	470
					24"	2-6 CL	28"	2550	1760	1560	1350	1150	1020	840	660
					24"	3-6 CL	28"	2880	1990	1760	1530	1300	1150	950	750
1-1/4"	S143	4-1/4" SQ.	32	.032	14"	1	18"	1400	970	850	740	630	560	460	360
					20"	1	24"	1450	1000	880	770	650	580	480	380
					20"	2-6 CL	24"	2180	1500	1330	1160	980	870	720	570
					24"	1	28"	1490	1030	910	790	670	600	490	390
					24"	2-6 CL	28"	2250	1550	1370	1190	1010	900	740	590
					24"	3-6 CL	28"	2590	1790	1580	1370	1170	1040	850	670
1-1/4"	S144	4-1/4" SQ.	40	.032	14"	1	18"	1570	1080	960	830	710	630	520	410
					20"	1	24"	1670	1150	1020	890	750	670	550	430
					20"	2-6 CL	24"	2370	1640	1450	1260	1070	950	780	620
					24"	1	28"	1730	1190	1060	920	780	690	570	450
					24"	2-6 CL	28"	2480	1710	1510	1310	1120	990	820	640
					24"	3-6 CL	28"	2830	1950	1730	1500	1270	1130	930	740
1-1/4"	S145	4-1/4" SQ.	50	.032	14"	1	18"	1645	1140	1000	870	740	660	540	430
					20"	1	24"	1750	1210	1070	930	790	700	580	460
					20"	2-6 CL	24"	2390	1650	1460	1270	1080	960	790	620
					24"	1	28"	1810	1250	1100	960	810	720	600	470
					24"	2-6 CL	28"	2500	1720	1530	1330	1130	1000	830	650
					24"	3-6 CL	28"	2820	1950	1720	1490	1270	1130	930	730
2"	S242	4-1/4" SQ.	25	.032	14"	1	18"	1200	830	730	640	540	480	400	310
					20"	1	24"	1230	850	750	650	550	490	410	320
					20"	2-6 CL	24"	1930	1330	1180	1020	870	770	640	500
					24"	1	28"	1250	860	760	660	560	500	410	330
					24"	2-6 CL	28"	1940	1340	1180	1030	870	780	640	500
					24"	3-6 CL	28"	2230	1540	1360	1180	1000	890	740	580
2"	S243	4-1/4" SQ.	32	.032	14"	1	18"	1400	970	850	740	630	560	460	360
					20"	1	24"	1450	1000	880	770	650	580	480	380
					20"	2-6 CL	24"	2110	1460	1290	1120	950	840	700	550
					24"	1	28"	1490	1030	910	790	670	600	490	390
					24"	2-6 CL	28"	2180	1500	1330	1160	980	870	720	570
					24"	3-6 CL	28"	2510	1730	1530	1330	1130	1000	830	650

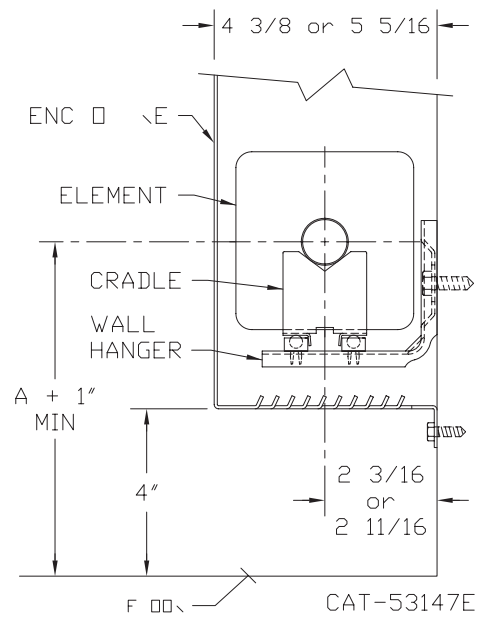
\*NPT threads furnished on steel elements. Please use domestic fittings for proper installation.

# ELEMENT CENTERLINE DIMENSIONS FOR ALTERNATE INSTALLATIONS

## STEAM BRACKET W/ BRACKET MOUNTED HANGER



## WALL MOUNTED BRACKET / LOUVER INLET RETURN TO WALL



TUBING	HEIGHT	CRADLE NUMBER	A	
			I	X
3/4" R	3 5/8 x 4 1/4	3A	7 3/8	8 3/4
	4 1/4 x 4 1/4		7 1/2	9 1/4
1/2" R	1/8 x 4 1/4	2	7 1/2	8 7/8
	4 1/4 x 4 1/4			
1/4" R	3 5/8 x 4 1/4	2	7 5/8	9'
	4 1/4 x 4 1/4			
1/2" ST-L	4 1/4 x 4 1/4		7 5/8	9'
1/4" ST-L	4 1/4 x 4 1/4	2	7 7/8	9 1/4
1/2" ST-L	4 1/4 x 4 1/4		7 5/8	9'