

CLASSIC

Submittal

JVA/VA-AR7
Classic Architectural
Copper/Aluminum and
Steel Elements

Specification

JVA Slip Jointed Enclosure

ENCLOSURE:

- STYLE: Classic
 OUTLET: Extruded Aluminum Grille
 Pencil Proof

LENGTHS: 2'0" thru 8'0" in 6" Increments

- MAT'L: 16 Ga. CRS (Std)
 14 Ga. CRS (Opt'l)
 16 Ga. Stainless Steel (Opt'l)*
 14 Ga. Stainless Steel (Opt'l)*
 14 Ga. Aluminum (Opt'l)
 12 Ga. Aluminum (Opt'l)

*Available on "J" Style Only

- FINISH: Baked Powder (Std)
 Baked Metallic

ACCESSORIES:

- JVA Overlapping Type
 VA Underlapping Type

All accessories return to the wall at the bottom and have pre-punched holes for fastening to the wall.

ELEMENT:

- TYPE: Cu/Al (Mechanically Expanded)
 LENGTHS: 2'0" thru 12'6" in 1" Increments for 1" & 1-1/4" Cu.
 2'0" thru 8'0" in 1" Increments for 3/4" Cu.

One End Flared, (Std)

- TYPE: IPS Steel (Mechanically Expanded)

- LENGTHS: 2'0" Thru 12'0" in 1" Increments
 NPT Thread Both Ends(Std)
 Beveled Ends for Field Weld

See Catalog for Working Pressures

VA Wiped Edge Enclosure

BACKPLATE:

- TYPE: Partial B/P
 LENGTHS: 8'0" Only
 MAT'L: 20 Ga. Prepainted (Std)
 18 Ga. Painted (Opt'l)

- TYPE: Full Ht. B/P (Opt'l)
 LENGTHS: 2'0" thru 8'0" in 6" Increments
 MAT'L: 20 Ga. Galvannealed (Opt'l)
 20 Ga. Painted (Opt'l)
 20 Ga. Painted (Opt'l)
 18 Ga. Painted (Opt'l)

AIRSEAL:

- 1/8" x 3/8" Closed Cell (Opt'l)

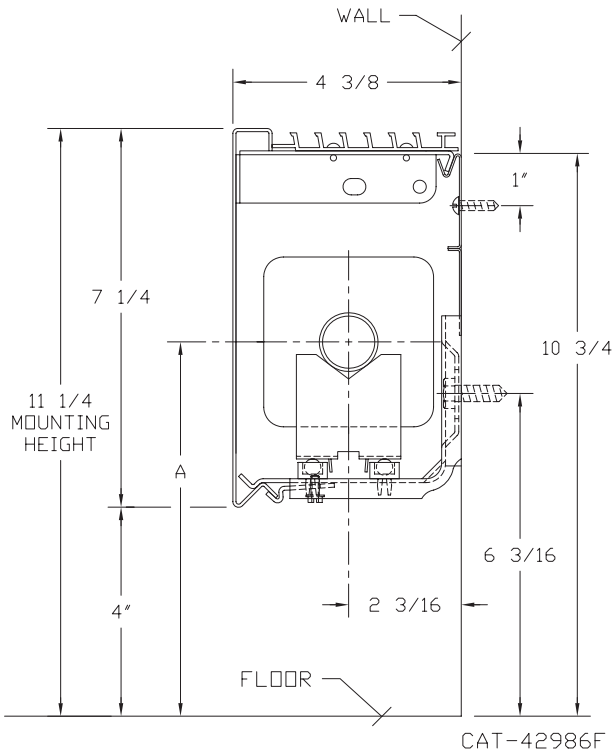
BRACKETS:

- Water Brkt A7

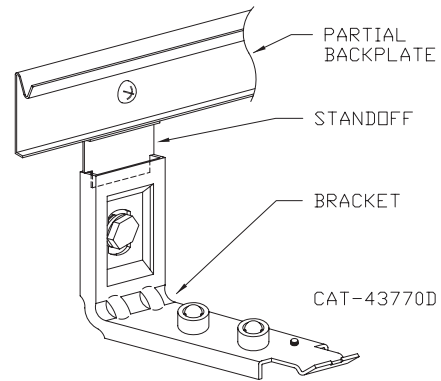
DAMPER:

Not Available

JVA/VA-AR7
(JVA Shown)



ELEMENT TUBE SIZE	FIN SIZE HEIGHT x WIDTH	CRADLE NUMBER	A
3/4" COPPER	3 1/4 x 3 1/4	2	7"
1" COPPER	3 1/4 x 3 1/4	2	7 3/16"
1 1/4" COPPER	3 1/4 x 3 1/4	1	6 5/8"
1" STEEL	3 1/4 x 3 1/4	2	7 5/16"
1 1/4" STEEL	3 1/4 x 3 1/4	1	6 13/16"



COMMERCIAL HYDRONIC PRODUCTS
 260 North Elm St., Westfield, MA 01085
 (413) 564-5535 Fax: (413) 562-8437
 www.sterlingheat.com



PROJECT: _____ DATE: _____
 LOCATION: _____
 ARCHITECT: _____
 ENGINEER: _____
 CONTRACTOR: _____
 PO NUMBER: _____

STYLE JVA/VA-AR7

COPPER/ALUMINUM ELEMENT RATINGS

ALL RATINGS ARE BASED ON 3 FPS WATER VELOCITY, 65° EAT.

TUBE SIZE	CATALOG DESIGNATION	FIN SIZE HEIGHT X WIDTH	FIN PER FT.	FIN THICKNESS	ENCL. HEIGHT	TIERS OF ELEMENT	MTG. HEIGHT	STEAM RATING 215°F, 65°F E.A.T. BTU/FT/HR	HOT WATER RATINGS BTU/FT/HR AWT						
									180°	170°	160°	150°	140°	130°	120°
									0.69	0.61	0.53	0.45	.40	.33	.26
3/4"	C3/4-33	3-1/4" SQ.	32	.020	7-1/4	1	11-1/4	820	570	500	430	370	330	270	210
3/4"	C3/4-34	3-1/4" SQ.	40	.020	7-1/4	1	11-1/4	1000	690	610	530	450	400	330	260
3/4"	C3/4-35	3-1/4" SQ.	50	.020	7-1/4	1	11-1/4	1010	700	620	540	450	400	330	260
1"	C33	3-1/4" SQ.	32	.020	7-1/4	1	11-1/4	840	580	510	450	380	340	280	220
1"	C34	3-1/4" SQ.	40	.020	7-1/4	1	11-1/4	970	670	590	510	440	390	320	250
1"	C35	3-1/4" SQ.	50	.020	7-1/4	1	11-1/4	980	680	600	520	440	390	320	250
1 1/4"	C133	3-1/4" SQ.	32	.020	7-1/4	1	11-1/4	810	560	490	430	360	320	270	210
1 1/4"	C134	3-1/4" SQ.	40	.020	7-1/4	1	11-1/4	930	640	570	490	420	370	310	240
1 1/4"	C135	3-1/4" SQ.	50	.020	7-1/4	1	11-1/4	940	650	570	500	420	380	310	240

Note: Not recommended for steam applications. Consult factory.

STEEL ELEMENT RATINGS*

ALL RATINGS ARE BASED ON 3 FPS WATER VELOCITY, 65° EAT.

I.P.S. SIZE	CATALOG DESIGNATION	FIN SIZE HEIGHT X WIDTH	FIN PER FT.	FIN THICKNESS	ENCL. HEIGHT	TIERS OF ELEMENT	MTG. HEIGHT	STEAM RATING 215°F, 65°F E.A.T. BTU/FT/HR	HOT WATER RATINGS BTU/FT/HR AWT						
									180°	170°	160°	150°	140°	130°	120°
									0.69	0.61	0.53	0.45	.40	.33	.26
1"	S33	3-1/4" SQ.	32	.032	7-1/4	1	11-1/4	780	540	480	410	350	310	260	200
1"	S34	3-1/4" SQ.	40	.032	7-1/4	1	11-1/4	860	590	520	460	390	340	280	220
1"	S35	3-1/4" SQ.	50	.032	7-1/4	1	11-1/4	900	620	550	480	410	360	300	230
1-1/4"	S133	3-1/4" SQ.	32	.032	7-1/4	1	11-1/4	770	530	470	410	350	310	250	200
1-1/4"	S134	3-1/4" SQ.	40	.032	7-1/4	1	11-1/4	870	600	530	460	390	350	290	230
1-1/4"	S135	3-1/4" SQ.	50	.032	7-1/4	1	11-1/4	885	610	540	470	400	350	290	230

* Male NPT threads furnished on steel elements. Please use domestic fittings for proper installation.