

CLASSIC

Submittal

JVA VA AR14
Classic Architectural
Copper/Aluminum and
Steel Elements

Specification

JVA Slip Jointed Enclosure

ENCLOSURE:

STYLE: Classic
OUTLET: Extruded Aluminum Grille
Pencil Proof

LENGTHS: 2' thru 8' in 6" Increments
MAT'L: 16 Ga. CRS STD.

14 Ga. CRS (Opt'l)
FINISH: Baked Enamel Std.
 16 Ga. Stainless Steel (Opt'l)*
 14 Ga. Stainless Steel (Opt'l)*
 14 Ga. Aluminum (Opt'l)
 12 Ga. Aluminum (Opt'l)
* Available on "J" Style only

ACCESSORIES:

JVA Overlapping Type
 VA Underlapping Type

Accessories return to the wall at the bottom and have pre-punched holes for fastening to the wall.

ELEMENT:

TYPE: Cu/Al (Mechanically Expanded)
LENGTHS: 2'0" thru 12'6" in 1" Increments for 1" & 1-1/4"Cu.
2' thru 8' in 1" Increments for 3/4"Cu.

One End Flared, Std.

TYPE: IPS Steel (Mechanically Expanded)
LENGTHS: 2'0" Thru 12'0" in 1" Increments
Note: This applies to all IPS Steel Elements
 NPT Thread both Ends Std.
 Beveled Ends for Field Weld
See Catalog for Working Pressures

VA Wiped Edge Enclosure

BACKPLATE:

TYPE: Partial B/P
LENGTHS: 8' Only
MAT'L: 20 Ga. Prepainted (Opt'l)
 18 Ga. Galvannealed (Opt'l)
 Full Ht. B/P (Opt'l)
2' thru 8' in 6" increments
 20 Ga. Galvannealed (Opt'l)
 18 Ga. Painted (Opt'l)

AIRSEAL:

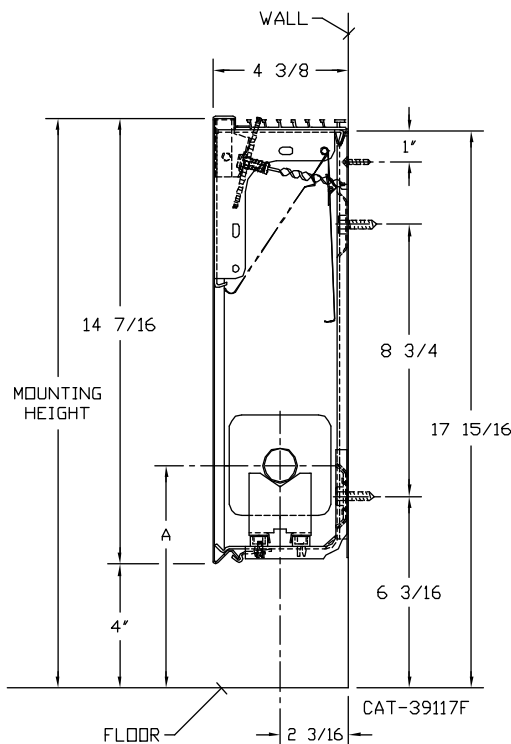
1/8" x 3/8" Closed Cell (Opt'l)

BRACKETS:

Water Brkt w/B.B.
 Steam Brkt w/Brkt Mtd B.B. Hngr

DAMPER:

Dial Type (Opt'l)
 Tamper Resistant (Opt'l)



JVA VA AR14

ELEMENT TUBE SIZE	CRADLE NO.	A
3/4 COPPER	2	7"
1" COPPER	2	7 3/16
1 1/4 COPPER	1	6 5/8
1 1/4 STEEL	1	6 13/16



COMMERCIAL HYDRONIC PRODUCTS
260 North Elm St., Westfield, MA 01085
(413) 564-5535 Fax: (413) 562-8437
www.sterlingheat.com



PROJECT: _____ DATE: _____
LOCATION: _____
ARCHITECT: _____
ENGINEER: _____
CONTRACTOR: _____
PO NUMBER: _____

STYLE "JVA VA-AR14"

Steel Elements†

I.P.S. SIZE	CATALOG DESIGNATION	FIN SIZE	FIN PER FT.	FIN THICKNESS	ENCL DEPTH AND HEIGHT IN INCHES	TIERS AND CENTERS IN INCHES	MTG. HEIGHT IN INCHES	STEAM 215° FACTOR	HOT WATER (AVG.)					
									200°	190°	180°	170°	160°	150°
									FACTOR					
1-1/4"	†S133	3-1/4" SQ.	32	.032"	14A	1	18-7/16	1.00	.86	.78	.69	.61	.53	.45
1-1/4"	†S134	3-1/4" SQ.	40	.032"	14A	1	18-7/16	980	840	760	680	600	520	440

†NPT threads furnished on steel elements. Please use domestic fittings for proper installation.

Copper/Aluminum Elements

TUBE SIZE	CATALOG DESIGNATION	FIN SIZE	FIN PER FT.	FIN THICKNESS	ENCL DEPTH AND HEIGHT IN INCHES	TIERS AND CENTERS IN INCHES	MTG. HEIGHT IN INCHES	STEAM 215° FACTOR	HOT WATER (AVG.)					
									200°	190°	180°	170°	160°	150°
									FACTOR					
3/4"	C3/4-34	3-1/4" SQ.	40	.020"	14A	1	18-7/16	1230	1060	960	850	750	650	550
3/4"	C3/4-35	3-1/4" SQ.	50	.020"	14A	"	"	1370	1180	1070	950	840	730	620
1"	C33	3-1/4" SQ.	32	.020"	14A	"	"	1130	970	880	780	690	600	510
1"	C34	3-1/4" SQ.	40	.020"	14A	"	"	1270	1090	990	880	770	670	570
1"	C35	3-1/4" SQ.	50	.020"	14A	"	"	1320	1140	1030	910	810	700	590
1-1/4"	C133	3-1/4" SQ.	32	.020"	14A	"	"	960	830	750	660	590	510	430
1-1/4"	C134	3-1/4" SQ.	40	.020"	14A	"	"	1130	970	880	780	690	600	510
1-1/4"	C135	3-1/4" SQ.	50	.020"	14A	"	"	1270	1090	990	880	770	670	570

► **Bold, italicized units are  rated** ◀

"A" OFFSET

