

# CLASSIC

## Submittal

JVA-ARS11 & 14  
Classic Architectural  
Copper/Aluminum and  
Steel Elements

### Specification

JVA Slip Jointed Enclosure

**ENCLOSURE:**

- STYLE: Classic Slope  
 OUTLET: Extruded Aluminum  
 Pencil Proof
- LENGTHS: 2'0" thru 8'0" in 6" Increments  
 MAT'L:  16 Ga. CRS (Std)  
 14 Ga. CRS (Opt'l)  
 16 Ga. Stainless Steel (Opt'l)  
 14 Ga. Stainless Steel (Opt'l)  
 14 Ga. Aluminum (Opt'l)  
 12 Ga. Aluminum (Opt'l)
- HEIGHT:  11"  
 14"
- FINISH:  Baked Powder (Std)  
 Baked Metallic

**ACCESSORIES:**

- All Accessories are Overlapping Type  
 All accessories return to the wall at the bottom  
 and have pre-punched holes for fastening to  
 the wall

**ELEMENT:**

- TYPE:  Cu/Al (Mechanically  
 Expanded)
- LENGTHS: 2'0" thru 12'6" in 1" Increments  
 for 1" & 1-1/4" Cu.  
 2'0" thru 8'0" in 1" Increments  
 for 3/4" Cu
- One End Flared, (Std)
- TYPE:  IPS Steel (Mechanically  
 Expanded)
- LENGTHS: 2'0" Thru 12'0" in 1" Increments  
 NPT Thread Both Ends (Std)  
 Beveled Ends for Field Weld
- See Catalog for Working  
 Pressures

**BACKPLATE:**

- TYPE:  Partial B/P  
 LENGTHS: 8'0" Only  
 MAT'L:  20 Ga. Prepainted (Std)  
 18 Ga. Galvannealed (Opt'l)
- TYPE:  Full Ht. B/P (Opt'l)  
 LENGTHS: 2'0" thru 8'0" in 6" Increments  
 MAT'L:  20 Ga. Galvannealed (Opt'l)  
 20 Ga. Painted (Opt'l)  
 18 Ga. Painted (Opt'l)

**AIRSEAL:**

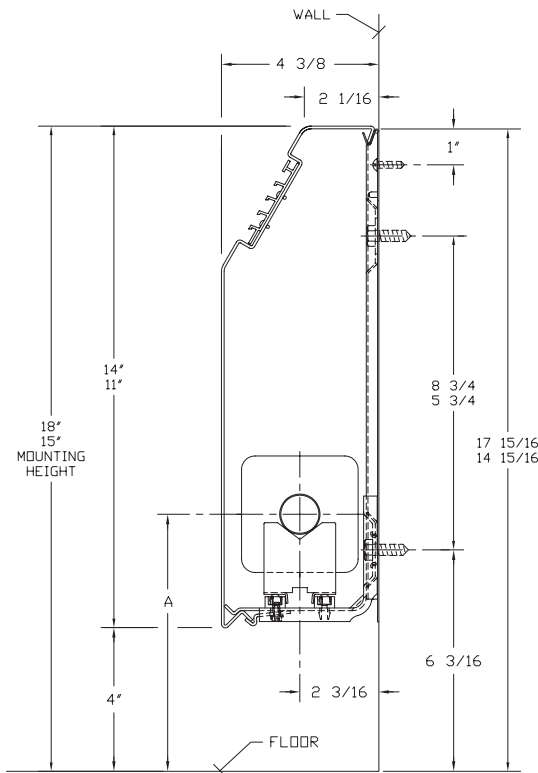
- 1/8" x 3/8" Closed Cell (Opt'l)

**BRACKETS:**

- Water Brkt w/B.B.  
 Steam Brkt w/Brkt Mtd  
 B.B. Hgr

**DAMPER:** Not Available

**JVA-ARS11 & 14**



ELEMENT TUBE SIZE	FIN SIZE HEIGHT x WIDTH	CRADLE NUMBER	A
3/4 COPPER	3 1/4 x 3 1/4	2	7"
1" COPPER	3 1/4 x 3 1/4	2	7 3/16
1 1/4 COPPER	3 1/4 x 3 1/4	1	6 5/8
1" STEEL	3 1/4 x 3 1/4	2	7 5/16
1 1/4 STEEL	3 1/4 x 3 1/4	1	6 13/16



**STERLING**

COMMERCIAL HYDRONIC PRODUCTS

260 North Elm St., Westfield, MA 01085

(413) 564-5535 Fax: (413) 562-8437

www.sterlingheat.com



PROJECT: \_\_\_\_\_ DATE: \_\_\_\_\_

LOCATION: \_\_\_\_\_

ARCHITECT: \_\_\_\_\_

ENGINEER: \_\_\_\_\_

CONTRACTOR: \_\_\_\_\_

PO NUMBER: \_\_\_\_\_

# STYLE JVA-ARS11 & 14

## COPPER/ALUMINUM ELEMENT RATINGS

ALL RATINGS ARE BASED ON 3 FPS WATER VELOCITY, 65° EAT.

TUBE SIZE	CATALOG DESIGNATION	FIN SIZE HEIGHT X WIDTH	FIN PER FT.	FIN THICKNESS	ENCL. HEIGHT	TIERS OF ELEMENT	MTG. HEIGHT	STEAM RATING 215°F, 65°F E.A.T. BTU/FT/HR	HOT WATER RATINGS BTU/FT/HR AWT						
									180°	170°	160°	150°	140°	130°	120°
									0.69	0.61	0.53	0.45	.40	.33	.26
3/4"	C3/4-33	3-1/4" SQ.	32	.020	11"	1	15"	1000	690	610	530	450	400	330	260
3/4"	C3/4-34	3-1/4" SQ.	40	.020	11"	1	15"	1180	810	720	630	530	470	390	310
3/4"	C3/4-35	3-1/4" SQ.	50	.020	11"	1	15"	1320	910	810	700	590	530	440	340
3/4"	R01	2-1/2" x 2-1/4"	50	.011	11"	1	15"	710	490	430	380	320	280	230	180
3/4"	R02	2-1/2" x 2-3/4"	60	.011	11"	1	15"	950	660	580	500	430	380	310	250
3/4"	R04	3-3/4" x 2-3/4"	50	.011	11"	1	15"	980	680	600	520	440	390	320	250
1"	C33	3-1/4" SQ.	32	.020	11"	1	15"	980	680	600	520	440	390	320	250
1"	C34	3-1/4" SQ.	40	.020	11"	1	15"	1150	790	700	610	520	460	380	300
1"	C35	3-1/4" SQ.	50	.020	11"	1	15"	1260	870	770	670	570	500	420	330
1"	R03	2-1/2" x 2-3/4"	55	.011	11"	1	15"	920	630	560	490	410	370	300	240
1"	R05	3-3/4" x 2-3/4"	50	.011	11"	1	15"	990	680	600	520	450	400	330	260
1 1/4"	C133	3-1/4" SQ.	32	.020	11"	1	15"	920	630	560	490	410	370	300	240
1 1/4"	C134	3-1/4" SQ.	40	.020	11"	1	15"	1080	750	660	570	490	430	360	280
1 1/4"	C135	3-1/4" SQ.	50	.020	11"	1	15"	1190	820	730	630	540	480	390	310
3/4"	C3/4-33	3-1/4" SQ.	32	.020	14"	1	18"	1080	750	660	570	490	430	360	280
3/4"	C3/4-34	3-1/4" SQ.	40	.020	14"	1	18"	1290	890	790	680	580	520	430	340
3/4"	C3/4-35	3-1/4" SQ.	50	.020	14"	1	18"	1440	990	880	760	650	580	480	370
1"	C33	3-1/4" SQ.	32	.021	14"	1	18"	1060	730	650	560	480	420	350	280
1"	C34	3-1/4" SQ.	40	.020	14"	1	18"	1250	860	760	660	560	500	410	330
1"	C35	3-1/4" SQ.	50	.020	14"	1	18"	1370	950	840	730	620	550	450	360
1 1/4"	C133	3-1/4" SQ.	32	.020	14"	1	18"	1020	700	620	540	460	410	340	270
1 1/4"	C134	3-1/4" SQ.	40	.020	14"	1	18"	1190	820	730	630	540	480	390	310
1 1/4"	C135	3-1/4" SQ.	50	.020	14"	1	18"	1330	920	810	700	600	530	440	350

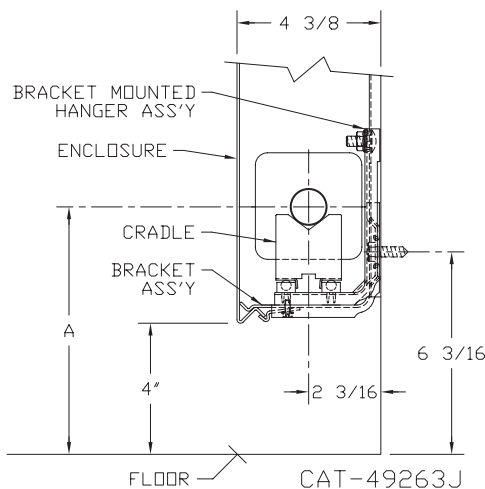
## STEEL ELEMENT RATINGS\*

ALL RATINGS ARE BASED ON 3 FPS WATER VELOCITY, 65° EAT.

I.P.S. SIZE	CATALOG DESIGNATION	FIN SIZE HEIGHT X WIDTH	FIN PER FT.	FIN THICKNESS	ENCL. HEIGHT	TIERS OF ELEMENT	MTG. HEIGHT	STEAM RATING 215°F, 65°F E.A.T. BTU/FT/HR	HOT WATER RATINGS BTU/FT/HR AWT						
									180°	170°	160°	150°	140°	130°	120°
									0.69	0.61	0.53	0.45	.40	.33	.26
1"	R11	3-3/4" x 2-3/4"	40	.024	11"	1	15"	880	610	540	470	400	350	290	230
1"	S33	3-1/4" SQ.	32	.032	11"	1	15"	930	640	570	490	420	370	310	240
1"	S34	3-1/4" SQ.	40	.032	11"	1	15"	990	680	600	520	450	400	330	260
1"	S35	3-1/4" SQ.	50	.032	11"	1	15"	1055	730	640	560	470	420	350	270
1-1/4"	S133	3-1/4" SQ.	32	.032	11"	1	15"	920	630	560	490	410	370	300	240
1-1/4"	S134	3-1/4" SQ.	40	.032	11"	1	15"	1000	690	610	530	450	400	330	260
1-1/4"	S135	3-1/4" SQ.	50	.032	11"	1	15"	1030	710	630	550	460	410	340	270
1"	S33	3-1/4" SQ.	32	.032	14"	1	18"	970	670	590	510	440	390	320	250
1"	S34	3-1/4" SQ.	40	.032	14"	1	18"	1110	770	680	590	500	440	370	290
1"	S35	3-1/4" SQ.	50	.032	14"	1	18"	1180	810	720	630	530	470	390	310
1-1/4"	S133	3-1/4" SQ.	32	.032	14"	1	18"	960	660	590	510	430	380	320	250
1-1/4"	S134	3-1/4" SQ.	40	.032	14"	1	18"	1120	770	680	590	500	450	370	290
1-1/4"	S135	3-1/4" SQ.	50	.032	14"	1	18"	1150	790	700	610	520	460	380	300

\* Male NPT threads furnished on steel elements. Please use domestic fittings for proper installation.

## BRACKET MOUNTED HANGER INSTALLATION FOR STEAM APPLICATIONS



ELEMENT TUBE SIZE	FIN SIZE HEIGHT X WIDTH	CRADLE NUMBER	Δ	
			MIN.	MAX.
3/4" COPPER	3 1/4 x 3 1/4	2	7 3/8	9 5/8
1" COPPER	3 1/4 x 3 1/4	2	7 1/2	9 3/4
1 1/4" COPPER	3 1/4 x 3 1/4	2	7 5/8	9 7/8
1" STEEL	3 1/4 x 3 1/4	2	7 5/8	9 3/4
1 1/4" STEEL	3 1/4 x 3 1/4	1	7 3/16	9 3/8