



260 North Elm Street Westfield, MA 01020

## **CUH Coil Change-Out Procedure:**

Disconnect power from the Cabinet Unit Heater.

Remove Cabinet Unit Heater (CUH) front panel.

Loosen the coil width adjustment screws. Remove the coil bolts (2 per end compartment).

Remove the coil. (Note: If this is a two row coil the motor board and top panel may have to be removed prior to removing the coil.)

Re-install the new coil with the required bracket support plate and coil support plate on each end.

Tighten screws and bolts.

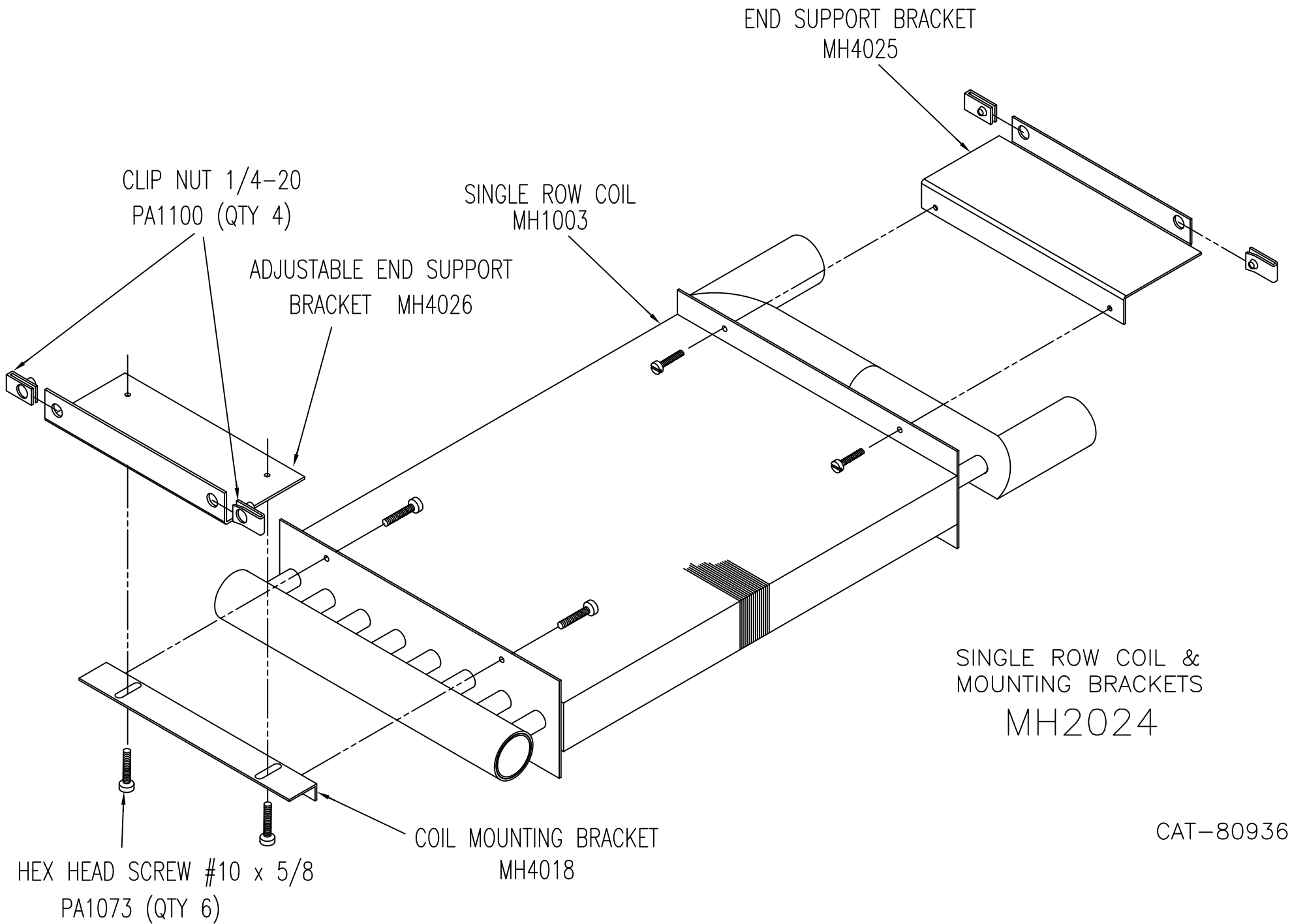
Re-install motor board and top panel if previously removed.

Reconnect power to the Cabinet Unit Heater.

Replace the front panel.

**Make sure that when a different type of replacement coil is being ordered that brackets for that type of coil are requested on the order**

See exploded view of coil and associated parts on next page.



CAT-80936

