

DURAVANE II

Submittal

JDVB 14 20 & 24
DuraVane II Architectural
Copper/Aluminum and
Steel Elements

Specification

JDVB Slip Jointed Enclosure

ENCLOSURE:

- STYLE: DuraVane II
 OUTLET: Extruded Aluminum Pencil Proof
- LENGTHS: 2' thru 8' in 6" Increments
 MAT'L: 16 Ga. CRS STD.
 14 Ga. CRS (Opt'l)
- FINISH Baked Enamel Std.
 16 Ga. Stainless Steel (Opt'l)
 14 Ga. Stainless Steel (Opt'l)
 14 Ga. Aluminum (Opt'l)
 12 Ga. Aluminum (Opt'l)

ACCESSORIES:

- JDVB Overlapping Type
 All accessories have finger tabs at the bottom for easy installation.

ELEMENT:

- TYPE: Cu/Al (Mechanically Expanded)
 LENGTHS: 2'0" thru 12'6" in 1" Increments for 1" & 1-1/4" Cu.
 2' thru 8' in 1" Increments for 3/4" Cu.
- One End Flared, Std.
- TYPE: IPS Steel (Mechanically Expanded)
 LENGTHS: 2'0" thru 12'6" in 1" Increments
 NPT Thread both Ends Std.
 Beveled Ends for Field Weld
 See Catalog for Working Pressures

BACKPLATE:

- TYPE: Partial B/P
 LENGTHS: 8' Only
 MAT'L: 20 Ga. Prepainted Std.
 18 Ga. Galvannealed (Opt'l)
- Full Ht. B/P (Opt'l)
 2' thru 8' in 6" increments
 20 Ga. Galvannealed (Opt'l)
 18 Ga. Painted (Opt'l)

AIRSEAL:

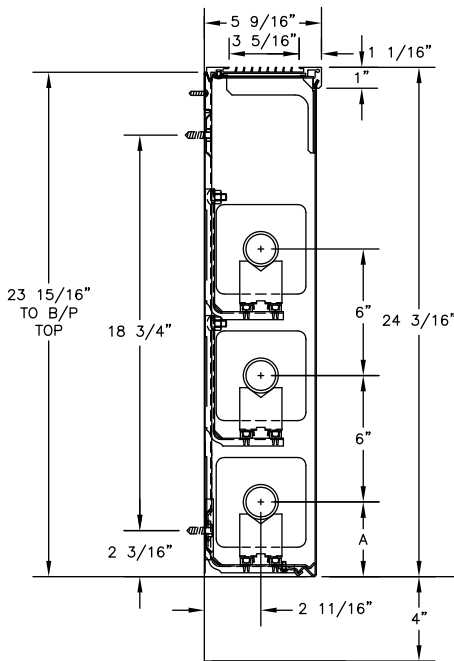
- 1/8" x 3/8" Closed Cell (Opt'l)

BRACKETS:

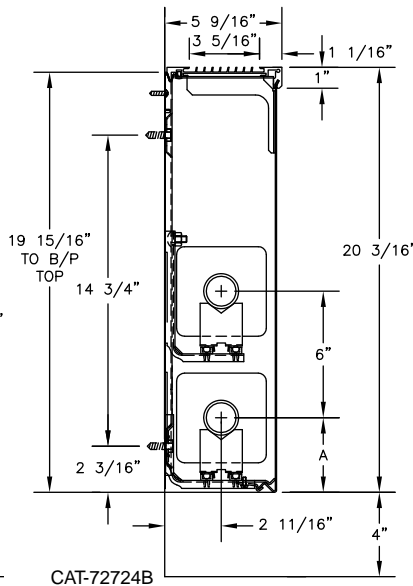
- Water Brakt w/B.B.
 Steam Brkt w/Brkt Mtd B.B. Hngr

ELEMENT TUBE SIZE	CRADLE NO.	A MIN.
3/4" COPPER	2	3
1" COPPER	2	3 3/16
1 1/4" COPPER	2	3 5/16
1 1/4" STEEL	2	3 1/2
2" STEEL	1	3 1/4

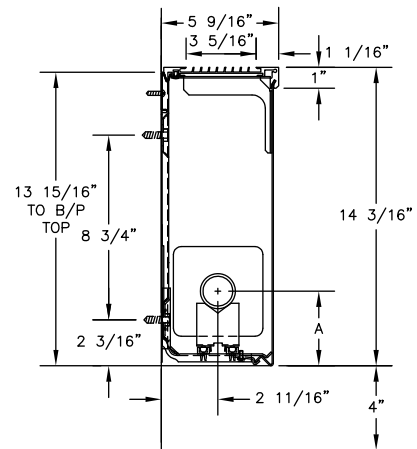
JDVB 24



JDVB 20



JDVB 14



260 North Elm St., Westfield, MA 01085
 (413) 564-5535 Fax: (413) 562-8437
 www.sterlingheat.com



PROJECT: _____ DATE: _____
 LOCATION: _____
 ARCHITECT: _____
 ENGINEER: _____
 CONTRACTOR: _____
 PO NUMBER: _____

STYLES JDVB 14 20 & 24 DURAVANE II

COPPER/ALUMINUM ELEMENT					ENCLOSURE DEPTH IN INCHES	ENCLOSURE HEIGHT IN INCHES	TIERS AND CENTERS IN INCHES	MTG. HEIGHT IN INCHES	STEAM 215° FACTOR	Hot Water (AVG.)					
TUBE SIZE	CATALOG DESIGNATION	FIN SIZE IN INCHES	FIN/FT	FIN THICKNESS						200°	190°	180°	170°	160°	150°
										Factor					
3/4"	C3/4-434	4-1/4 x 3-5/8	40	0.020"	5-9/16	14-3/16	1	18-3/16	1620	1390	1260	1120	990	860	730
						20-3/16	1	24-3/16	1710	1470	1330	1180	1040	910	770
						"	2-6 CL	"	2390	2060	1860	1650	1460	1270	1080
						24-3/16	1	28-3/16	1800	1550	1400	1240	1100	950	810
						"	2-6 CL	"	2490	2140	1940	1720	1520	1320	1120
"	"	2-10 CL	"	2550	2190	1990	1760	1560	1350	1150					
3/4"	C3/4-435	4-1/4 x 3-5/8	50	0.020"	5-9/16	14-3/16	1	18-3/16	1780	1530	1390	1230	1090	940	800
						20-3/16	1	24-3/16	1940	1670	1510	1340	1180	1030	870
						"	2-6 CL	"	2400	2060	1870	1660	1460	1270	1080
						24-3/16	1	28-3/16	2080	1790	1620	1440	1270	1100	940
						"	2-6 CL	"	2530	2180	1970	1750	1540	1340	1140
"	"	2-10 CL	"	2660	2290	2070	1840	1620	1410	1200					
1"	C433	4-1/4 x 3-5/8	32	0.020"	5-9/16	14-3/16	1	18-3/16	1410	1210	1100	970	860	750	630
						20-3/16	1	24-3/16	1450	1250	1130	1000	880	770	650
						"	2-6 CL	"	2320	2000	1810	1600	1420	1230	1040
						24-3/16	1	28-3/16	1480	1270	1150	1020	900	780	670
						"	2-6 CL	"	2410	2070	1880	1660	1470	1280	1080
"	"	2-10 CL	"	2460	2120	1920	1700	1500	1300	1110					
1"	C434	4-1/4 x 3-5/8	40	0.020"	5-9/16	14-3/16	1	18-3/16	1690	1450	1320	1170	1030	900	760
						20-3/16	1	24-3/16	1800	1550	1400	1240	1100	950	810
						"	2-6 CL	"	2510	2160	1960	1730	1530	1330	1130
						24-3/16	1	28-3/16	1890	1630	1470	1300	1150	1000	850
						"	2-6 CL	"	2660	2290	2070	1840	1620	1410	1200
"	"	2-10 CL	"	2770	2380	2160	1910	1690	1470	1250					
1"	C435	4-1/4 x 3-5/8	50	0.020"	5-9/16	14-3/16	1	18-3/16	1850	1590	1440	1280	1130	980	830
						20-3/16	1	24-3/16	2030	1750	1580	1400	1240	1080	910
						"	2-6 CL	"	2510	2160	1960	1730	1530	1330	1130
						24-3/16	1	28-3/16	2170	1870	1690	1500	1320	1150	980
						"	2-6 CL	"	2660	2290	2070	1840	1620	1410	1200
"	"	2-10 CL	"	2770	2380	2160	1910	1690	1470	1250					
1-1/4"	C1433	4-1/4 x 3-5/8	32	0.020"	5-9/16	14-3/16	1	18-3/16	1380	1190	1080	950	840	730	620
						20-3/16	1	24-3/16	1420	1220	1110	980	870	750	640
						"	2-6 CL	"	2280	1960	1780	1570	1390	1210	1030
						24-3/16	1	28-3/16	1450	1250	1130	1000	880	770	650
						"	2-6 CL	"	2370	2040	1850	1640	1450	1260	1070
"	"	2-10 CL	"	2410	2070	1880	1660	1470	1280	1080					
1-1/4"	C1434	4-1/4 x 3-5/8	40	0.020"	5-9/16	14-3/16	1	18-3/16	1660	1430	1290	1150	1010	880	750
						20-3/16	1	24-3/16	1760	1510	1370	1210	1070	930	790
						"	2-6 CL	"	2460	2120	1920	1700	1500	1300	1110
						24-3/16	1	28-3/16	1850	1590	1440	1280	1130	980	830
						"	2-6 CL	"	2600	2240	2030	1790	1590	1380	1170
"	"	2-10 CL	"	2730	2350	2130	1880	1670	1450	1230					
1-1/4"	C1435	4-1/4 x 3-5/8	50	0.020"	5-9/16	14-3/16	1	18-3/16	1760	1510	1370	1210	1070	930	790
						20-3/16	1	24-3/16	1920	1650	1500	1300	1170	1020	860
						"	2-6 CL	"	2370	2040	1850	1640	1450	1260	1070
						24-3/16	1	28-3/16	2050	1760	1600	1420	1250	1090	920
						"	2-6 CL	"	2500	2150	1950	1730	1530	1330	1130
"	"	2-10 CL	"	2630	2260	2050	1820	1600	1390	1180					

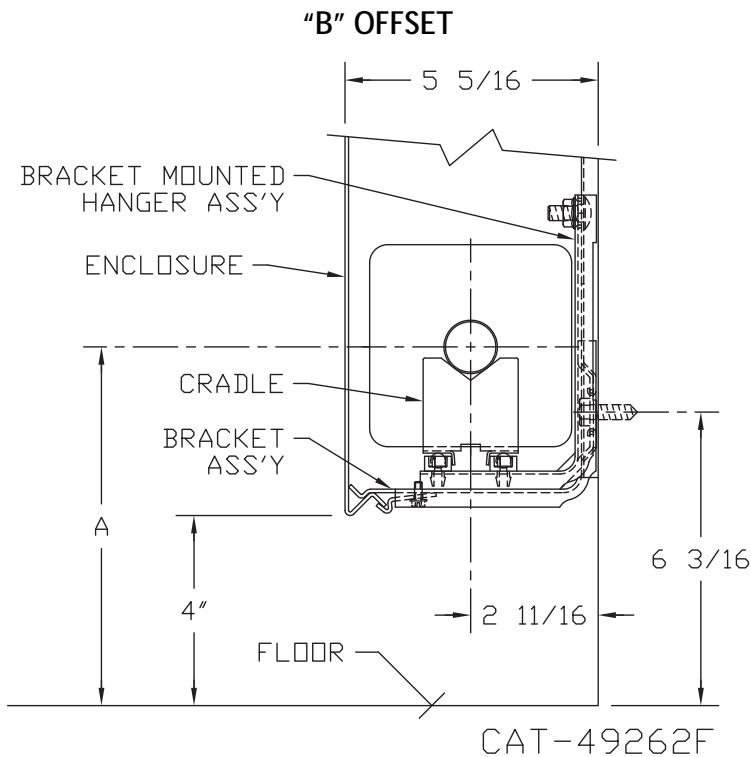
STYLES JDVB 14 20 & 24 DURAVANE II

COPPER/ALUMINUM ELEMENT					ENCLOSURE DEPTH IN INCHES	ENCLOSURE HEIGHT IN INCHES	TIERS AND CENTERS IN INCHES	MTG. HEIGHT IN INCHES	STEAM 215° FACTOR	Hot Water (AVG.)					
TUBE SIZE	CATALOG DESIGNATION	FIN SIZE IN INCHES	FIN/FT	FIN THICKNESS						200°	190°	180°	170°	160°	150°
										Factor					
1"	C43	4-1/4" SQ.	32	0.020"	5-9/16	14-3/16	1	18-3/16	1470	1260	1150	1010	900	780	660
						20-3/16	1	24-3/16	1540	1320	1200	1060	940	820	690
						"	2-6 CL	"	2340	2010	1830	1610	1430	1240	1050
						24-3/16	1	28-3/16	1580	1360	1230	1090	960	840	710
						"	2-6 CL	"	2440	2100	1900	1680	1490	1290	1100
"	2-10 CL	"	2490	2140	1940	1720	1520	1320	1120						
1"	C44	4-1/4" SQ.	40	0.020"	5-9/16	14-3/16	1	18-3/16	1720	1480	1340	1190	1050	910	770
						20-3/16	1	24-3/16	1810	1560	1410	1250	1100	960	810
						"	2-6 CL	"	2510	2160	1960	1730	1530	1330	1130
						24-3/16	1	28-3/16	1920	1650	1500	1320	1170	1020	860
						"	2-6 CL	"	2600	2240	2030	1790	1590	1380	1170
"	2-10 CL	"	2660	2290	2070	1840	1620	1410	1200						
1"	C45	4-1/4" SQ.	50	0.020"	5-9/16	14-3/16	1	18-3/16	1900	1630	1480	1310	1160	1010	860
						20-3/16	1	24-3/16	2090	1800	1630	1440	1270	1110	940
						"	2-6 CL	"	2510	2160	1960	1730	1530	1330	1130
						24-3/16	1	28-3/16	2250	1940	1760	1550	1370	1190	1010
						"	2-6 CL	"	2710	2330	2110	1870	1650	1440	1220
"	2-10 CL	"	2830	2430	2210	1950	1730	1500	1270						
1-1/4"	C143	4-1/4" SQ.	32	0.020"	5-9/16	14-3/16	1	18-3/16	1440	1240	1120	990	880	760	650
						20-3/16	1	24-3/16	1510	1300	1180	1040	920	800	680
						"	2-6 CL	"	2300	1980	1790	1590	1400	1220	1040
						24-3/16	1	28-3/16	1550	1330	1210	1070	950	820	700
						"	2-6 CL	"	2390	2060	1860	1650	1460	1270	1080
"	2-10 CL	"	2440	2100	1900	1680	1490	1290	1100						
1-1/4"	C144	4-1/4" SQ.	40	0.020"	5-9/16	14-3/16	1	18-3/16	1690	1450	1320	1170	1030	900	760
						20-3/16	1	24-3/16	1780	1530	1390	1230	1090	940	800
						"	2-6 CL	"	2460	2120	1920	1700	1500	1300	1110
						24-3/16	1	28-3/16	1890	1630	1470	1300	1150	1000	850
						"	2-6 CL	"	2550	2190	1990	1760	1560	1350	1150
"	2-10 CL	"	2620	2250	2040	1810	1600	1390	1180						
1-1/4"	C145	4-1/4" SQ.	50	0.020"	5-9/16	14-3/16	1	18-3/16	1870	1610	1460	1290	1140	990	840
						20-3/16	1	24-3/16	2050	1760	1600	1410	1250	1090	920
						"	2-6 CL	"	2460	2120	1920	1700	1500	1300	1110
						24-3/16	*1	28-3/16	2210	1900	1720	1520	1350	1170	990
						"	2-6 CL	"	2650	2280	2070	1830	1620	1400	1190
"	2-10 CL	"	2780	2390	2170	1920	1700	1470	1250						

STYLES JDVB 14 20 & 24 DURAVANE II

STEEL ELEMENT					ENCLOSURE DEPTH IN INCHES	ENCLOSURE HEIGHT IN INCHES	TIERS AND CENTERS IN INCHES	MTG. HEIGHT IN INCHES	STEAM 215° FACTOR	Hot Water (AVG.)					
I.P.S. SIZE	CATALOG DESIGNATION	FIN SIZE IN INCHES	FIN/FT	FIN THICKNESS						200°	190°	180°	170°	160°	150°
										Factor					
1-1/4"	†S143	4-1/4" SQ.	32	0.032"	5-9/16	14-3/16	1	18-3/16	1200	1030	940	830	730	640	540
						20-3/16	1	24-3/16	1260	1080	980	870	770	670	570
						"	2-6 CL	"	2060	1770	1610	1420	1260	1090	930
						24-3/16	1	28-3/16	1300	1120	1010	900	790	690	580
						"	2-6 CL	"	2100	1810	1640	1450	1280	1110	950
						"	2-10 CL	"	2180	1880	1700	1500	1330	1160	980
1-1/4"	†S144	4-1/4" SQ.	40	0.032"	5-9/16	14-3/16	1	18-3/16	1430	1230	1120	990	870	760	640
						20-3/16	1	24-3/16	1520	1310	1190	1050	930	810	680
						"	2-6 CL	"	2240	1930	1750	1550	1370	1190	1010
						24-3/16	1	28-3/16	1590	1370	1240	1100	970	840	720
						"	2-6 CL	"	2300	1980	1790	1590	1400	1210	1040
						"	2-10 CL	"	2460	2120	1920	1700	1500	1300	1110
2"	†S242	4-1/4" SQ.	25	0.032"	5-9/16	14-3/16	1	18-3/16	1090	940	850	750	670	580	490
						20-3/16	1	24-3/16	1130	970	880	780	690	600	510
						"	2-6 CL	"	1830	1570	1430	1260	1120	970	820
						24-3/16	1	28-3/16	1150	990	900	790	700	610	520
						"	2-6 CL	"	1850	1590	1440	1280	1130	980	830
						"	2-10 CL	"	1960	1690	1530	1350	1200	1040	880
2"	†S243	4-1/4" SQ.	32	0.032"	5-9/16	14-3/16	1	18-3/16	1290	1110	1010	890	790	680	580
						20-3/16	1	24-3/16	1330	1140	1040	920	810	710	600
						"	2-6 CL	"	2030	1750	1580	1400	1240	1080	910
						24-3/16	1	28-3/16	1380	1190	1080	950	840	730	620
						"	2-6 CL	"	2060	1770	1610	1420	1260	1090	930
						"	2-10 CL	"	2210	1900	1720	1530	1350	1170	1000

†NPT threads furnished on steel elements. Please use domestic fittings for proper installation.



ELEMENT TUBE SIZE	CRADLE NO.	A MIN	A MAX
3/4" COPPER	2	7 3/8	8 3/4
1" COPPER	2	7 1/2	8 7/8
1 1/4" COPPER	2	7 5/8	9"
1 1/4" STEEL	2	7 7/8	9 1/4
2" STEEL	1	7 5/8	9"