



J Series

SpacePak's J Series air handlers feature high efficiency variable speed EC motors for consistent air flow delivery even at reduced speeds. When coupled with 2-stage condensers, the J Series offer improved efficiencies over standard single speed PSC motors, resulting in greater comfort in all operating modes with substantially reduced energy costs.



EC Integrated Motor/Blower Assembly



Field Adjustable Motor Staging

SpacePak, the original small duct heating and cooling manufacturer, makes it possible to install central cooling, heating and air circulation in any home or small business, regardless of structure design, age, size or type of construction.

Features and Benefits

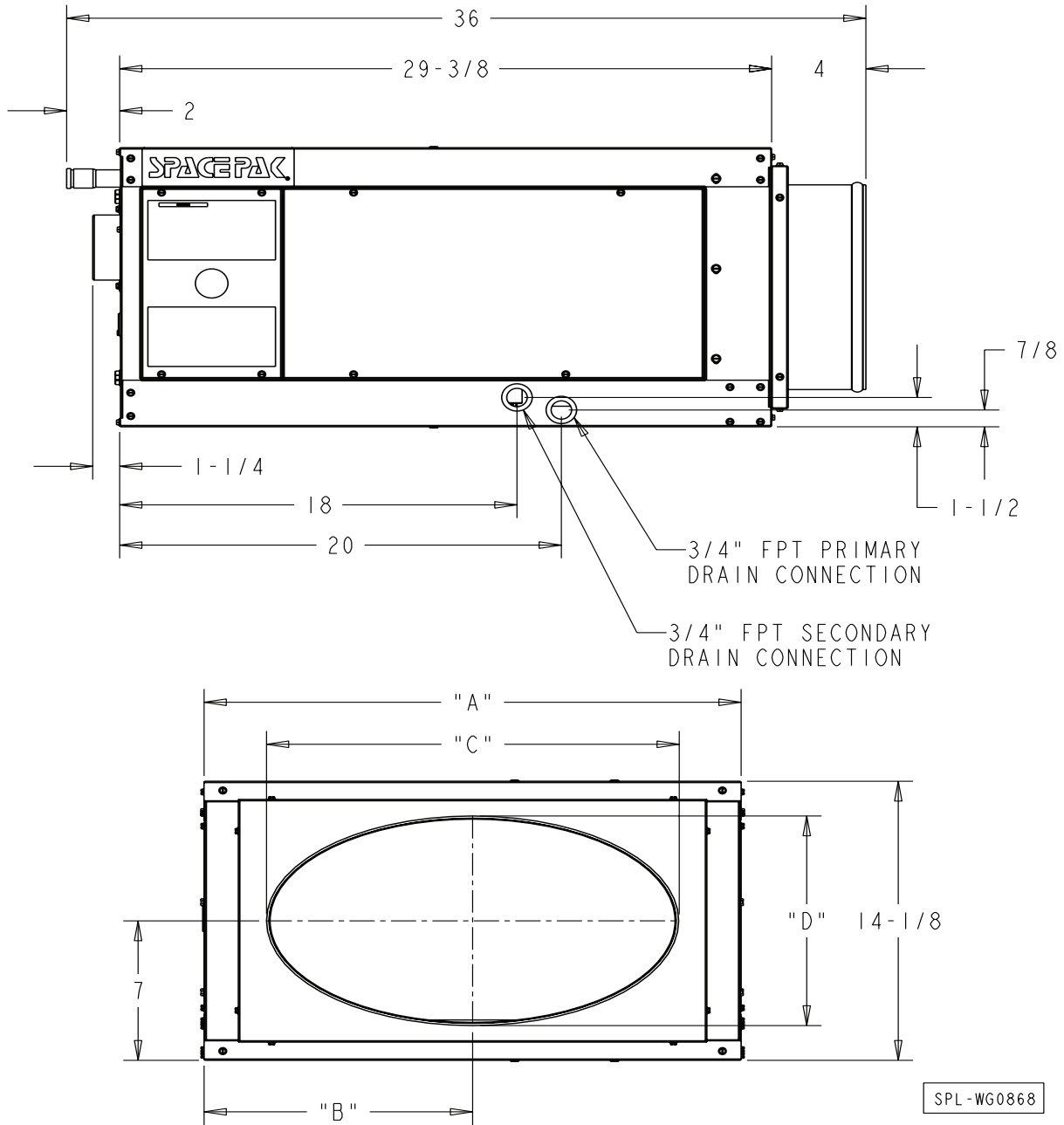
- High Efficiency EC Motor/Blower Technology
- Easy Field Adjustable Motor Staging
- 230V Standard Configuration Optional 115V Conversion
- Heat Pump Compatible
- Thermal Expansion Valve (TXV)
- Factory Installed Chatleff Fitting for TXV
- Anti-Frost Control
- Integrated Control Board
- 6-Row Copper/Aluminum Evaporator Coil
- Sweat-Type Refrigerant Connections
- Insulated Grey Cabinet
- Float Switch
- Condensate Trap
- Mold Resistant Primary Drain Pan
- Anti-Vibration Foam Strips
- Mode Specific Adjustable Speed Control

www.spacepak.com

260 North Elm Street | Westfield, MA 01085



J Series Unit Dimensions



J Series Unit Dimensions

Model	A	B	C	D
ESP-2430J	24-1/4"	12"	18-1/2"	10-1/2"
ESP-3642J	33-1/4"	16-1/2"	25-3/4"	10"
ESP-4860J	43-1/4"	21-1/2"	34-1/4"	10-1/4"



260 North Elm Street
 Westfield, Ma 01085
 (800) 465-8558
 Fax (413) 564-5815
www.spacepak.com

7555 Tranmere Drive
 Mississauga, Ontario L5S 1L4 Canada
 (905) 670-5888
 Fax (905) 670-5782