

**Low Ambient Air to Water Reverse Cycle Heat Pump**

**STANDARD FEATURES**

- Hermetically Sealed EVI Compressor
- Self-Diagnostic Control – Factory Programmed Two Variable Speed Fans
- Brazed-plate Refrigerant-to-Water Heat Ex.
- Quiet Operation – 62dB
- R410A Refrigerant
- 208-230/1/60
- Durable Powder Coated Finish
- 64,680 BTU/hr at 47°F Ambient
- Configurable Defrost Logic
- Optimized for Buffer Tank Installation



**MODEL:** LAHP48 Qty. \_\_\_\_\_

Model	LAHP - 048	COP
Heating Capacity (47°F Ambient, 120°F Supply Water)	64,680 BTUh (18.9 kW)	3.18
Heating Capacity (17°F Ambient, 120°F Supply Water)	46,440 BTUh (13.6 kW)	2.35
Heating Capacity (5°F Ambient, 120°F Supply Water)	39,240 BTUh (11.5 kW)	2.35
Cooling Capacity (95°F Ambient, 44°F Supply Water)	40,000 BTUh (11.7 kW)	2.43
Voltage	230V/1ph/60Hz	
Min Supply Temp	42°F (5.5°C)	
Max Supply Temp	125°F (52°C)	
Min Water Flow	10 GPM (37.8 l/min)	
Nominal Water Flow	12 GPM (45.4 l/min)	
dP@ Max Flow	17.2 ft (35.8 kPa)	
Heating Current	31 Amps	
Cooling Current	23.5 Amps	
Noise Level	62 dB (A)	
Compressor	Scroll	
Installed Weight	386 lbs (175 Kg)	



260 North Elm St., Westfield, MA 01085  
 (800) 465-8558 Fax: (413) 564-5815

7555 Tranmere Drive, Mississauga, ONT. L5S 1L4 Canada  
 (905) 670-5888 Fax: (905) 670-5782

www.spacepak.com

**PROJECT:** \_\_\_\_\_ **DATE:** \_\_\_\_\_

**LOCATION:** \_\_\_\_\_

**CUSTOMER:** \_\_\_\_\_

**ENGINEER:** \_\_\_\_\_

**SUBMITTED BY:** \_\_\_\_\_

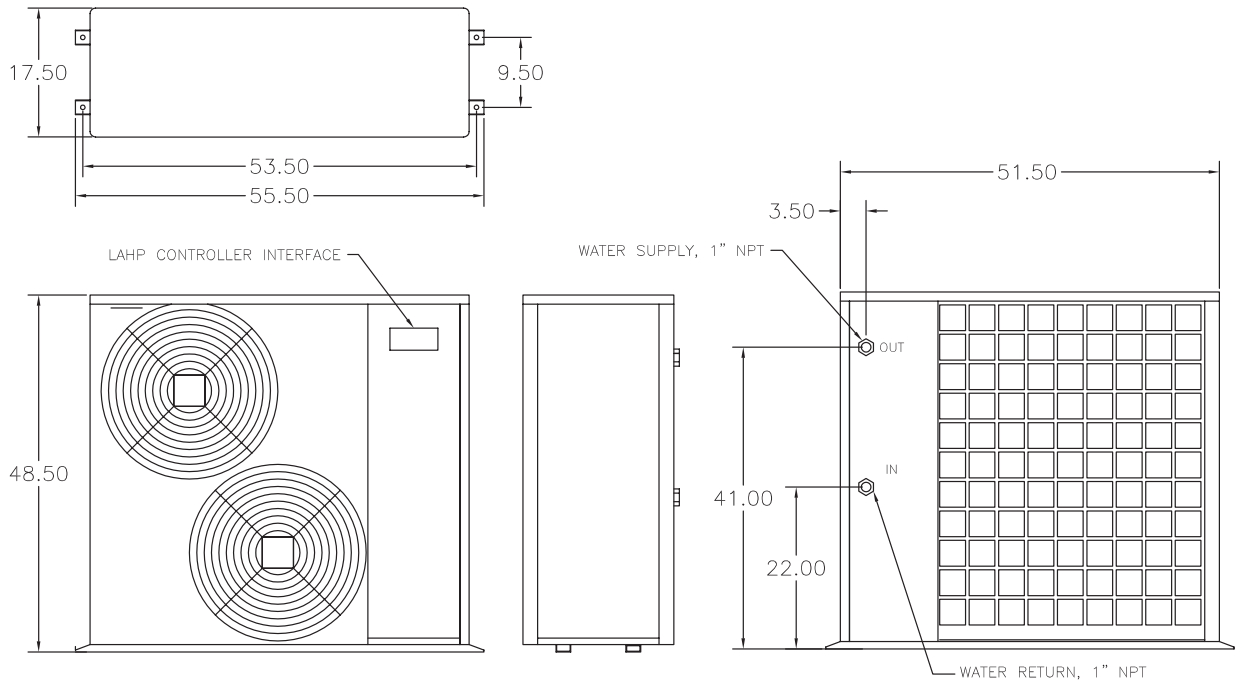
**FOR:**             Reference             Approval             Construction

**UNIT DESIGNATION:** \_\_\_\_\_

**SCHEDULE NUMBER:** \_\_\_\_\_

# SUBMITTAL DATA: Heat Pump LAHP48 Series

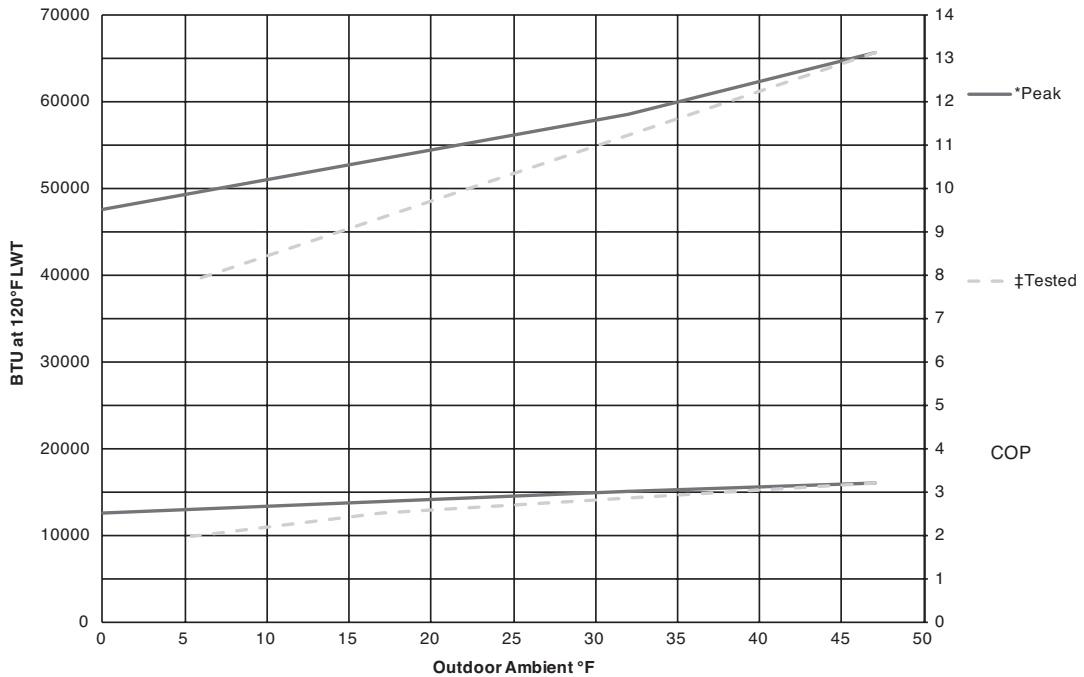
## DIMENSIONS



All dimensions in inches

SPL-WG0778

## LAHP Heating Performance



Heating performance at Ambient temperature and 120°F water supply  
 \*Peak performance is steady state without capacity drop due to frosting and/or defrosting  
 ‡Tested performance is per AHRI 550/590 including frosting/defrosting affect.