

**Air to Water Reverse Cycle Heat Pump**

**STANDARD FEATURES**

- Dual System Programmable Compressor (Two Separate Refrigerant Circuits)
- Simple Piping & Plumbing
- Easily Zoned
- 30% Larger Condenser Coil than Traditional Units
- Self Diagnostic Control – Carel Factory Programmed – Field Adjustable
- Simplified Installation & Ease of Service
- Quiet Operation
- Highest R-410A COP and EER
- No Refrigerant Handling
- Refrigerant Stays Outside the Building
- Low Ambient Antifreeze Protection
- 30% Less Refrigerant than Conventional Split System
- Durable Baked Enamel Finish
- Low Ambient Cooling Enabled
- Automatic Lead/Lag between Compressors
- Easy Service Access



**MODEL:** SCM036A4 Qty. \_\_\_\_\_ **MODEL:** SCM060A4 Qty. \_\_\_\_\_

Model	SCM - 036	SCM - 060
Heating Capacity	36,840 BTUh (10.8 kW)	52,200 BTUh (15.3 kW)
Heating COP	2.65	2.65
Cooling Capacity	36,000 BTUh (10.5 kW)	48,000 BTUh (14.1 kW)
Voltage	230v/1ph/60Hz	230v/1ph/60Hz
Min Supply Temp	36°F (2.2°C)	36°F (2.2°C)
Max Supply Temp	125°F (51.7°C)	125°F (51.7°C)
Min Water Flow	7 GPM (26.5 l/Min)	10 GPM (37.9 l/Min)
Rated Water Flow	10 GPM (37.8 l/Min)	12 GPM (45.4 l/Min)
dP @ Rated Flow	15.8 ft (47.7 kPa)	24.2 ft (72.4 kPa)
Heating Current	18.0 amps	25.6 amps
Cooling Current	16.7 amps	24.8 amps
Noise Level	56 dB (A)	56 dB (A)
Compressor	Rotary x 2	Rotary x 2
Installed Weight	354 lbs (161 kg)	407 lbs (185 kg)



260 North Elm St., Westfield, MA 01085  
(800) 465-8558 Fax: (413) 564-5815

7555 Tranmere Drive, Mississauga, ONT. L5S 1L4 Canada  
(905) 670-5888 Fax: (905) 670-5782

www.spacepak.com

**PROJECT:** \_\_\_\_\_ **DATE:** \_\_\_\_\_

**LOCATION:** \_\_\_\_\_

**CUSTOMER:** \_\_\_\_\_

**ENGINEER:** \_\_\_\_\_

**SUBMITTED BY:** \_\_\_\_\_

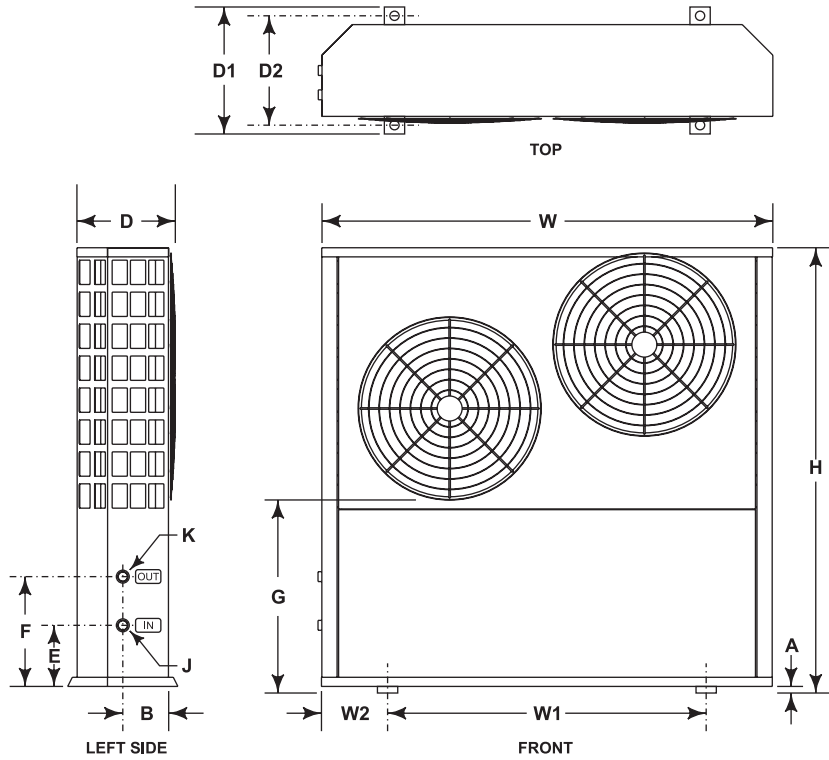
**FOR:**  Reference  Approval  Construction

**UNIT DESIGNATION:** \_\_\_\_\_

**SCHEDULE NUMBER:** \_\_\_\_\_

# SUBMITTAL DATA: Heat Pump SCM036/060 Series

## DIMENSIONS



Model	A	B	D	D1	D2	E	F	G	H	J	K	W	W1	W2
	Leg height	Front to return	Cabinet depth	Mounting lug depth	Mounting lug centers	Bottom to return	Bottom to supply	Base to bottom edge of lower fan	Overall Height	Return connection	Supply connection	Overall width	Mounting lug centers	Lug center to edge
SCM-036	1	10	17 3/4	17 3/8	15 3/4	5 1/2	15 1/4	25	53	1" NPT	1" NPT	43 3/8	27 1/2	7 15/16
SCM-060	1	10	17 3/4	17 3/8	15 3/4	5 1/2	15 1/4	25	53	1" NPT	1" NPT	43 3/8	27 1/2	7 15/16

## PERFORMANCE

### SCM-036 Heating Operation at 120°F

Ambient Temp	Capacity BTU/hr	Chiller Power Watts	Chiller COP
47°F	36,840	4,070	2.7
32°F	28,500	3,790	2.2
17°F	20,160	3,710	1.6

### SCM-036 Cooling Operation at 44°F Water

Ambient Temp	Capacity BTU/hr	Chiller Power Watts	Chiller COP	Chiller EER
82°F	38,500	3,208	3.6	12
95°F	36,000	3,750	2.8	9.6

### SCM-060 Heating Operation at 120°F

Ambient Temp	Capacity BTU/hr	Chiller Power Watts	Chiller COP
47°F	52,200	5,768	2.7
32°F	40,350	5,371	2.2
17°F	28,500	5,249	1.6

### SCM-060 Cooling Operation at 44°F Water

Ambient Temp	Capacity BTU/hr	Chiller Power Watts	Chiller COP	Chiller EER
82°F	57,500	5,227	3.2	11
95°F	48,000	5,517	2.5	8.7