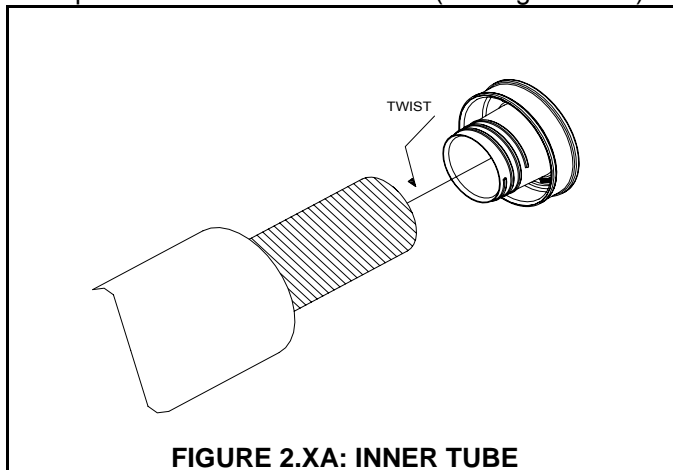


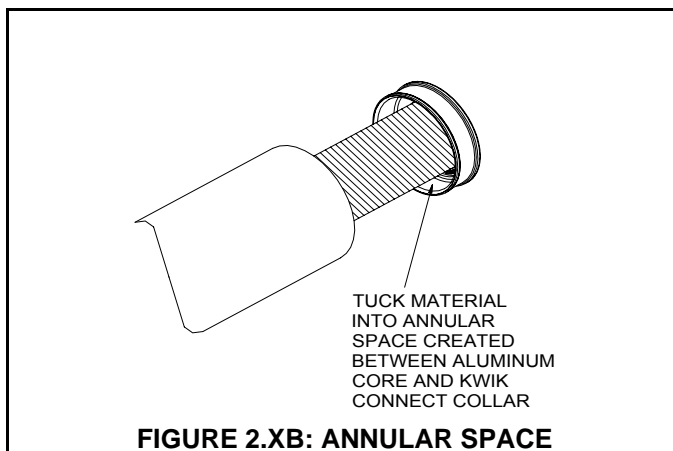
SUPPLY TUBING AND KWIK-CONNECT ASSEMBLY INSTRUCTION

After the supply tubing length has been determined (min. 6 feet), it may be cut using a knife or fine tooth hacksaw. A kwik-connect must be assembled to the raw end of the tube. To conform to the requirements of UL181, the following procedure must be followed:

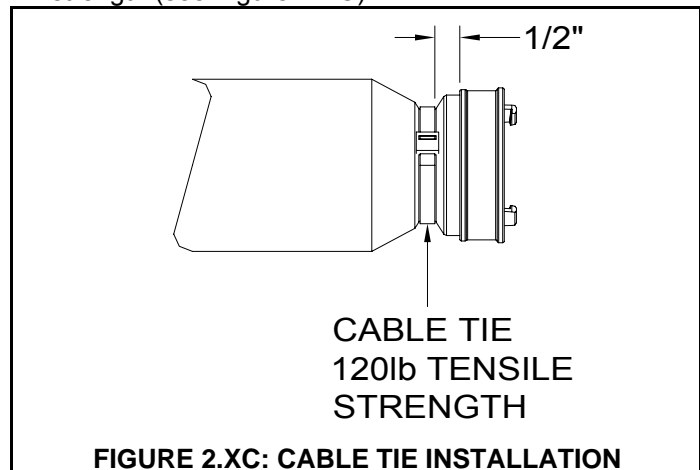
1. Push back the Mylar jacket and insulation to expose the aluminum inner tube (see Figure 2.XA).



2. If necessary, trim the aluminum tube with knife or hacksaw to make a relatively burr free, tight edge.
3. Thread the end of the kwik-connect into the aluminum tube until it bottoms out.
4. Pull the insulation and Mylar sleeve towards the kwik-connect and tuck it into the annular space created by the inner core and kwik-connect collar (see Figure 2.XB).

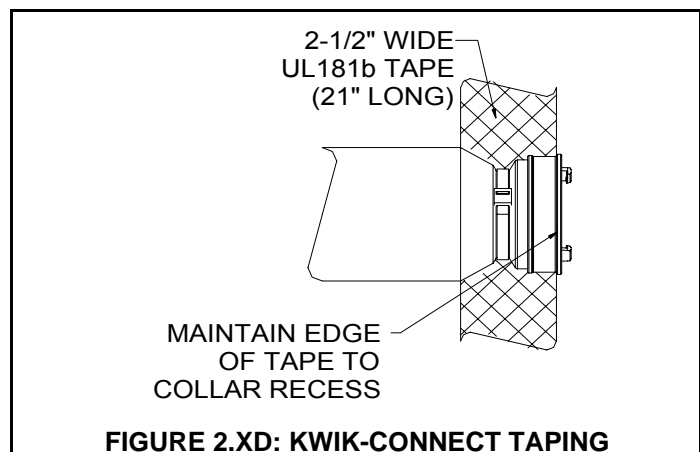


5. Install an approved cable tie with a 120 lb. tensile strength (see Figure 2.XC).



NOTICE: There should be no more than a 1/2 inch gap between the edge of the kwik-connect collar and the tie. This will ensure that the tie is seated on the portion of the kwik-connect that extends into the aluminum inner core.

6. Secure the tie using a Malco TY4, Hellermann Tyton T150 or equivalent Panduit gun. Trim excess material flush to the base of the tie.
7. Using foil tape rated (and marked) as UL181b, make (2) complete wraps around the collar and mylar jacket. Keep the edge of the tape flush to the edge of recess in the kwik-connect collar as shown in Figure 2.XD.



8. When (2) kwik-connects are mated together, the joint is to be taped to prevent leakage. Make (2) complete wraps around the collars, overlapping the tape installed in step 7.