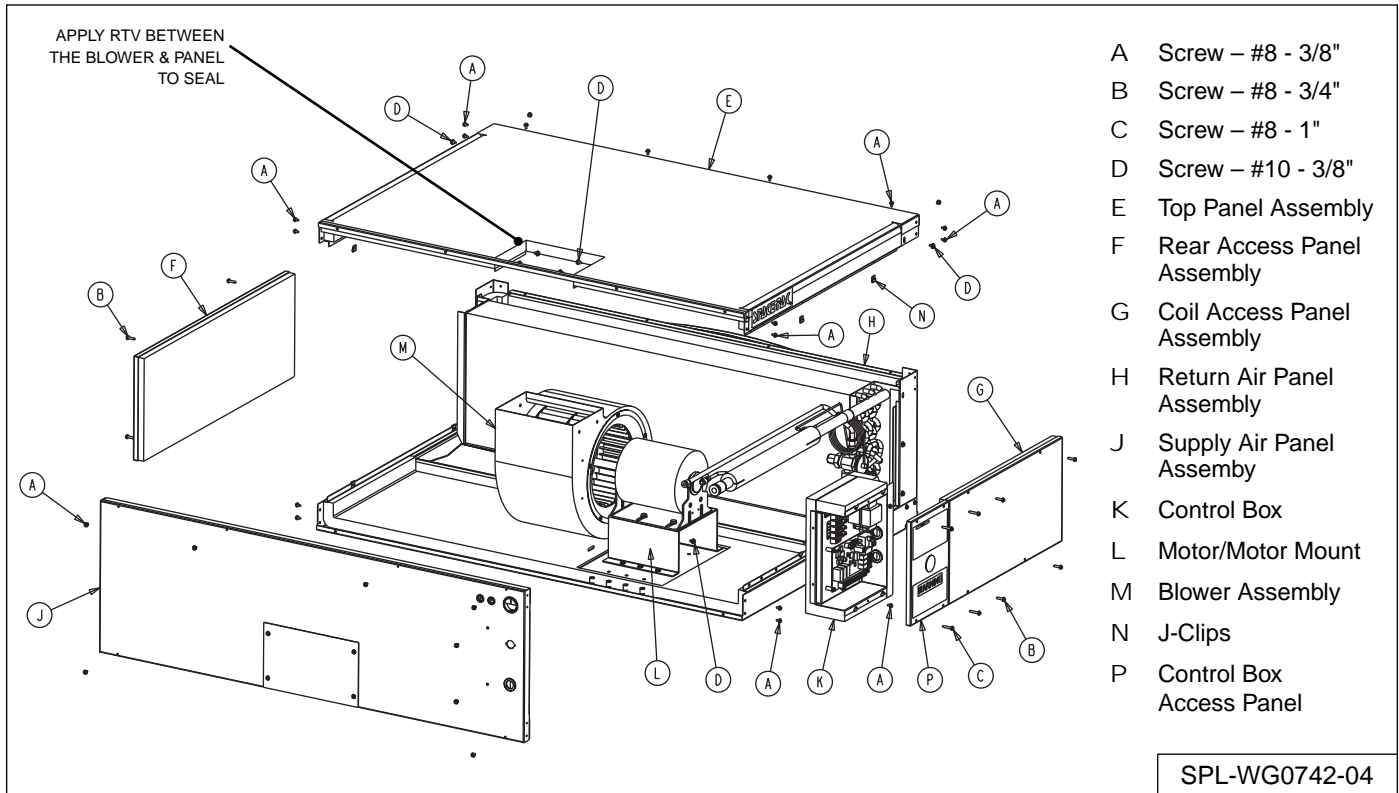


MODEL NO. WCS4860GH4OT AND ESP4860GH4CT – REPLACEMENT KIT NO. 45461RWG0746



### INSTRUCTIONS

**⚠ WARNING Electrical Shock Hazard**  
Disconnect all power before servicing unit.

Note: All screws removed will be replaced in Hardware Kit provided P/N 45473RWG0741-03.

J-clips will not be provided and must be reused (see below for J-clip orientation).

- Remove (E) TOP PANEL ASSEMBLY by unscrewing thirteen (A) #8 - 3/8" SCREWS and two (D) #10 - 3/8" SCREWS. Remove four (N) J-CLIPS from the top panel and save for re-assembly.
- Remove (F) REAR PANEL ASSEMBLY by unscrewing four (B) #8 - 3/4" SCREWS.
- Remove (J) SUPPLY PANEL ASSEMBLY by unscrewing thirteen (A) #8 - 3/8" SCREWS and four (D) #10 - 3/8" SCREWS.
- Remove (G) COIL ACCESS PANEL ASSEMBLY by unscrewing four (B) #8 - 3/4" SCREWS and four (C) #8 - 1" SCREWS.
- Remove (K) CONTROL BOX ASSEMBLY by unscrewing two (A) #8 - 3/8" SCREWS.
- To remove (M) BLOWER ASSEMBLY, first remove two (D) #10 - 3/8" SCREWS located under the (L) MOTOR MOUNT. Slide blower off of the motor.
- Replace old blower with replacement blower assembly P/N 45W35-WG0727.
- Screw (M) BLOWER ASSEMBLY into place with two (D) #10 - 3/8" SCREWS under the (L) MOTOR MOUNT.
- Reattach (K) CONTROL BOX ACCESS DOOR by using two (A) #8 - 3/8" SCREWS.
- Reattach (G) COIL ACCESS PANEL ASSEMBLY by using four (B) #8 - 3/4" SCREWS and four (C) #8 - 1" SCREWS.
- Reattach (J) SUPPLY AIR PANEL ASSEMBLY by using thirteen (A) #8 - 3/8" SCREWS and four (D) #10 - 3/8" SCREWS.
- Reattach (F) REAR PANEL ASSEMBLY by using four (B) #8 - 3/4" SCREWS.
- Replace (E) TOP PANEL ASSEMBLY with provided top panel P/N 45462-WG0533-14. Place the four (N) J-CLIPS onto top panel.
- Reattach (E) TOP PANEL ASSEMBLY by using thirteen (A) #8 - 3/8" SCREWS and two (D) #10 - 3/8" SCREWS.
- Seal the supply air openings (perimeter of blowing housings) completely using the enclosed RTV. All gaps must be sealed at this air outlet!



"J" Clip Orientation:  
Short Side Faces  
Forwards Towards  
Outside Of Unit