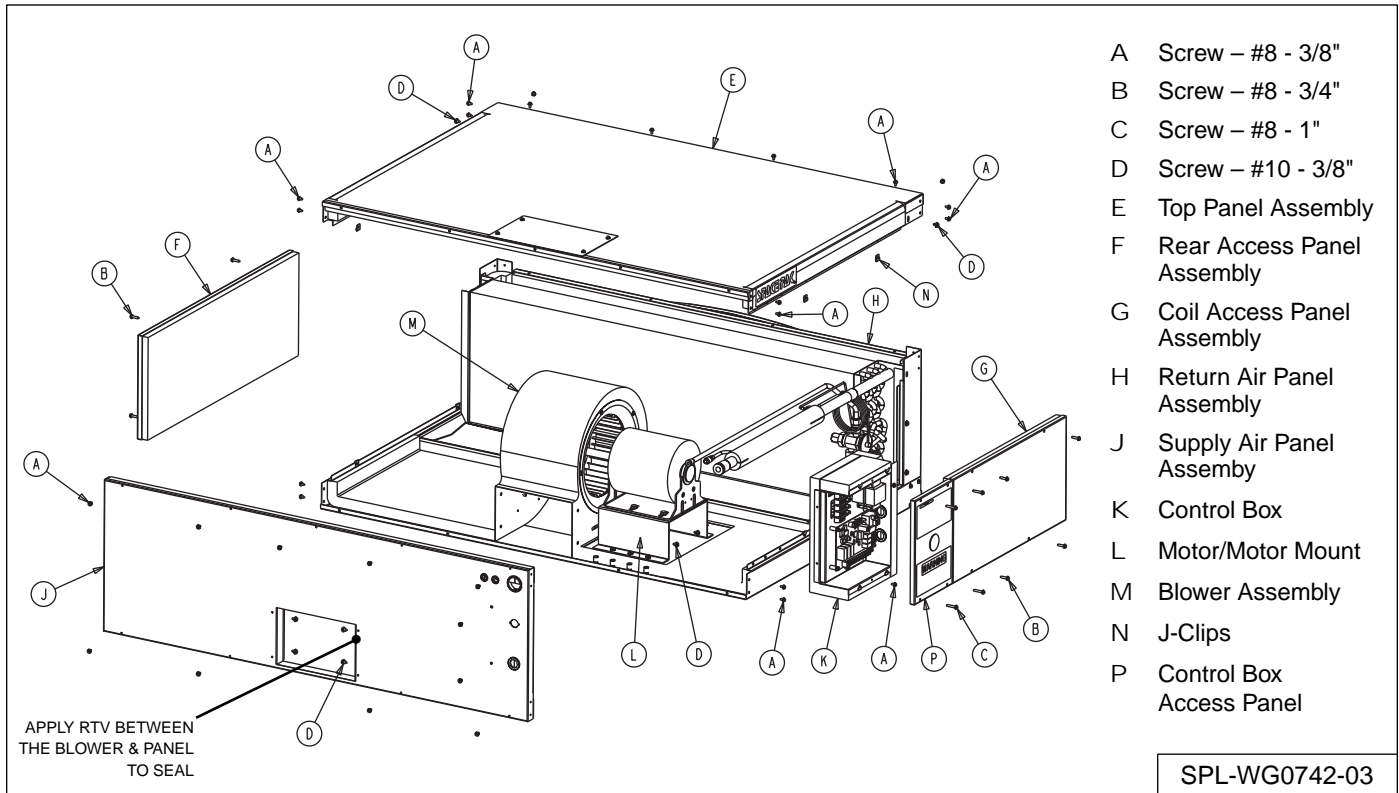


MODEL NO. WCS4860GH4O – REPLACEMENT KIT NO. 45461RWG0744
MODEL NO. ESP4860GH4C – REPLACEMENT KIT NO. 45461RWG0745



- A Screw – #8 - 3/8"
- B Screw – #8 - 3/4"
- C Screw – #8 - 1"
- D Screw – #10 - 3/8"
- E Top Panel Assembly
- F Rear Access Panel Assembly
- G Coil Access Panel Assembly
- H Return Air Panel Assembly
- J Supply Air Panel Assembly
- K Control Box
- L Motor/Motor Mount
- M Blower Assembly
- N J-Clips
- P Control Box Access Panel

INSTRUCTIONS

⚠ WARNING Electrical Shock Hazard
 Disconnect all power before servicing unit.

Note: All screws removed will be replaced in Hardware Kit provided P/N 45473RWG0741-03.

J-clips will not be provided and must be reused (see below for J-clip orientation).

1. Remove (E) TOP PANEL ASSEMBLY by unscrewing thirteen (A) #8 - 3/8" SCREWS and two (D) #10 - 3/8" SCREWS. Remove four (N) J-CLIPS from the top panel and save for re-assembly.
2. Remove (F) REAR PANEL ASSEMBLY by unscrewing four (B) #8 - 3/4" SCREWS.
3. Remove (J) SUPPLY PANEL ASSEMBLY by unscrewing thirteen (A) #8 - 3/8" SCREWS and four (D) #10 - 3/8" SCREWS.
4. Remove (G) COIL ACCESS PANEL ASSEMBLY by unscrewing four (B) #8 - 3/4" SCREWS and four (C) #8 - 1" SCREWS.
5. Remove (K) CONTROL BOX ASSEMBLY by unscrewing two (A) #8 - 3/8" SCREWS.
6. To remove (M) BLOWER ASSEMBLY, first remove two (D) #10 - 3/8" SCREWS located under the (L) MOTOR MOUNT. Slide blower off of the motor.
7. Replace (L) MOTOR MOUNT with supplied Motor Mount Base P/N 45459-WG0518-11.
8. Replace old blower with replacement blower assembly P/N 45W35-WG0727.
9. Screw (M) BLOWER ASSEMBLY into place with two (D) #10 - 3/8" SCREWS under the (L) MOTOR MOUNT.
10. Reattach (K) CONTROL BOX ACCESS DOOR by using two (A) #8 - 3/8" SCREWS.
11. Reattach (G) COIL ACCESS PANEL ASSEMBLY by using four (B) #8 - 3/4" SCREWS and four (C) #8 - 1" SCREWS.
12. Replace (J) SUPPLY AIR PANEL ASSEMBLY with panel assembly provided in hardware kit*. Reattach (J) SUPPLY AIR PANEL ASSEMBLY by using thirteen (A) #8 - 3/8" SCREWS and four (D) #10 - 3/8" SCREWS.
13. Reattach (F) REAR PANEL ASSEMBLY by using four (B) #8 - 3/4" SCREWS.
14. Place the four (N) J-CLIPS back onto the top panel. Reattach (E) TOP PANEL ASSEMBLY by using thirteen (A) #8 - 3/8" SCREWS and two (D) #10 - 3/8" SCREWS.
15. Seal the supply air openings (perimeter of blowing housings) completely using the enclosed RTV. All gaps must be sealed at this air outlet!



"J" Clip Orientation:
 Short Side Faces
 Forwards Towards
 Outside Of Unit

*Model WCS4860GH4O P/N 45462-WG0561-14
 Model ESP4860GH4C P/N 45462-WG0547-14