

Single Zone Hydronic Heating/AC Module

STANDARD FEATURES

- ECM Fan Technology
- 110V Power Supply
- Heating/Cooling Hydronic Coil
- Outer Insulation Cover
- Heavy Duty Plastic Clamshell Design
- Integrated Drain Pan
- Quick Connect 15mm to 1/2" Push Fit Connection
- Control Board with Wifi Wireless PC/Phone App
 - Fan Speed Control
 - Auto Timed Zone Control
 - Fresh Air Introduction Control (Optional)
 - Temperature Set Points
 - Alarm Settings
 - *water temp*
 - *wifi communication* - *status*



RATING & CAPACITIES

RATED CAPACITY:

- Cooling 1.2 Tons
(14,400 btu/h) (300 CFM)
EWT 42°F
- Heating 24,000 btu/h (330 CFM)
EWT 160°F

ELECTRICAL:

120V/1ph/60 Hz

FAN WATTS:

90W

FLOW RATE:

3.5-5 GPM

SOUND PRESSURE LEVEL:

22 dBA

WEIGHT:

36 LBS.

PIPING & DUCTING

FIELD PIPE SIZE:

15mm OD

DUCT:

- 2" Flexible
- 6" Flexible
- 7" Flexible

SUPPLY ADAPTER

- 4 - 2" Round Qty. _____
- 6" Round Qty. _____
- 7" Round Qty. _____

RETURN ADAPTER

- 6" Round Qty. _____
- 7" Round Qty. _____

PLASTIC SPECIFICATION

MATERIAL:

Cycoloy Resin C6600 UL94 Rated

DIMENSIONS

WIDTH:

23-1/2"

DEPTH:

35-1/2"

HEIGHT:

9-1/16"



260 North Elm St., Westfield, MA 01085
(800) 465-8558 Fax: (413) 564-5815

7555 Tranmere Drive, Mississauga, ONT. L5S 1L4 Canada
(905) 670-5888 Fax: (905) 670-5782

www.spacepak.com

PROJECT: _____ **DATE:** _____

LOCATION: _____

CUSTOMER: _____

ENGINEER: _____

SUBMITTED BY: _____

FOR: Reference Approval Construction

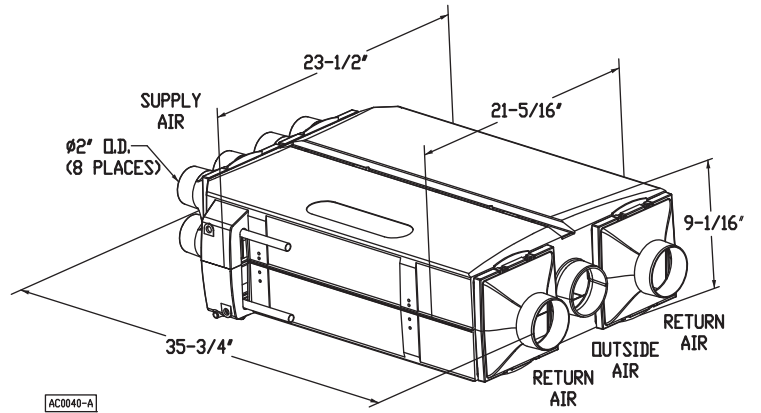
UNIT DESIGNATION: _____

SCHEDULE NUMBER: _____

SUBMITTAL DATA: AIRCELL SZSP-1440

DETAILS & DIMENSIONS

	Heating	Cooling
Entering Water Temperature	160°F	42°F
Btu/h	24,000	—
Tons	—	1.2
Fan Watts	90W	
CFM	330	300
Flow Rate GPM	3.5-5	
Weight lbs.	36	



MINIMUM CLEARANCES – For Servicing

