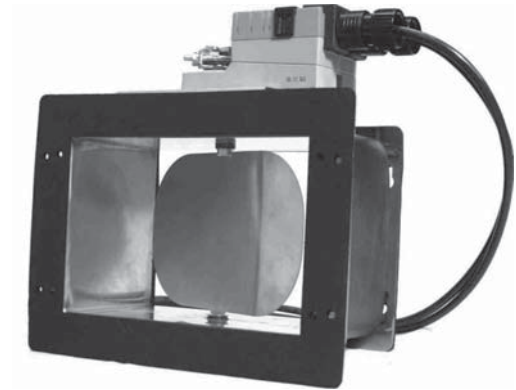


## MODEL ACM AIR CONTROL MODULE FOR "G" SERIES FAN COIL UNITS



The SpacePak ACM Air Control Module provides the ability to adjust supply air flow allowing for energy savings when operating in fan-only mode. The adjustable damper also offers the means to adjust high speed air flow to provide optimum CFM delivery.

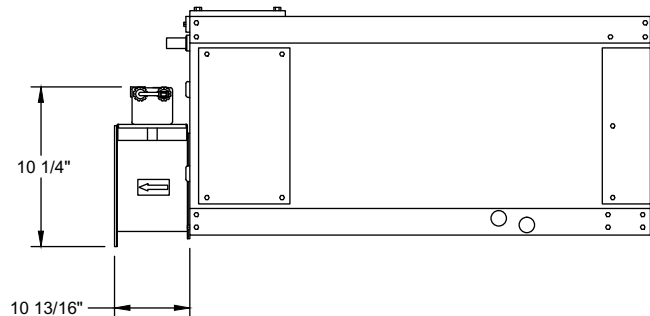
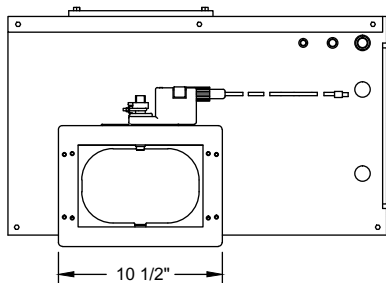
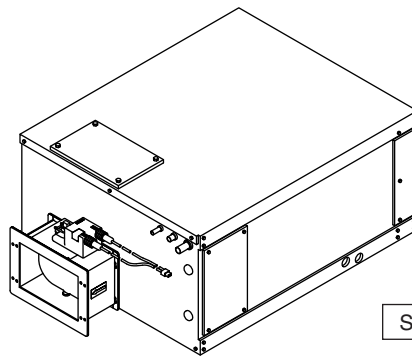
The fully assembled SpacePak ACM is designed to mount directly to the "G" Series Horizontal Fan Coil Unit and is supplied with a molex connector for simple electrical attachment.

One size ACM can be used with all three SpacePak air handler sizes.

### STANDARD ACM FEATURES

- Stainless Steel Construction
- Insulated Housing
- Mounted Actuator
- ETL Listed
- Compatible with All Plenum Duct
- Simple Plug-In Wiring
- Pre-applied Gaskets
- Durable Nylon Bushings

### ACM DIMENSIONS

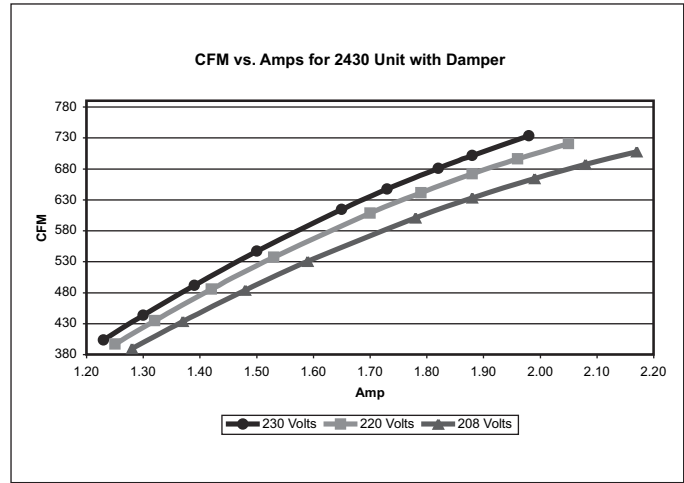




# MODEL ACM AIR CONTROL MODULE FOR "G" SERIES FAN COIL UNITS

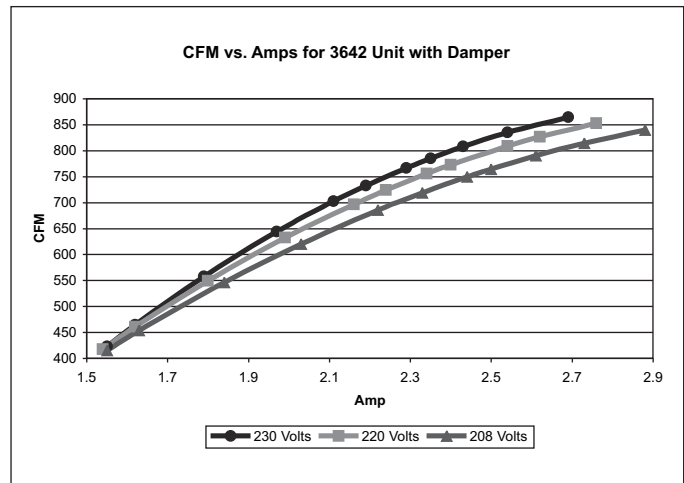
## AIR FLOW ADJUSTMENT CHART FOR 2430 WITH ACM

Damper opening	230 Volts		220 Volts		208 Volts	
	AMPS	AIRFLOW (CFM)	AMPS	AIRFLOW (CFM)	AMPS	AIRFLOW (CFM)
▼ This direction Slowly Closed	1.98	734	2.05	724	2.17	708
	1.88	701	1.96	697	2.08	687
	1.82	678	1.88	670	1.99	661
	1.73	648	1.79	639	1.88	634
	1.65	613	1.70	608	1.78	601
	1.50	548	1.53	540	1.59	535
	1.39	492	1.42	480	1.48	480
	1.30	450	1.32	446	1.37	433
	1.23	398	1.25	391	1.28	391



## AIR FLOW ADJUSTMENT CHART FOR 3642 WITH ACM

Damper opening	230 Volts		220 Volts		208 Volts	
	AMPS	AIRFLOW (CFM)	AMPS	AIRFLOW (CFM)	AMPS	AIRFLOW (CFM)
▼ This direction Slowly Closed	2.69	851	2.76	844	2.88	833
	2.54	842	2.62	838	2.73	824
	2.43	828	2.54	805	2.61	782
	2.35	779	2.40	775	2.50	771
	2.29	767	2.34	755	2.44	748
	2.19	736	2.24	732	2.33	728
	2.11	703	2.16	694	2.22	685
	1.97	645	1.99	640	2.03	626
	1.79	528	1.80	522	1.84	522
	1.62	480	1.62	473	1.63	461
	1.55	427	1.54	420	1.55	420



## AIR FLOW ADJUSTMENT CHART FOR 4860 WITH ACM

Damper opening	230 Volts		220 Volts		208 Volts	
	AMPS	AIRFLOW (CFM)	AMPS	AIRFLOW (CFM)	AMPS	AIRFLOW (CFM)
▼ This direction Slowly Closed	3.87	1200	3.92	1191	4.03	1181
	3.78	1191	3.82	1181	3.92	1172
	3.67	1143	3.68	1133	3.75	1113
	3.49	1072	3.47	1108	3.55	1108
	3.40	1051	3.37	1040	3.41	1029
	3.26	992	3.24	981	3.25	969
	3.09	909	3.03	897	3.03	897
	2.90	818	2.81	804	2.77	804
	2.60	667	2.54	667	2.48	667
	2.51	577	2.40	577	2.30	577
	2.38	470	2.23	470	2.10	470

