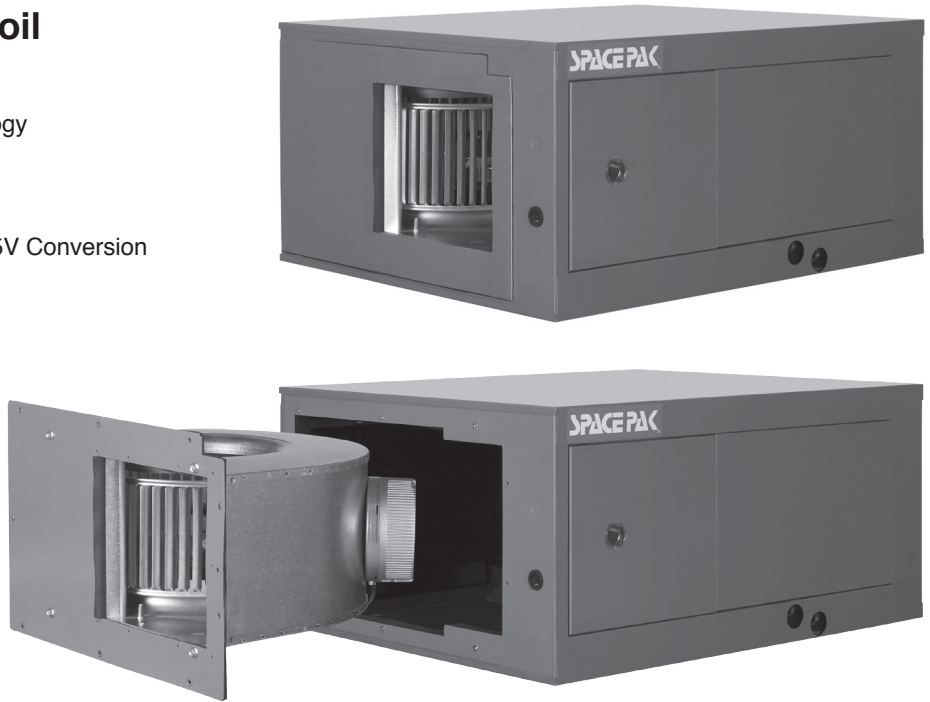


**Horizontal Hydronic Fan Coil**

**STANDARD FEATURES**

- High Efficiency EC Motor/Blower Technology
- Easy Field Adjustable Motor Staging
- Slide Out Blower
- 230V Standard Configuration Optional 115V Conversion
- Heat Pump Compatible
- Integrated Control Board
- 6-Row Copper/Aluminum Coil
- Sweat-Type Connections
- Insulated Grey Cabinet
- Float Switch
- Condensate Trap
- Mold Resistant Primary Drain Pan
- Anti-Vibration Foam Strips
- Mode Specific Adjustable Speed Control



Model	Capacity (Tons)	Dimensions			Connections				Ship Weight (lbs.)	Part Number	Qty
		Height	Width	Length	Bottom Water In	Top Water Out	Cond. Drain (NPT)	Return Inlet (Dia.)			
WCSP-2430J	2, 2 1/2	14-1/8"	24-1/4"	29-3/8"	7/8"	7/8"	3/4"	15"	105	WCS2430JH0M	
WCSP-3642J	3, 3 1/2	14-1/8"	33-1/4"	29-3/8"	7/8"	7/8"	3/4"	19"	123	WCS3642JH0M	
WCSP-4860J	4, 5	14-1/8"	43-1/4"	29-3/8"	7/8"	7/8"	3/4"	24"	144	WCS4860JH0M	

Model	Capacity (Tons)	Std. CFM @ 1.5" W.C.	Wheel Dia. And Width	Motor H.P.	Motor Type	Electrical Data		Coil	
						V/Ph/Hz*	F.L. Amps 115V/230V	Number Rows Deep	Flow Rate Per Ton (GPM)
WCSP-2430J	2, 2 1/2	440, 550	10/6"	3/4	EC	230/1/60	5.6/2.8	6	2.4
WCSP-3642J	3, 3 1/2	660, 850	10/6"	3/4	EC	230/1/60	7.6/4.0	6	2.4
WCSP-4860J	4, 5	880, 1150	10/6"	3/4	EC	230/1/60	10.6/5.4	6	2.4

\*Each unit ships with a kit to convert from 230V to 115V

**SpacePak "J" Series Horizontal Air Handler Plenum Adapter Chart**

Plenum Adapter	To Be Used With
AC-SM9D-PA	Smart Seal Gasketed Spiral Metal Duct
SPS-PAJSQ	Square Fiberboard Plenum Duct
AC-PAJ	9" Round Sheet Metal Duct



260 North Elm St., Westfield, MA 01085  
 (800) 465-8558 Fax: (413) 564-5815

7555 Tranmere Drive, Mississauga, ONT. L5S 1L4 Canada  
 (905) 670-5888 Fax: (905) 670-5782

www.spacepak.com

PROJECT: \_\_\_\_\_ DATE: \_\_\_\_\_

LOCATION: \_\_\_\_\_

CUSTOMER: \_\_\_\_\_

ENGINEER: \_\_\_\_\_

SUBMITTED BY: \_\_\_\_\_

FOR:  Reference  Approval  Construction

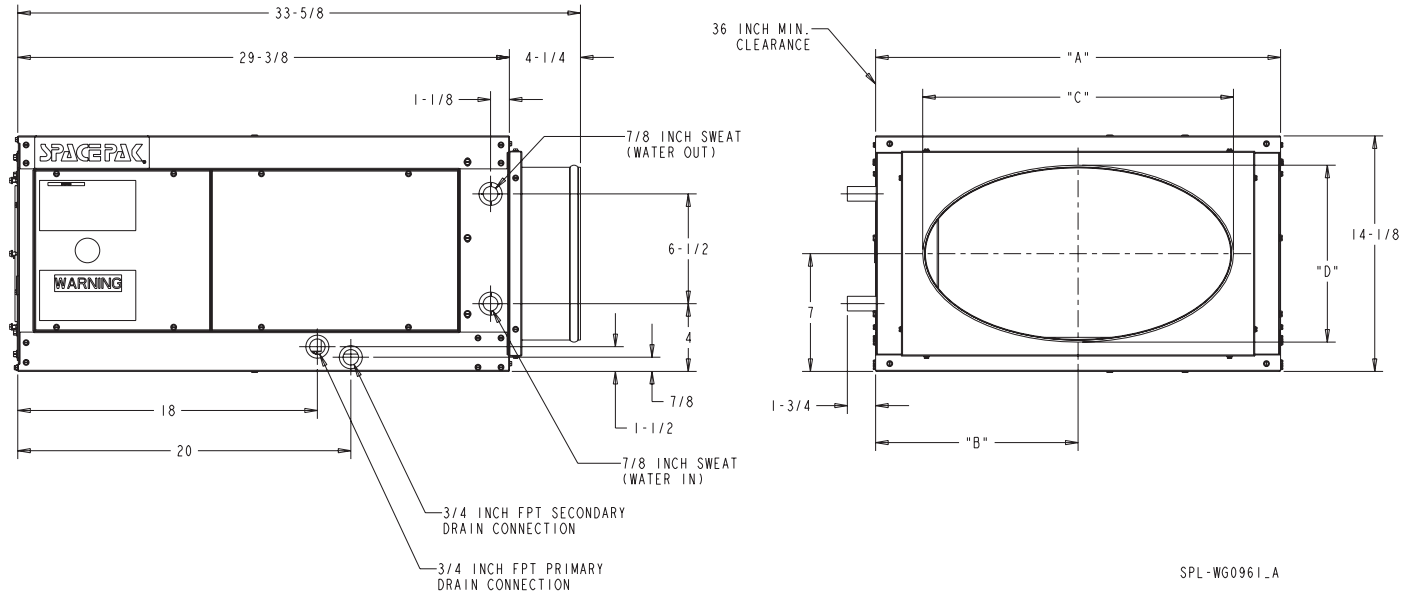
UNIT DESIGNATION: \_\_\_\_\_

SCHEDULE NUMBER: \_\_\_\_\_

# SUBMITTAL DATA: WCSP-J SERIES

## Dimensional Data

### Unit Dimensions and Clearance



SPL-WG0961\_A

MODEL	A	B	C	D
WCSP-2430J	24-1/4"	12"	18-1/2"	10-1/2"
WCSP-3642J	33-1/4"	16-1/2"	25-3/4"	10"
WCSP-4860J	43-1/4"	21-1/2"	34-1/4"	10-1/4"