

**Low Ambient Air to Water Reverse Cycle Heat Pump**

**STANDARD FEATURES**

- Hermetically Sealed EVI Compressor
- Self-Diagnostic Control – Factory Programmed Two Variable Speed Fans
- Brazed-plate Refrigerant-to-Water Heat Ex.
- Quiet Operation – 62dB
- R410A Refrigerant
- 230/1/60
- Durable Powder Coated Finish
- Configurable Defrost Logic
- Optimized for Buffer Tank Installation



**MODEL:** LAHP48 Qty. \_\_\_\_\_

Model	LAHP - 048	COP
Heating Capacity (47°F/8°C Ambient Temp. 120°F/50°C Supply Water)	66,480 BTU/h (18.9kW)	3.26
Heating Capacity (17°F/-8°C Ambient Temp. 120°F/50°C Supply Water)	46,440 BTU/h (13.6kW)	2.35
Heating Capacity (5°F/-15°C Ambient Temp. 120°F/50°C Supply Water)	42,240 BTU/h (12.4kW)	2.12
Cooling Capacity (95°F/35°C Ambient Temp. 44°F/6.7°C Supply Water)	40,000 BTU/h (11.7kW)	2.43
Volts	230V/1ph/60Hz	
Minimum Water Supply Temperature	42°F (5.5°C)	
Maximum Water Supply Temperature	131°F (55°C)	
Rated Water Flow	11 GPM (41.6 l/min)	
Pressure Drop at Recommended Flow	17.1 ft/7.4 PSI (35.8 kPa)	
Minimum Circuit Capacity	40	
Maximum Fuse/Circuit Breaker	60	
Noise Level at Max Fan Speed (Heating Or Cooling)	62 dB (A)	
Compressor	EVI Scroll	
Ship Weight	386 lbs (175 kg)	



260 North Elm St., Westfield, MA 01085  
 (800) 465-8558 Fax: (413) 564-5815

7555 Tranmere Drive, Mississauga, ONT. L5S 1L4 Canada  
 (905) 670-5888 Fax: (905) 670-5782

www.spacepak.com

**PROJECT:** \_\_\_\_\_ **DATE:** \_\_\_\_\_

**LOCATION:** \_\_\_\_\_

**CUSTOMER:** \_\_\_\_\_

**ENGINEER:** \_\_\_\_\_

**SUBMITTED BY:** \_\_\_\_\_

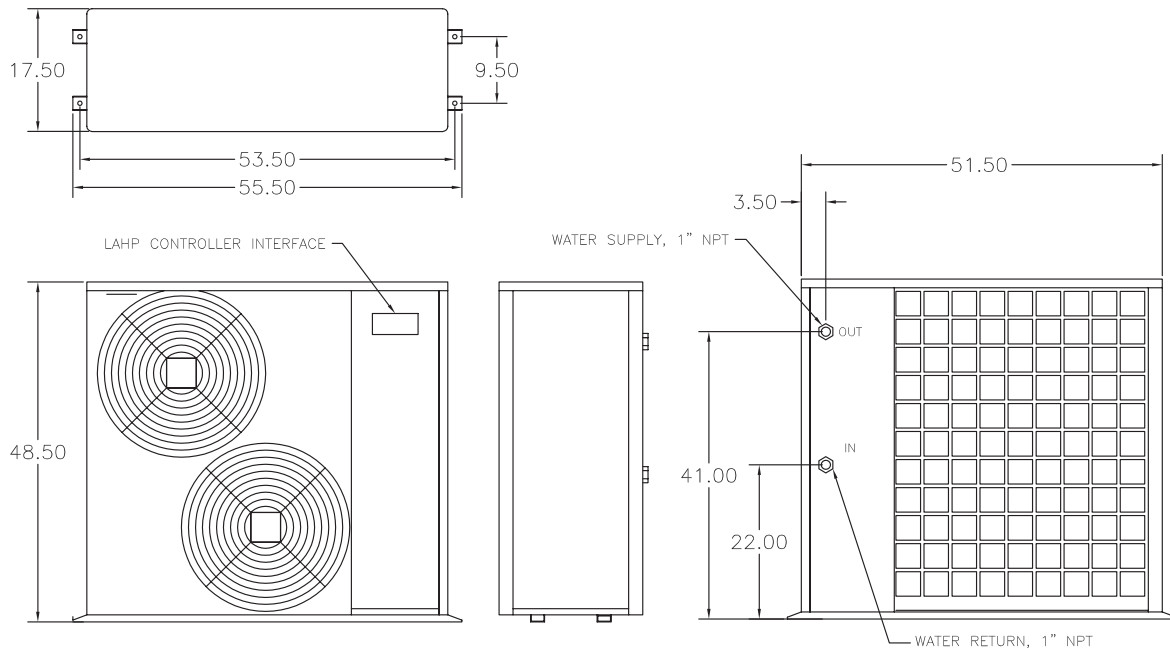
**FOR:**             Reference             Approval             Construction

**UNIT DESIGNATION:** \_\_\_\_\_

**SCHEDULE NUMBER:** \_\_\_\_\_

# SUBMITTAL DATA: Heat Pump LAHP48 Series

## DIMENSIONS



All dimensions in inches

SPL-WG077B

## PERFORMANCE

### LAHP Heating Operation

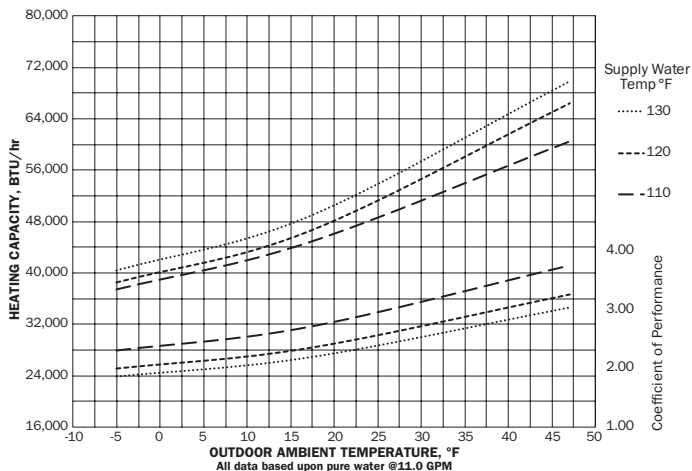
Supply Water Temp °F	Ambient Temp °F	Capacity BTU/hr	Water DP ft WC	Watts	COP
110	-5	37,500	14.6	3,880	2.30
	17	44,800	14.6	3,970	2.70
	47	60,580	14.6	4,263	3.75
120	-5	38,500	14.6	4,513	2.00
	17	46,440	14.6	5,790	2.35
	47	66,480	14.6	5,963	3.26
130	-5	40,425	14.6	5,249	1.86
	17	48,762	14.6	5,371	2.18
	47	69,804	14.6	5,768	3.04

### LAHP Cooling Operation

Supply Water Temp °F	Ambient Temp °F	Capacity BTU/hr	Water DP ft WC	Watts	COP
42	70	41,100	15.0	4,298	2.80
	82	39,950	15.0	4,414	2.65
	95	38,800	15.0	4,897	2.32
44	70	42,500	15.0	4,190	2.97
	82	41,250	15.0	4,238	2.85
	95	40,000	15.0	4,820	2.43
47	70	44,600	15.0	4,240	3.08
	82	43,200	15.0	4,274	2.96
	95	41,800	15.0	4,708	2.60

All data based upon pure water @ 12.0 GPM

### LAHP Heating Performance



### LAHP Cooling Performance

