

Vertical DX Fan Coil

STANDARD FEATURES

- High Efficiency EC Motor/Blower Technology
- Easy Field Adjustable Motor Staging
- 230V Standard Configuration Optional 115V Conversion
- Heat Pump Compatible
- Thermal Expansion Valve (TXV)
- Factory Installed Chatleff Fitting for TXV
- Anti-Frost Control
- Integrated Control Board
- 6-Row Copper/Aluminum Evaporator Coil
- Sweat-Type Refrigerant Connections
- Insulated Grey Cabinet
- Float Switch
- Condensate Trap
- Anti-Vibration Foam Strips
- Mode Specific Adjustable Speed Control



Model	Nominal System Capacity		Std. CFM@ 1.5" W.C.	Dimensions			Motor HP	F.L. Amps	Connections		Ship Weight (lbs.)	Recommended Condensing Unit Capacity (MBH)	Part Number	Qty
	Nom. Tons	Cool MBH		Height	Width	Length			Suction Line	Liquid Line				
ESP-2430JV	2	23	440, 550	33"	24"	16-1/8"	3/4	5.6/2	7/8"	3/8"	135	24	ESP2430JV4M	
	2-1/2	27										30		
ESP-3642JV	3	35	660, 850	33"	33"	16-1/8"	3/4	7.6/4	7/8"	3/8"	170	36	ESP3642JV4M	
	3-1/2	40										42		
ESP-4860JV	4	48	880, 1150	33"	43"	16-1/8"	3/4	10.6/5.4	7/8"	3/8"	210	48	ESP4860JV4M	
	5	57										60		

NOTES:

Electrical Characteristics: 230/1/60.

SpacePak "J" Series Horizontal Air Handler Plenum Adapter Chart

Plenum Adapter	To Be Used With
AC-SM9D-PA	Smart Seal Gasketed Spiral Metal Duct
SPS-PAJSQ	Square Fiberboard Plenum Duct
AC-PAJ	9" Round Sheet Metal Duct



260 North Elm St., Westfield, MA 01085
 (800) 465-8558 Fax: (413) 564-5815

7555 Tranmere Drive, Mississauga, ONT. L5S 1L4 Canada
 (905) 670-5888 Fax: (905) 670-5782

www.spacepak.com

PROJECT: _____ DATE: _____

LOCATION: _____

CUSTOMER: _____

ENGINEER: _____

SUBMITTED BY: _____

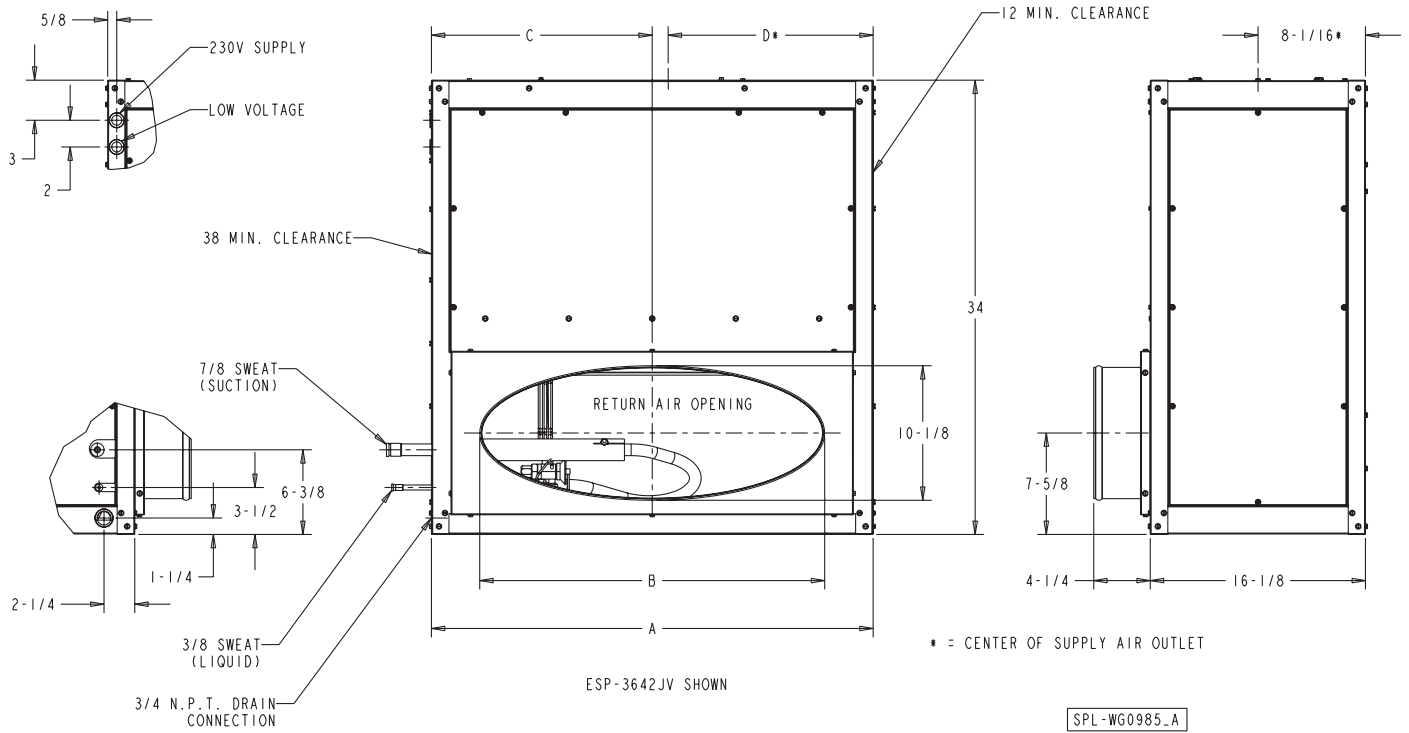
FOR: Reference Approval Construction

UNIT DESIGNATION: _____

SCHEDULE NUMBER: _____

SUBMITTAL DATA: ESP-JV SERIES

Dimensional Data



MODEL	A	B	C	D
ESP-2430JV	24	18-5/8	12	10-7/8
ESP-3642JV	33	25-7/8	16-1/2	15-3/8
ESP-4860JV	43	34-1/4	21-1/2	20-3/8

SPACEPAK
ASSEMBLY, ESP-JV DIMENSIONS & CLEARANCES (INCHES)