

Horizontal DX Fan Coil

STANDARD FEATURES

- High Efficiency EC Motor/Blower Technology
- Easy Field Adjustable Motor Staging
- Slide Out Blower
- 230V Standard Configuration - Field Convertible to 115V
- Heat Pump Compatible
- Thermal Expansion Valve (TXV)
- Factory Installed Chatleff Fitting for TXV
- Anti-Frost Control
- Integrated Control Board
- 6-Row Copper/Aluminum Evaporator Coil
- Sweat-Type Refrigerant Connections
- Insulated Grey Cabinet
- Float Switch
- Condensate Trap
- Mold Resistant Primary Drain Pan
- Anti-Vibration Foam Strips
- Mode Specific Adjustable Speed Control



Model	Capacity (Tons)	Dimensions			Connections				Ship Weight (lbs.)	Part Number	Qty
		Height	Width	Length	Suction Line	Liquid Line	Cond. Drain (NPT)	Return Inlet (Dia.)			
ESP-2430J	2, 2 1/2	14-1/8"	24-1/4"	29-3/8"	7/8"	3/8"	3/4"	15"	105	ESP2430JH4M	
ESP-3642J	3, 3 1/2	14-1/8"	33-1/4"	29-3/8"	7/8"	3/8"	3/4"	19"	123	ESP3642JH4M	
ESP-4860J	4, 5	14-1/8"	43-1/4"	29-3/8"	7/8"	3/8"	3/4"	24"	144	ESP4860JH4M	

Model	Capacity (Tons)	Std. CFM @ 1.2" W.C.	Wheel Dia. And Width	Motor H.P.	Motor Type	Electrical Data		Coil
						V/Ph/Hz*	F.L. Amps 115V/230V	Number Rows Deep
ESP-2430J	2, 2 1/2	440, 550	10/6"	3/4	EC	230/1/60	5.6/2.8	6
ESP-3642J	3, 3 1/2	660, 850	10/6"	3/4	EC	230/1/60	7.6/3.8	6
ESP-4860J	4, 5	880, 1150	10/6"	3/4	EC	230/1/60	10.6/5.3	6

*Each unit ships with a kit to convert from 230V to 115V

SpacePak "J" Series Horizontal Air Handler Plenum Adapter Chart

Plenum Adapter	To Be Used With
AC-SM9D-PA	Smart Seal Gasketed Spiral Metal Duct
SPS-PAJSQ	Square Fiberboard Plenum Duct
AC-PAJ	9" Round Sheet Metal Duct



260 North Elm St., Westfield, MA 01085
 (800) 465-8558 Fax: (413) 564-5815

7555 Tranmere Drive, Mississauga, ONT. L5S 1L4 Canada
 (905) 670-5888 Fax: (905) 670-5782

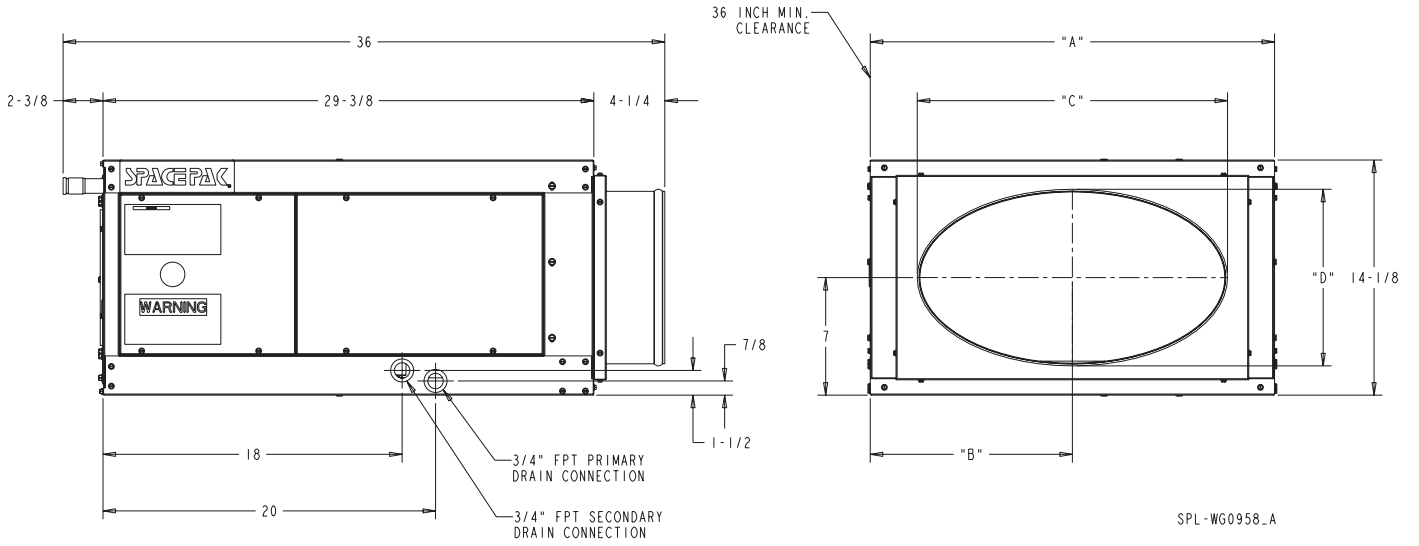
www.spacepak.com

PROJECT: _____ DATE: _____
 LOCATION: _____
 CUSTOMER: _____
 ENGINEER: _____
 SUBMITTED BY: _____
 FOR: Reference Approval Construction
 UNIT DESIGNATION: _____
 SCHEDULE NUMBER: _____

SUBMITTAL DATA: ESP-J SERIES

Dimensional Data

Unit Dimensions and Clearance



MODEL	A	B	C	D
ESP-2430J	24-1/4"	12"	18-1/2"	10-1/2"
ESP-3642J	33-1/4"	16-1/2"	25-3/4"	10"
ESP-4860J	43-1/4"	21-1/2"	34-1/4"	10-1/4"