

Air-to-Water Reverse Cycle Heat Pump

STANDARD FEATURES

- Dual System Programmable Compressor (Two Separate Refrigerant Circuits)
- Simple Piping & Plumbing
- Easily Zoned
- 30% Larger Condenser Coil than Traditional Units
- Self Diagnostic Control – Carel Factory Programmed – Field Adjustable
- Simplified Installation & Ease of Service
- Quiet Operation
- Highest R-410A COP and EER
- No Refrigerant Handling
- Refrigerant Stays Outside the Building
- Low Ambient Antifreeze Protection
- 30% Less Refrigerant than Conventional Split System
- Durable Baked Enamel Finish
- Low Ambient Cooling Enabled
- Automatic Lead/Lag between Compressors
- Easy Service Access



MODEL: SCM036A4 Qty. _____ **MODEL:** SCM060A4 Qty. _____

Model	SCM - 036	SCM - 060
Heating Capacity	36,840 BTUh (10.8 kW)	52,200 BTUh (15.3 kW)
Heating COP	2.65	2.65
Cooling Capacity	36,000 BTUh (10.5 kW)	48,000 BTUh (14.1 kW)
Voltage	230v/1ph/60Hz	230v/1ph/60Hz
Min Supply Temp	36°F (2.2°C)	36°F (2.2°C)
Max Supply Temp	125°F (51.7°C)	125°F (51.7°C)
Rated Water Flow	10 GPM (37.9 L/Min)	12 GPM (45.9 L/Min)
dP @ Rated Flow	15.8 ft (47.7 kPa)	24.2 ft (72.4 kPa)
Heating Current	18.0 amps	25.6 amps
Cooling Current	16.7 amps	24.8 amps
Noise Level	56 dB (A)	56 dB (A)
Compressor	Rotary x 2	Rotary x 2
Installed Weight	354 lbs (161 kg)	407 lbs (185 kg)



260 North Elm St., Westfield, MA 01085
(800) 465-8558 Fax: (413) 564-5815

7555 Tranmere Drive, Mississauga, ONT. L5S 1L4 Canada
(905) 670-5888 Fax: (905) 670-5782

www.spacepak.com

PROJECT: _____ **DATE:** _____

LOCATION: _____

CUSTOMER: _____

ENGINEER: _____

SUBMITTED BY: _____

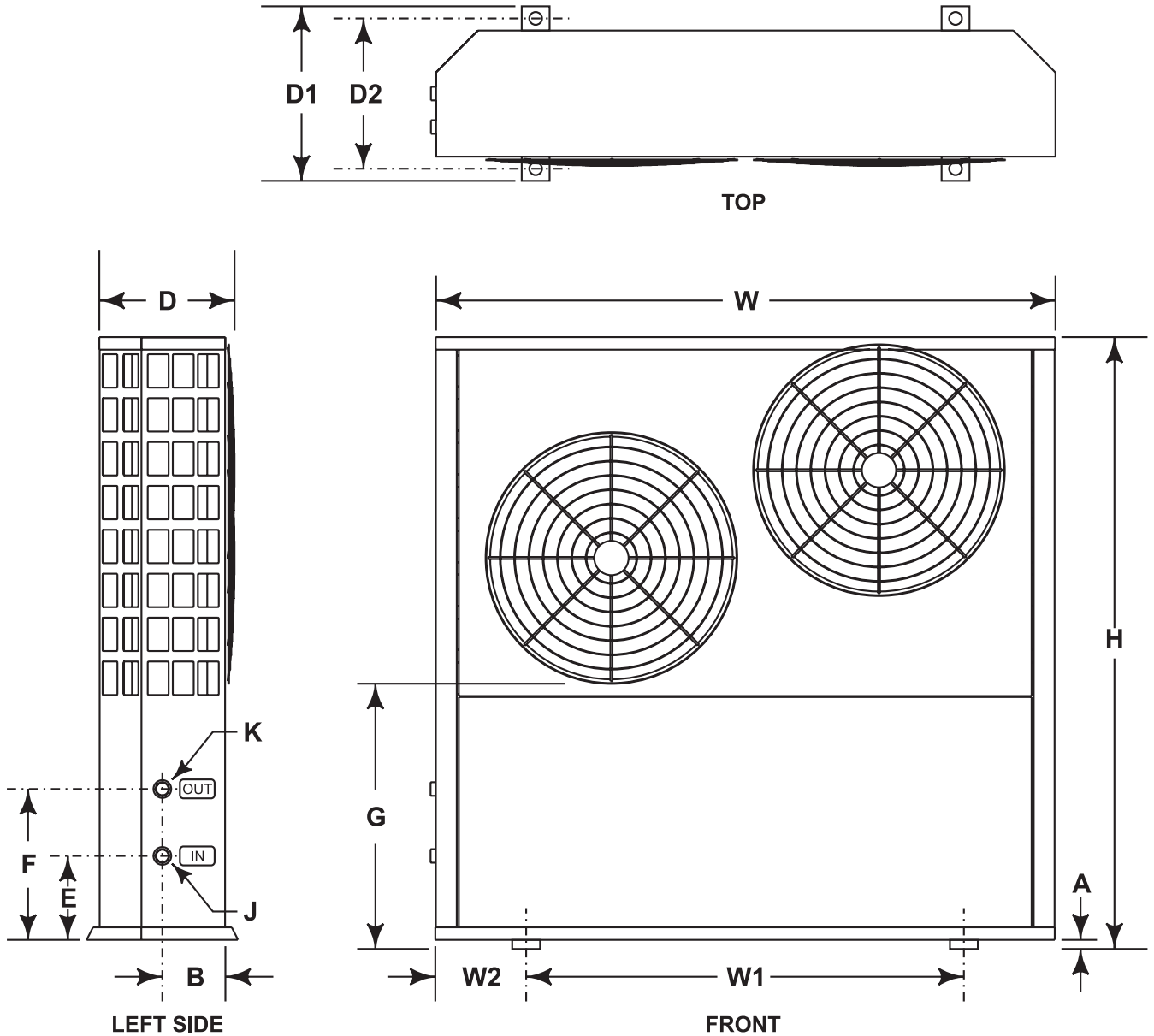
FOR: Reference Approval Construction

UNIT DESIGNATION: _____

SCHEDULE NUMBER: _____

SUBMITTAL DATA: Heat Pump SCM036/060 Series

DIMENSIONS



Model	A	B	D	D1	D2	E	F	G	H	J	K	W	W1	W2
	Leg height	Front to return	Cabinet depth	Mounting lug depth	Mounting lug centers	Bottom to return	Bottom to supply	Base to bottom edge of lower fan	Overall Height	Return connection	Supply connection	Overall width	Mounting lug centers	Lug center to edge
SCM-036	1"	10"	17 3/4"	17 3/8"	15 3/4"	5 1/2"	15 1/4"	25"	53"	1" NPT	1" NPT	43 3/8"	27 1/2"	7 15/16"
SCM-060	1"	10"	17 3/4"	17 3/8"	15 3/4"	5 1/2"	15 1/4"	25"	53"	1" NPT	1" NPT	43 3/8"	27 1/2"	7 15/16"

SUBMITTAL DATA: Heat Pump SCM036 Series

PERFORMANCE

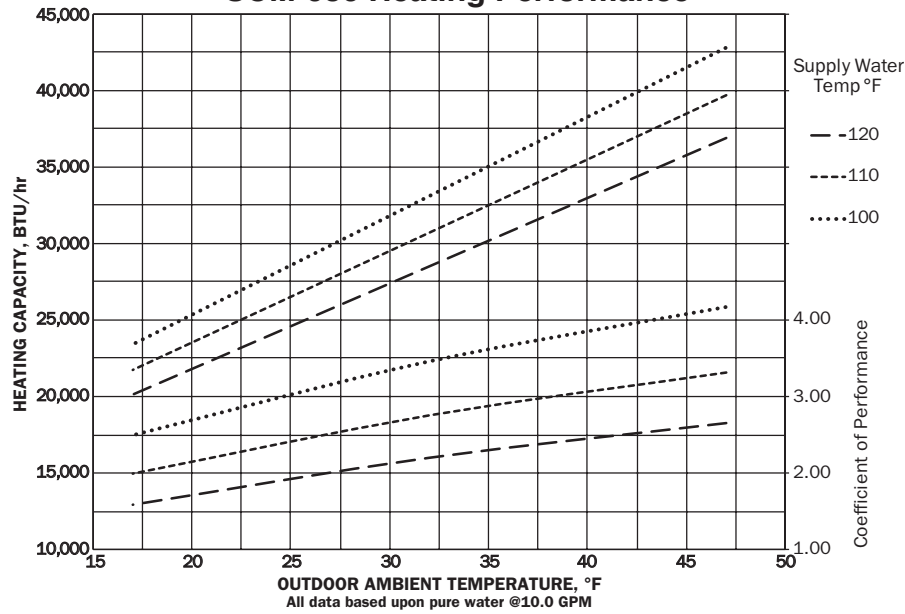
SCM-036 Heating Operation

SCM-036 Cooling Operation

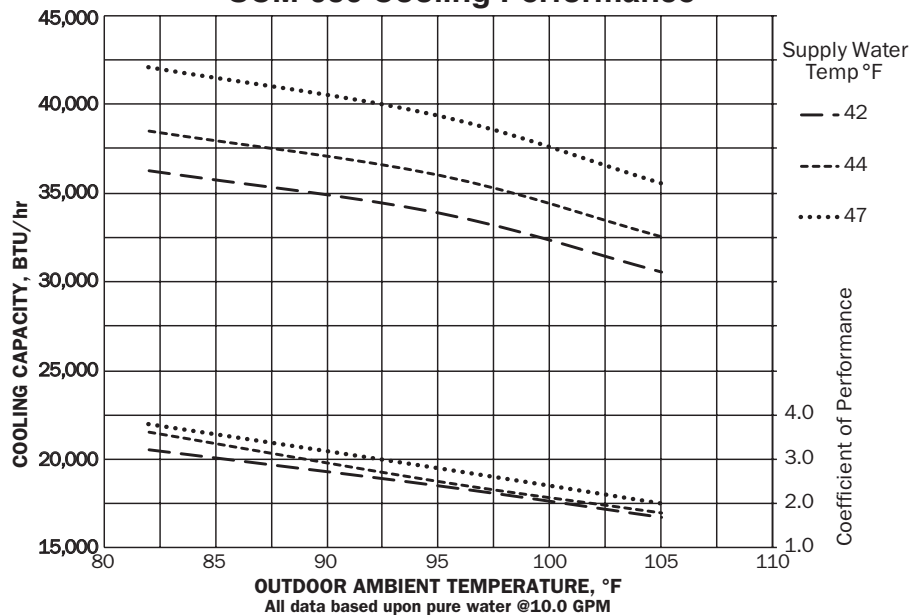
Supply Water Temp °F	Ambient Temp °F	Capacity BTU/hr	Water DP ft WC	Watts	COP	Supply Water Temp °F	Ambient Temp °F	Capacity BTU/hr	Water DP ft WC	Watts	COP
100	17	23,397	12.0	2,742	2.50	42	82	36,225	12.0	3,019	3.20
	32	33,075	12.0	2,801	3.46		95	33,872	12.0	3,528	2.40
	47	42,754	12.0	3,008	4.16		105	30,579	12.0	4,497	1.70
110	17	21,718	12.0	3,190	1.99	44	82	38,500	12.0	3,208	3.60
	32	30,703	12.0	3,258	2.76		95	36,000	12.0	3,750	2.50
	47	39,687	12.0	3,499	3.32		105	32,500	12.0	4,100	1.80
120	17	20,160	12.0	3,710	1.59	47	82	42,070	12.0	3,825	3.80
	32	28,500	12.0	3,790	2.20		95	39,338	12.0	4,522	2.80
	47	36,840	12.0	4,070	2.65		105	35,514	12.0	5,822	2.00

All data based upon pure water @ 10.0 GPM

SCM-036 Heating Performance



SCM-036 Cooling Performance



SUBMITTAL DATA: Heat Pump SCM060 Series

PERFORMANCE

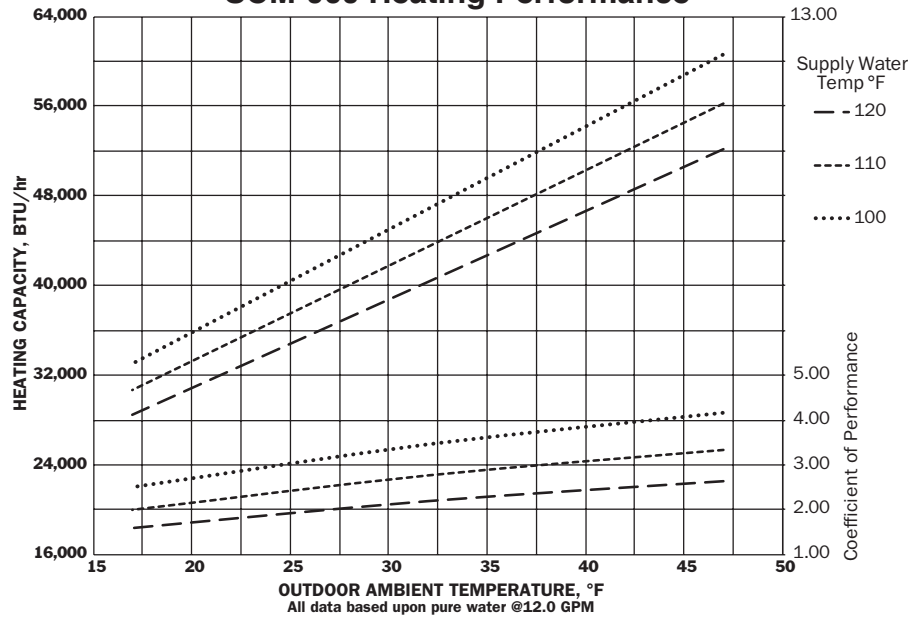
SCM-060 Heating Operation

SCM-060 Cooling Operation

Supply Water Temp °F	Ambient Temp °F	Capacity BTU/hr	Water DP ft WC	Watts	COP	Supply Water Temp °F	Ambient Temp °F	Capacity BTU/hr	Water DP ft WC	Watts	COP
100	17	33,075	13.5	3,880	2.50	42	82	54,102	13.5	5,281	3.00
	32	46,828	13.5	3,970	3.45		95	45,163	13.5	5,510	2.40
	47	60,580	13.5	4,263	4.16		105	34,343	13.5	6,285	1.60
110	17	30,703	13.5	4,513	1.99	44	82	57,500	13.5	5,262	3.20
	32	43,468	13.5	4,618	2.76		95	48,000	13.5	5,622	2.50
	47	56,234	13.5	4,959	3.32		105	36,500	13.5	5,938	1.80
120	17	28,500	13.5	5,249	1.59	47	82	62,832	13.5	5,411	3.40
	32	40,350	13.5	5,371	2.20		95	52,451	13.5	5,485	2.80
	47	52,200	13.5	5,768	2.65		105	39,885	13.5	5,840	2.00

All data based upon pure water @ 12.0 GPM

SCM-060 Heating Performance



SCM-060 Cooling Performance

