

Air-to-Water Reverse Cycle Heat Pump

STANDARD FEATURES

- 2 Independent Refrigeration Circuits/ True 2-Stage Operation
- Simple Piping & Plumbing
- Easily Zoned
- 30% Larger Condenser Coil than Traditional Units
- Self Diagnostic Control – Carel Factory Programmed – Field Adjustable
- Simplified Installation & Ease of Service
- Quiet Operation
- Highest R-410A COP and EER
- No Refrigerant Handling
- Low Ambient Antifreeze Protection
- 30% Less Refrigerant than Conventional Split System
- Durable Baked Enamel Finish
- Automatic Lead/Lag between Compressors



MODEL: SCM060A4 Qty. _____

Model	SCM - 060
Heating Capacity	52,200 BTUh (15.3 kW)
Heating COP	2.65
Cooling Capacity	48,000 BTUh (14.1 kW)
Voltage	230v/1ph/60Hz
Min Supply Temp	36°F (2.2°C)
Max Supply Temp	125°F (51.7°C)
Rated Water Flow	12 GPM (45.9 L/Min)
dP @ Rated Flow	24.2 ft (72.4 kPa)
Heating Current	25.6 amps
Cooling Current	24.8 amps
Noise Level	56 dB (A)
Compressor	Rotary x 2
Installed Weight	407 lbs (185 kg)



260 North Elm St., Westfield, MA 01085
(800) 465-8558 Fax: (413) 564-5815

7555 Tranmere Drive, Mississauga, ONT. L5S 1L4 Canada
(905) 670-5888 Fax: (905) 670-5782

www.spacepak.com

PROJECT: _____ **DATE:** _____

LOCATION: _____

CUSTOMER: _____

ENGINEER: _____

SUBMITTED BY: _____

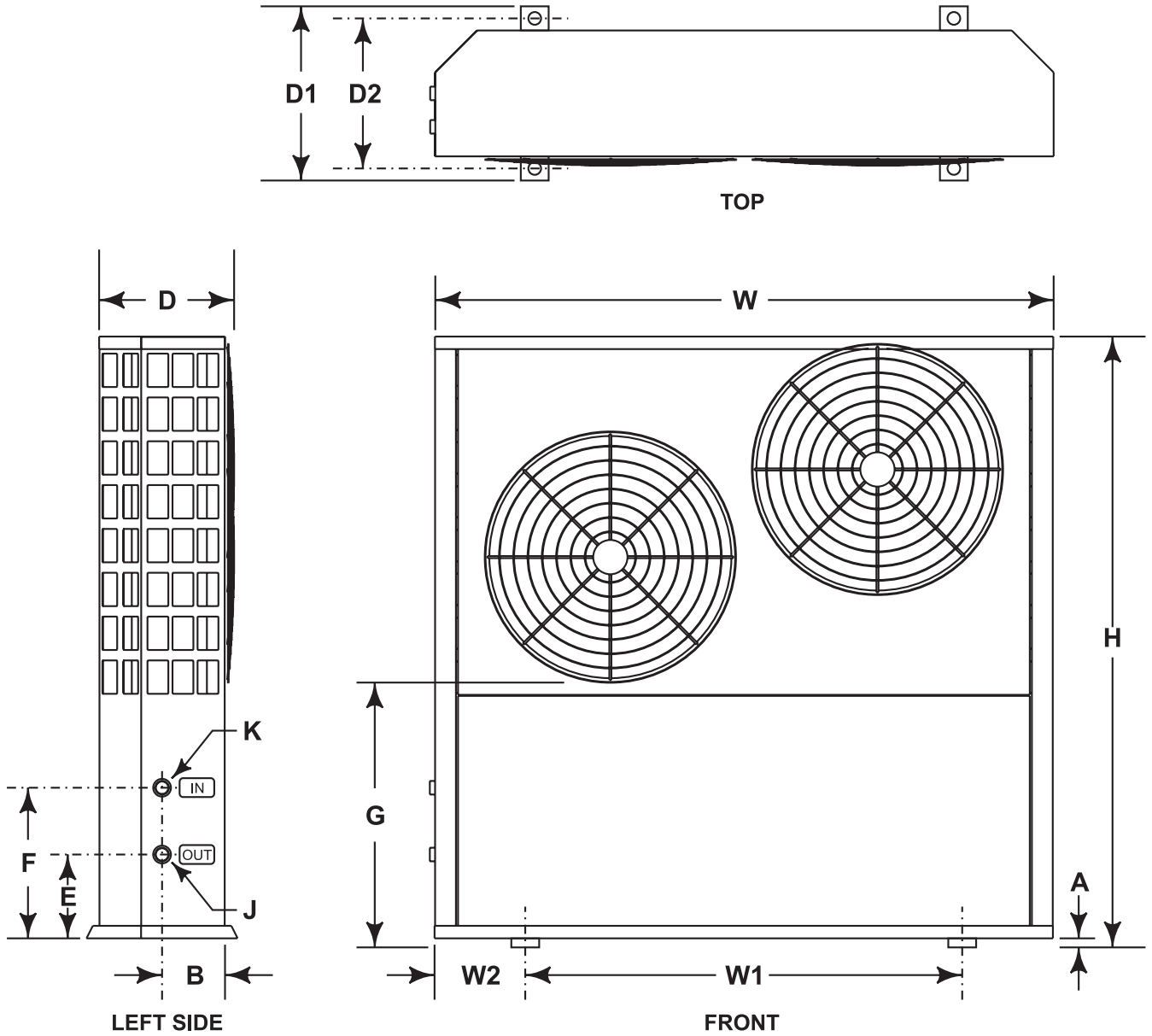
FOR: Reference Approval Construction

UNIT DESIGNATION: _____

SCHEDULE NUMBER: _____

SUBMITTAL DATA: Heat Pump SCM060 Series

DIMENSIONS



Model	A	B	D	D1	D2	E	F	G	H	J	K	W	W1	W2
	Leg height	Front to return	Cabinet depth	Mounting lug depth	Mounting lug centers	Bottom to return	Bottom to supply	Base to bottom edge of lower fan	Overall Height	Supply connection	Return connection	Overall width	Mounting lug centers	Lug center to edge
SCM-060	1"	10"	17 3/4"	17 3/8"	15 3/4"	5 1/2"	15 1/4"	25"	53"	1" NPT	1" NPT	43 3/8"	27 1/2"	7 15/16"

SUBMITTAL DATA: Heat Pump SCM060 Series

PERFORMANCE

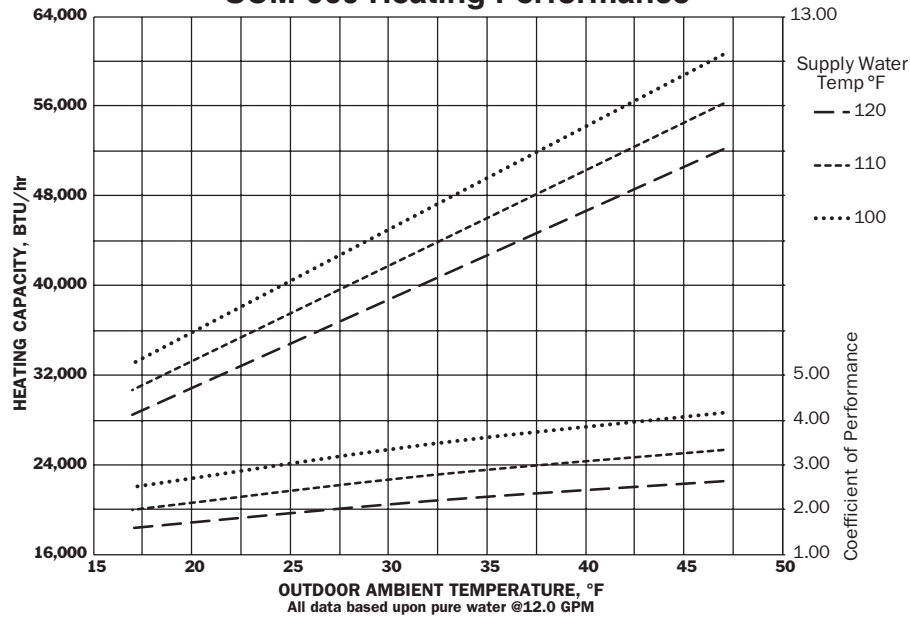
SCM-060 Heating Operation

SCM-060 Cooling Operation

Supply Water Temp °F	Ambient Temp °F	Capacity BTU/hr	Water DP ft WC	Watts	COP	Supply Water Temp °F	Ambient Temp °F	Capacity BTU/hr	Water DP ft WC	Watts	COP
100	17	33,075	13.5	3,880	2.50	42	82	54,102	13.5	5,281	3.00
	32	46,828	13.5	3,970	3.45		95	45,163	13.5	5,510	2.40
	47	60,580	13.5	4,263	4.16		105	34,343	13.5	6,285	1.60
110	17	30,703	13.5	4,513	1.99	44	82	57,500	13.5	5,262	3.20
	32	43,468	13.5	4,618	2.76		95	48,000	13.5	5,622	2.50
	47	56,234	13.5	4,959	3.32		105	36,500	13.5	5,938	1.80
120	17	28,500	13.5	5,249	1.59	47	82	62,832	13.5	5,411	3.40
	32	40,350	13.5	5,371	2.20		95	52,451	13.5	5,485	2.80
	47	52,200	13.5	5,768	2.65		105	39,885	13.5	5,840	2.00

All data based upon pure water @ 12.0 GPM

SCM-060 Heating Performance



SCM-060 Cooling Performance

