

Single Zone Hydronic Heating/AC Module

STANDARD FEATURES

- ECM Fan Technology
- 110V Power Supply
- Heating/Cooling Hydronic Coil
- Outer Insulation Cover
- Heavy Duty Plastic Clamshell Design
- Integrated Drain Pan
- Quick Connect 15mm to 1/2" Push Fit Connection
- Control Board
 - Fan Speed Control
 - Fresh Air Introduction Control (Optional)
 - Temperature Set Points
 - Alarm Settings
 - *water temp*



RATING & CAPACITIES

RATED CAPACITY @ 5 GPM

- Cooling .75 Tons
(9,000 btu/h) (250 CFM)
EWT 42°F
- Heating 23,500 btu/h (250 CFM)
EWT 160°F

ELECTRICAL:
120V/1ph/60 Hz

FAN WATTS:
90W

FLOW RATE:
5 GPM

SOUND PRESSURE LEVEL:
22 dBA

WEIGHT:
39 LBS.

PIPING & DUCTING

FIELD PIPE SIZE:
15mm OD

DUCT:
2" Flexible
6" Flexible
7" Flexible

SUPPLY ADAPTER

- 4 – 2" Round Qty. _____
- 6" Round Qty. _____
- 7" Round Qty. _____

RETURN ADAPTER

- 6" Round Qty. _____
- 7" Round Qty. _____

PLASTIC SPECIFICATION

MATERIAL:
Cycoloy Resin C6600 UL94 Rated

DIMENSIONS

WIDTH:
23-1/2"

DEPTH:
35-1/2"

HEIGHT:
9-1/16"



260 North Elm St., Westfield, MA 01085
(800) 465-8558 Fax: (413) 564-5815

7555 Tranmere Drive, Mississauga, ONT. L5S 1L4 Canada
(905) 670-5888 Fax: (905) 670-5782

www.spacepak.com

PROJECT: _____ DATE: _____

LOCATION: _____

CUSTOMER: _____

ENGINEER: _____

SUBMITTED BY: _____

FOR: Reference Approval Construction

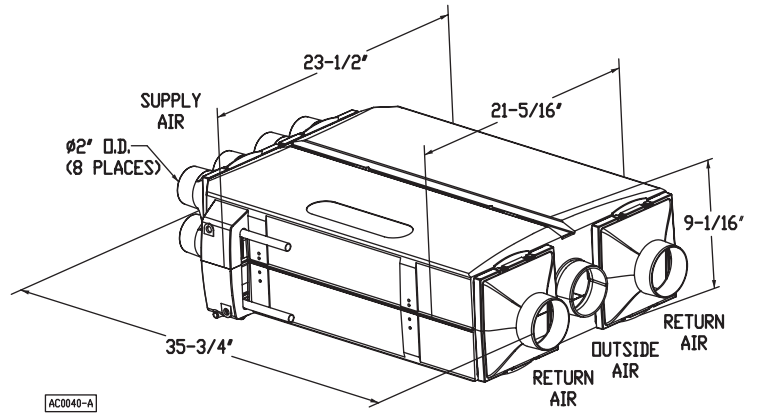
UNIT DESIGNATION: _____

SCHEDULE NUMBER: _____

SUBMITTAL DATA: AIRCELL SZSP-1440

DETAILS & DIMENSIONS

	Heating	Cooling
Entering Water Temperature	160°F	42°F
Btu/h @ 5 GPM	24,000	9,000
Tons	—	1.2
Fan Watts	90W	
CFM	250	
Flow Rate GPM	5	
Weight lbs.	39	



MINIMUM CLEARANCES – For Servicing

