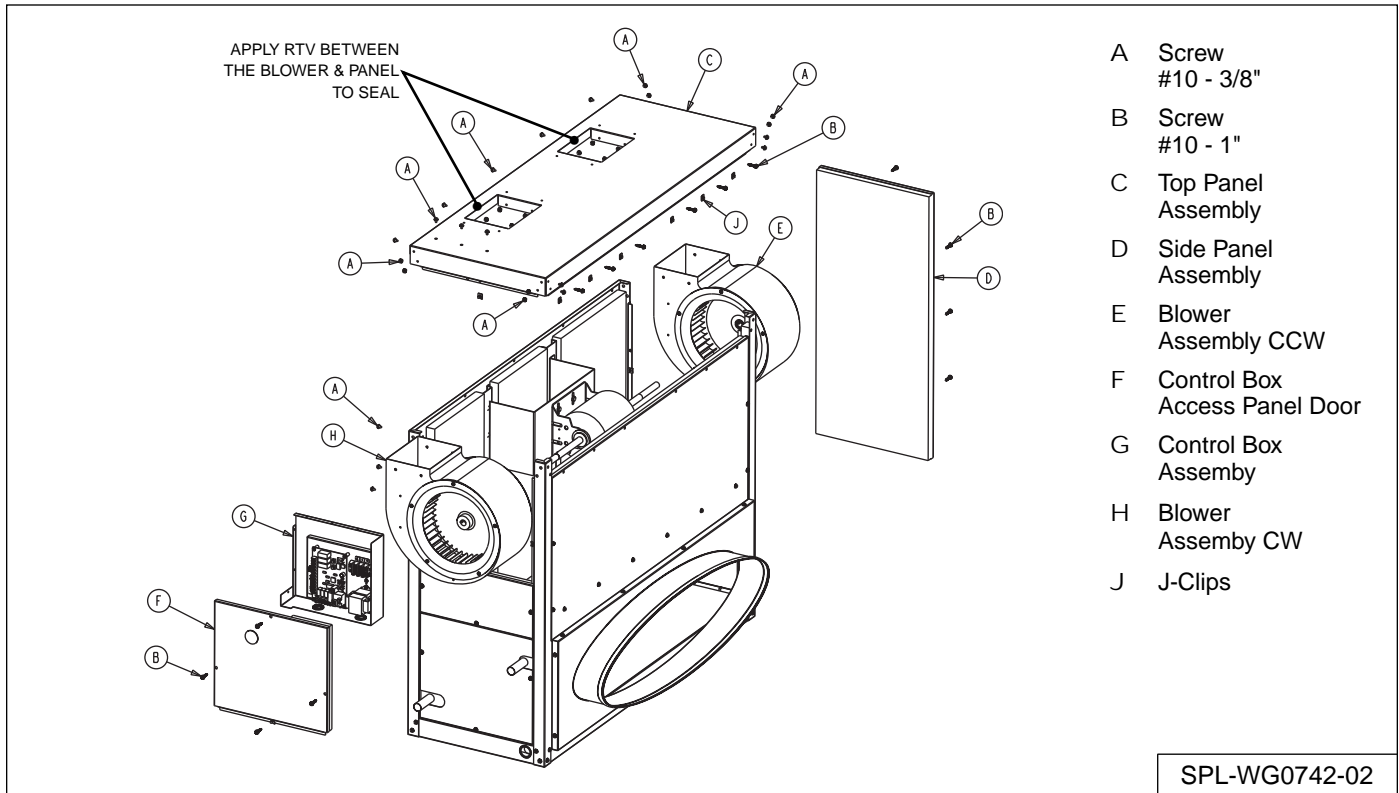


MODEL NO. WCS4860GV4O AND ESP4860GV4C – REPLACEMENT KIT NO. 45461RWG0748



- A Screw #10 - 3/8"
- B Screw #10 - 1"
- C Top Panel Assembly
- D Side Panel Assembly
- E Blower Assembly CCW
- F Control Box Access Panel Door
- G Control Box Assembly
- H Blower Assembly CW
- J J-Clips

INSTRUCTIONS

⚠ WARNING Electrical Shock Hazard
Disconnect all power before servicing unit.

Note: All screws removed will be replaced in Hardware Kit provided P/N 45473RWG0741-04.

J-clips will not be provided and must be reused (see below for J-clip orientation).

1. Remove (C) TOP PANEL ASSEMBLY by unscrewing twenty-six (A) #10 - 3/8" SCREWS and six (B) #10 - 1" SCREWS. Remove eight (J) J-CLIPS from the top panel and save for re-assembly.
2. Remove (D) SIDE PANEL ASSEMBLY by unscrewing eight (B) #10 - 1" SCREWS.
3. Remove (F) CONTROL BOX ACCESS PANEL DOOR and (G) CONTROL BOX ASSEMBLY by unscrewing three (A) #10 - 3/8" SCREWS and four (B) #10 - 1" SCREWS.
4. Remove (E) BLOWER ASSEMBLY CCW by sliding the blower off of the motor and replace it with: (E) BLOWER ASSEMBLY CCW P/N 45W35-WG0717.
5. Remove (H) BLOWER ASSEMBLY CW by sliding the blower off of the motor and replace it with: (H) BLOWER ASSEMBLY CW P/N 45W35-WG0733. Be sure to place the correct blower on the correct side of the motor. See image SPL-WG0742-02 above for more details.
6. Reattach (F) CONTROL BOX ACCESS PANEL DOOR and (G) CONTROL BOX ASSEMBLY by using three (A) #10 - 3/8" SCREWS and four (B) #10 - 1" SCREWS.
7. Reattach (D) SIDE PANEL ASSEMBLY by using eight (B) #10 - 1" SCREWS.
8. Place the eight (J) J-CLIPS back onto the top panel. Reattach (C) TOP PANEL ASSEMBLY by using twenty-six (A) #10-3/8" SCREWS and six (B) #10 - 1" SCREWS.
9. Seal the supply air openings (perimeter of blower housings) completely using the enclosed RTV. All gaps must be sealed at this air outlet!



"J" Clip Orientation:
Short Side Faces
Forwards Towards
Outside Of Unit