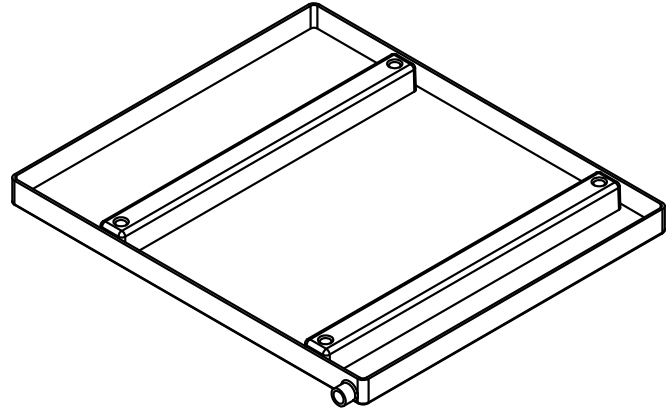




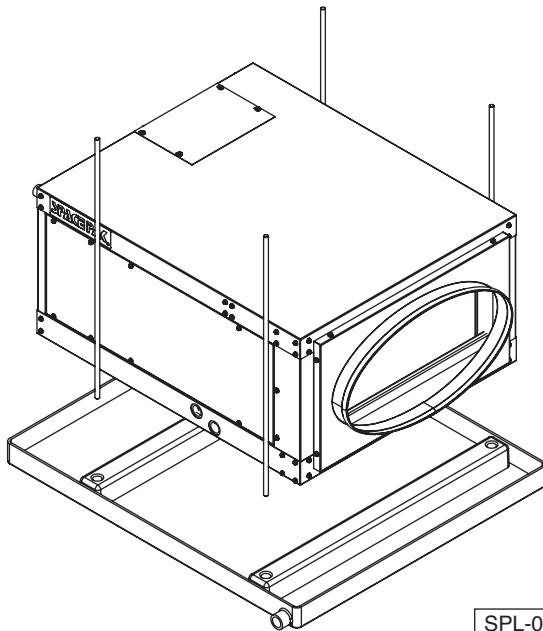
BASE PAK SECONDARY DRAIN PANS FOR HORIZONTAL FAN COIL UNITS



SpacePak has designed a series of secondary drain pans specifically sized for use with all horizontal fan coil units. Exclusive built-in supports raise the unit off the bottom of the drain pan. Installed with threaded rod, the unique pan construction fully supports the fan coil unit. For use with all ESP or WCSP series coil units.

STANDARD FEATURES

- Durable polyethylene will not rust
- Resistant to mold growth
- UL recognized material
- Integral multi-function support channels
- Supports unit when suspended with threaded rod
- Fits through hole cut-out used for return air box
- Threaded 3/4" drain connection
- Meets International Mechanical Code 307.2.3



SPL-0086

DIMENSIONAL DATA (inches)

Unit Size	2430	3642	4860
Model #	AC-BASE-2	AC-BASE-3	AC-BASE-5
Height	2-3/16	2-3/16	2-3/16
Width	29	38	48
Length	32-1/2	32-1/2	32-1/2
Wt./pc (Lbs.)	7	9	11

01/08

260 NORTH ELM ST.
WESTFIELD, MA 01085
(413) 564-5530/FAX (413) 564-5815



7555 TRANMERE DRIVE
MISSISSAUGA, ONTARIO L5S 1L4 CANADA
(905) 672-2991/FAX (905) 672-2883