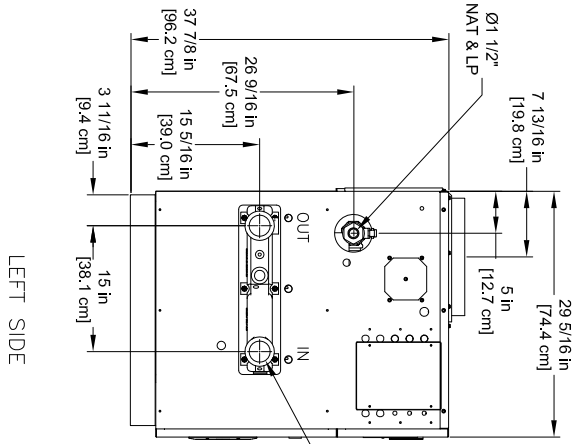
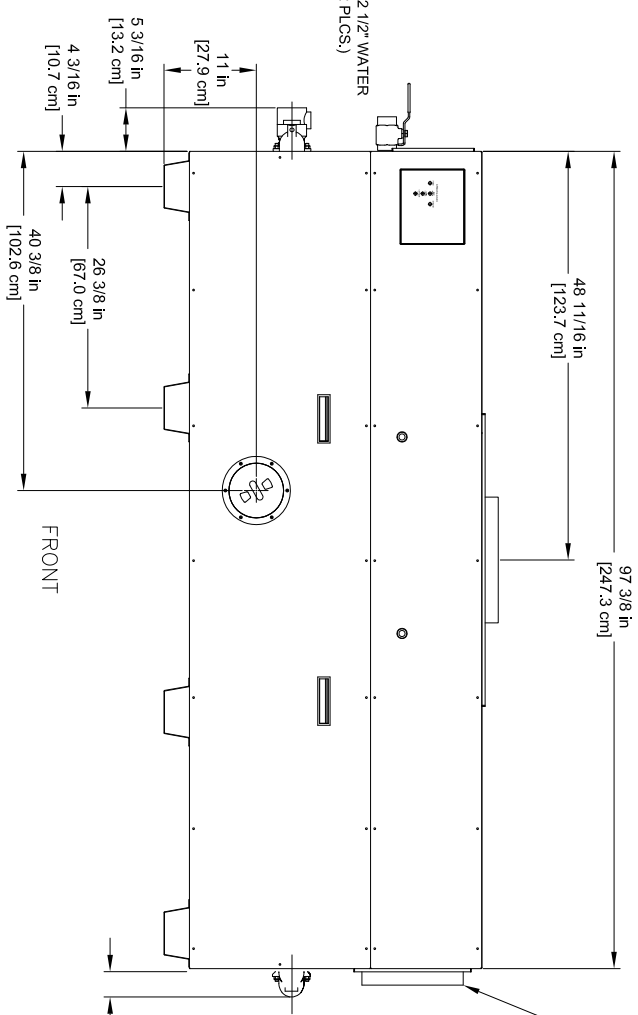


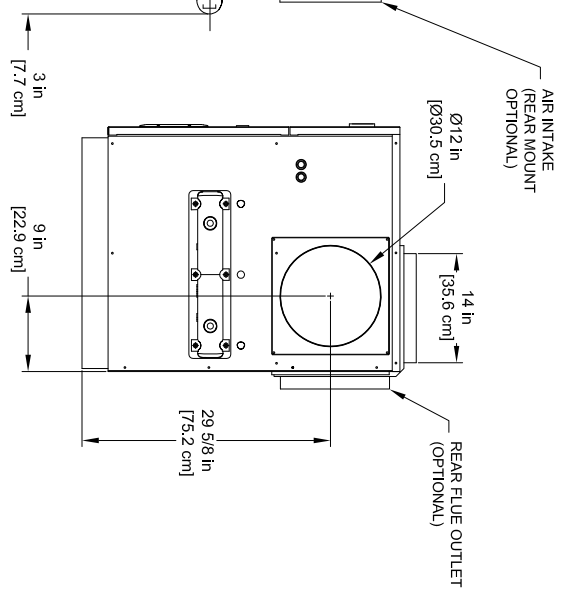
OUTDOOR TOP PANEL



LEFT SIDE



FRONT



RIGHT SIDE

Ø2 1/2" WATER (2 PLCS.)