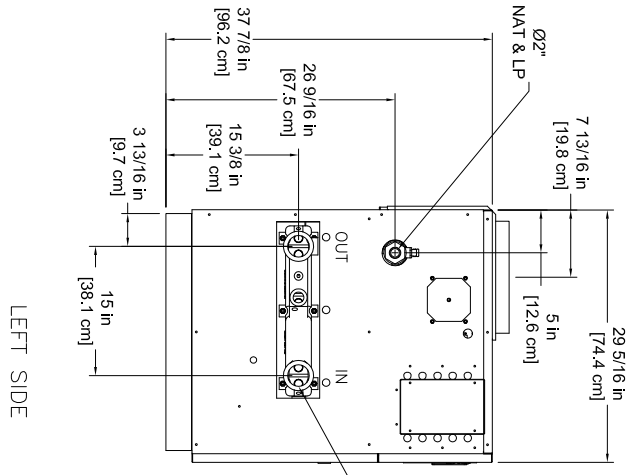
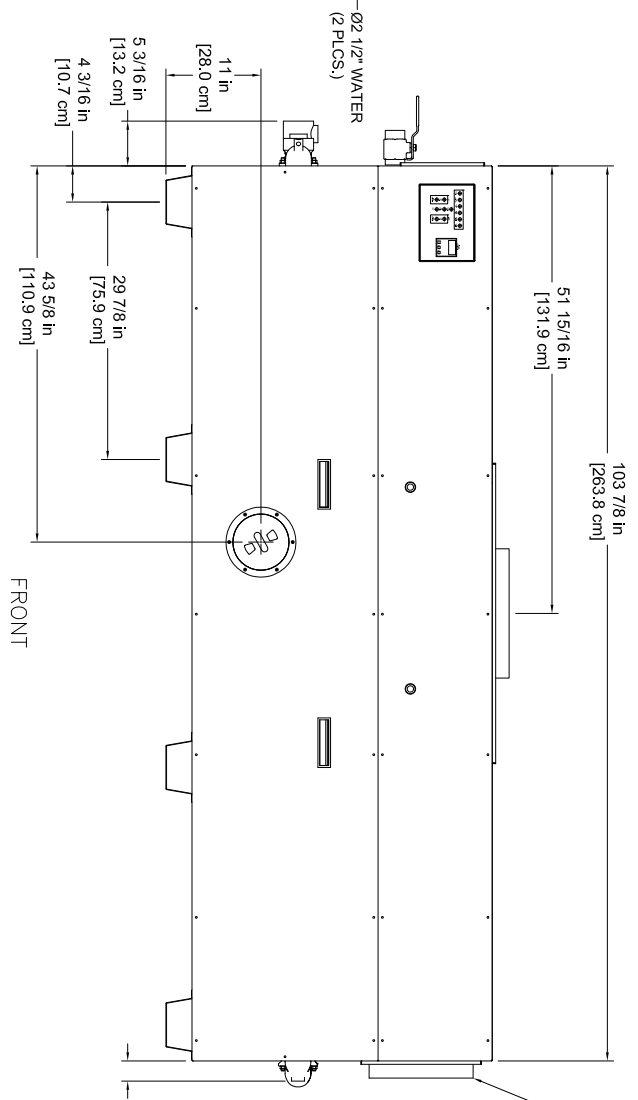


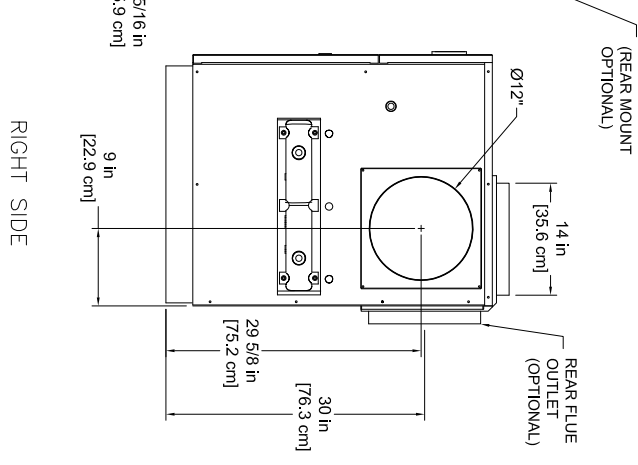
OUTDOOR TOP PANEL



LEFT SIDE



FRONT



RIGHT SIDE