



Domestic Hot Water Heaters and Boilers



8800
SERIES



DEPENDABLE DOMESTIC HOT WATER AND HYDRONIC SPACE HEATING... FROM CAR WASHES TO CONDOS.



RBI 8800 Series domestic hot water heaters and boilers provide reliable, efficient operation in a wide variety of commercial applications. Hot water heaters are ideal for applications with load diversity such as apartments/condominiums. The 8800 Series is also suitable for hotels, schools, hospitals, laundries and car washes – wherever a large volume of hot water is needed. High quality construction, quiet operation and a variety of control options also make the 8800 Series the perfect choice for hydronic heating applications with fast response, load matching and energy efficiency.

QUALITY CONSTRUCTION FOR DEPENDABLE, EFFICIENT PERFORMANCE

Integral, 2-pass heat exchanger and standard bronze headers ensure long-life performance and years of worry-free service. Unique design provides smooth heat transfer and energy efficiency as high as 82%. The 8800 Series virtually eliminates standby losses and condensation problems. The heat exchanger rests on a solid structural frame which reduces thermal shock. All sheet metal components are made of 16 or 18 gauge satin coat steel. Units are equipped with 100% copper and bronze waterway to prevent rust and corrosion.



STANDARD EQUIPMENT

- Bronze headers
- 2-pass, finned copper tube heat exchanger, National Board Certified 160 psi ASME
- Slide out heat exchanger and burner tray
- ASME pressure relief valve, mounted
- 2½" interlocking combustion chamber
- Built-in, integral draft diverter single flue opening
- Flow switch mounted and wired
- Inlet & outlet thermometers
- 115/24 volt transformer
- Front mount 24V controls
- Operating aquastat
- Leak test valves
- High limit control with manual reset
- Electronic intermittent pilot ignition
- Single phase pump delay

OPTIONAL EQUIPMENT

- Single pass heat exchanger
- On/off, two stage, four stage, or modulating firing modes
- Flame safeguard ignition with motorized gas valves and 110V controls
- Dual flue outlet
- Power venter
- Low & high gas pressure switches
- Cupro-nickel heat exchanger
- Low water cut-off
- Tekmar® BTC control for staged firing
- Keyboard display module S7800A
- Alarm for flame failure with silencing switches

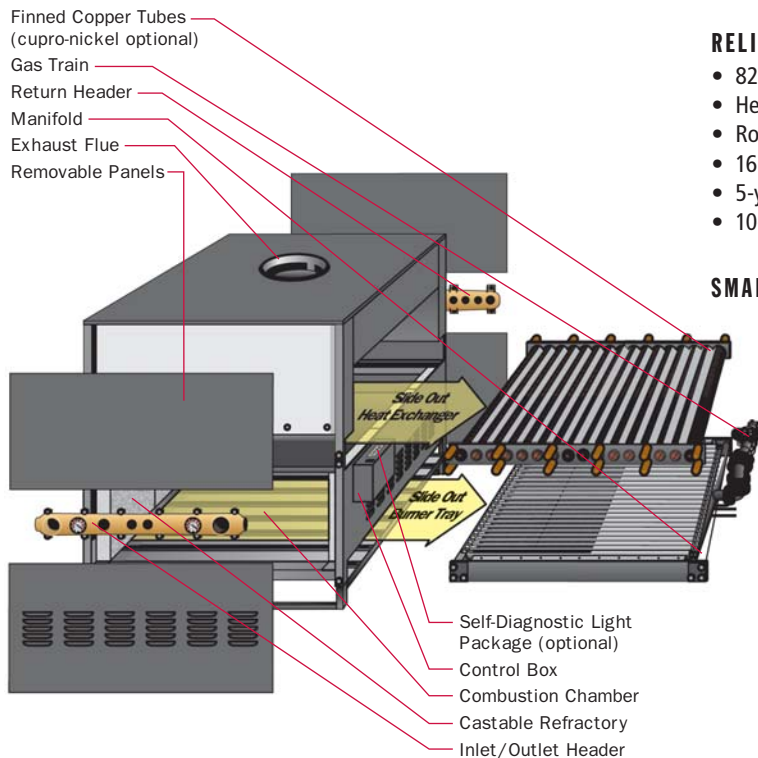
RELIABLE, EFFICIENT PERFORMANCE

- 82% efficient
- Heavy duty structural steel frame
- Robust spark ignition
- 16 or 18 gauge sheet metal components
- 5-year heat exchanger warranty, hot water supply boilers
- 10-year heat exchanger warranty, hydronic heating boiler

SMART SERVICE DESIGN

Ease of installation and service are trademarks of all RBI water heaters and boilers. Critical components are fully accessible, including slide out burner tray and heat exchanger to make short work of service and maintenance calls. All major components can be inspected or removed without disturbing boiler casing or breaching.

- Slide out heat exchanger
- Up front 24 volt controls
- Slide out burner tray
- High temperature ceramic fiberboard insulation
- Victaulic connections
- Field reversible headers
- Gas and water connections from either the left or right hand side of the unit



MEA#117-96-E

RECOVERY CAPACITY (GPH & LPH)

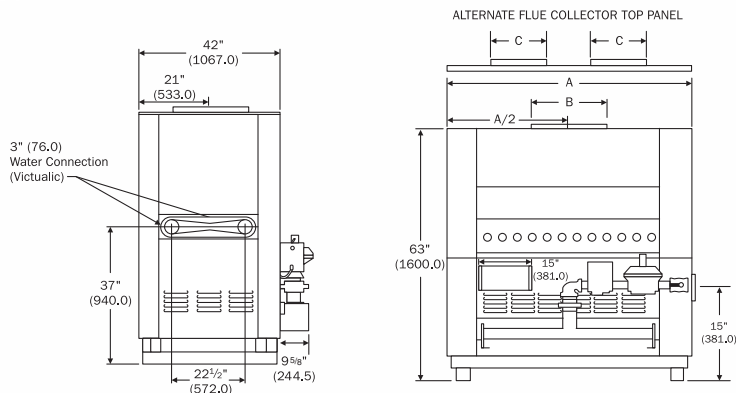
Model	40° F	22° C	60° F	33° C	80° F	44° C	100° F	56° C	120° F	67° C	140° F	78° C
2000	4,922	18,632	3,281	12,421	2,461	9,316	1,969	7,453	1,641	6,211	1,406	5,323
2400	5,906	22,358	3,938	14,905	2,953	11,179	2,363	8,943	1,969	7,453	1,688	6,388
2800	6,891	26,084	4,594	17,390	3,445	13,042	2,756	10,434	2,297	8,695	1,969	7,453
3200	7,875	29,811	5,250	19,874	3,938	14,905	3,150	11,924	2,625	9,937	2,250	8,517
3600	8,860	33,537	5,906	22,358	4,430	16,769	3,544	13,415	2,953	11,179	2,531	9,582
4000	9,844	37,263	6,563	24,842	4,922	18,632	3,938	14,905	3,281	12,421	2,813	10,647

HEAT EXCHANGER HEAD LOSS & TEMPERATURE RISE

Model	20° F		11.1° C		25° F		13.9° C		30° F		16.7° C		35° F		19.4° C	
	Flow Rate	Pres Drop	Flow Rate	Pres Drop	Flow Rate	Pres Drop	Flow Rate	Pres Drop	Flow Rate	Pres Drop	Flow Rate	Pres Drop	Flow Rate	Pres Drop	Flow Rate	Pres Drop
	GPM	Ft	ℓ/s	kPa	GPM	Ft	ℓ/s	kPa	GPM	Ft	ℓ/s	kPa	GPM	Ft	ℓ/s	kPa
2000	164.0	4.1	10.3	12.0	131.2	2.7	8.3	8.0	109.3	1.9	6.9	5.7	93.7	1.4	5.9	4.3
2400	196.8*	6.8	12.4	20.0	157.4	4.5	9.9	13.2	131.2	3.2	8.3	9.4	112.5	2.4	7.1	7.1
2800	—	—	—	—	183.7	6.9	11.6	20.3	153.1	4.9	9.7	14.5	131.2	3.7	8.3	10.9
3200	—	—	—	—	—	—	—	—	174.9	7.2	11.0	21.1	149.9	5.4	9.5	15.8
3600	—	—	—	—	—	—	—	—	196.8*	10.0	12.4	29.3	168.7	7.5	10.6	22.0
4000	—	—	—	—	—	—	—	—	—	—	—	—	187.4*	10.1	11.8	29.6

DIMENSIONS AND RATINGS

Model	Input		Output		Net I=B=R		Flue Vent				Dual Exhaust Vent		Connections		
	MBH	kW	MBH	kW	Rating		Dim. A		Dim. B		Dim. C		Gas		Water
	In.	mm	In.	mm	MBH	kW	In.	mm	In.	mm	In.	mm	Nat.	LP	In.
2000	2,000	586	1,640	480	1,414	414	55	1,397	22	559	14	356	1½	1½	3
2400	2,400	703	1,968	577	1,696	497	64	1,625	24	610	16	406	2	1½	3
2800	2,800	820	2,296	673	1,979	580	73	1,854	26	660	18	457	2	1½	3
3200	3,200	938	2,624	769	2,262	663	82	2,083	28	711	20	508	2	2	3
3600	3,600	1,055	2,952	865	2,545	746	91	2,311	30	762	22	559	2	2	3
4000	4,000	1,172	3,280	961	2,827	828	100	2,540	30	762	22	559	2	2	3



NOTES:

- Minimum clearance from combustible material is: 24" top, 48" front, 24" back and 24" side.
- Minimum frontal clearance for burner service is 48".
- Dimensions in parenthesis are in millimeters.
- The 8800 Series are category I appliances and must be vented into a negative pressure vent system.

In the interest of product improvement, RBI reserves the right to make changes without notice.

SHIPPING WEIGHT

Model	lbs.	kgs.
2000	1,400	635
2400	1,500	680
2800	1,600	726
3200	1,750	794
3600	1,975	896
4000	2,100	953



7555 Tranmere Drive, Mississauga, Ontario L5S 1L4
Tel. (905) 670-5888 Fax (905) 670-5782

260 North Elm Street, Westfield, MA 01085
Tel. (413) 568-9571 Fax (413) 568-9613

A MESTEK COMPANY www.rbiwaterheaters.com