

AIRLINE™

L O U V E R S

AS26G45V3CL

2" To 6" Deep Stationary Extruded Aluminum Grille Screen

FRAME & BLADES

2" to 6" deep extruded aluminum 6063-T6-T52 alloy at .125" to .250" nominal thickness. Horizontal blade can be angled from 0° to 45°. Vertical blade depth can be 1" minimum.

BLADE SPACING:

Blades can be 2" to 12" vertical and horizontal spaced.

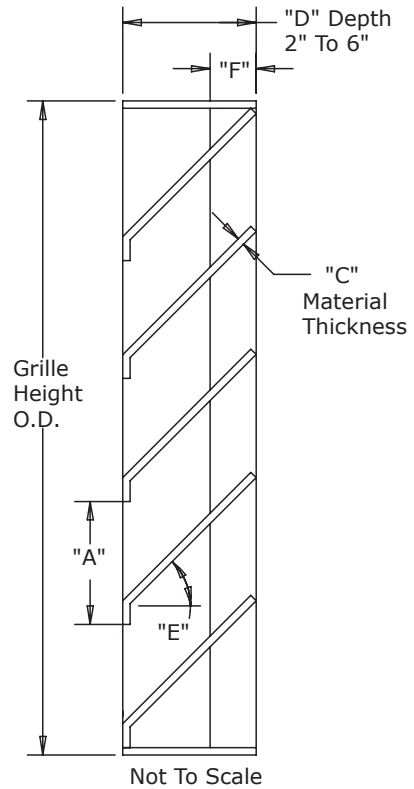
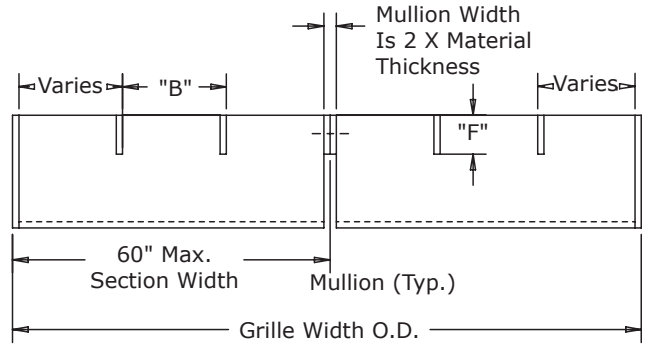
Unit Construction:

All welded construction

Finish: - Mill

Minimum Single Panel Size: 12" x 12"

Maximum Single Panel Size: 60" x 96" (40 sq. ft.)



Optional Frames



- "A" = 2" To 12" (Horizontal Blade Spacing)
- "B" = 2" To 12" (Vertical Blade Spacing)
- "C" = .125" to .250" (Material Thickness)
- "D" = 2" To 6" (Grille Depth)
- "E" = 0° To 45° (Blade Angle)
- "F" = 1" Minimum (Vertical Blade Depth)

ITEM	QTY	Width	Height	Width	Height	Mull	"A"	"B"	"C"	"D"	"E"	"F"	
		Opening Size		Grille Size (O.D.)									

PROJECT:	LOCATION:
ARCH/ENGR:	CONTRACTOR:
REPRESENTATIVE:	DATE: