



Portable Air Conditioners Condensate Pump Kit

*Models: 5KK14BEA2AA00,
5KK21BGA2AA00, 5KK30BGA2AA00*

User's & Installation Manual

Component Parts

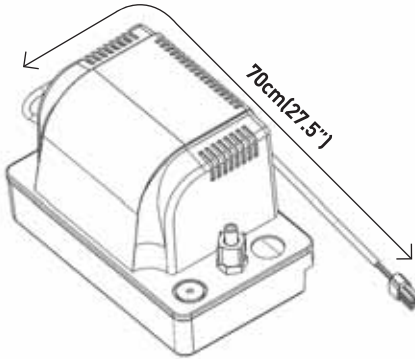


Figure 1 – condensate pump



Figure 2 – bolt two piece

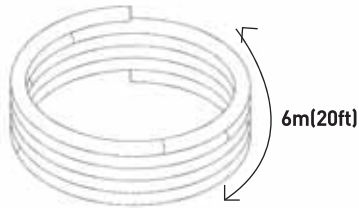


Figure 3 – hose.01

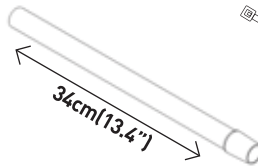


Figure 4 – hose.02

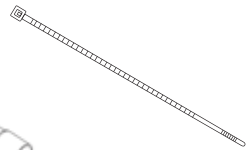


Figure 4-A – cable tie



Figure 5 – condensate pump clamp part.01



Figure 6 – condensate pump clamp part.02

ASSEMBLY

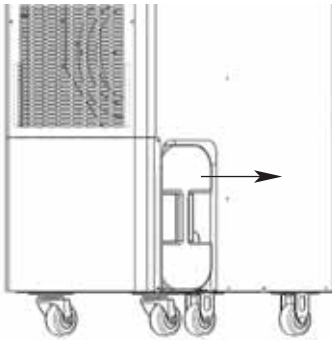


Figure 7 – Front and Right Side View

1. Turn off the air conditioner.
2. Remove the water tank.

1. Install the condensate pump clamp part2 (figure 6) on the hole of condensate pump guide
NOTE: Confirm the direction is correct

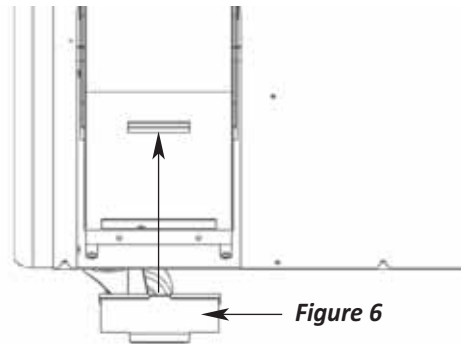


Figure 8 – Right Side View

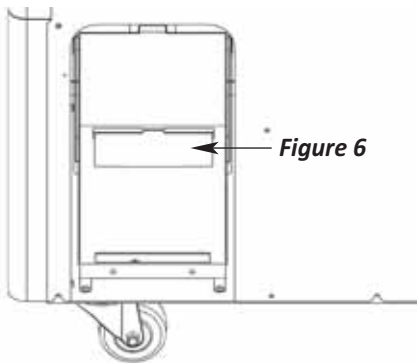


Figure 9 – Right Side View

1. After install the condensate pump clamp part2, confirm it is same as Figure 6.

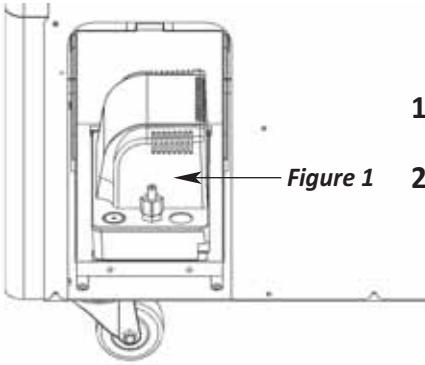


Figure 10 – Right Side View

1. Install the condensate pump (figure 1) onto the condensate pump guide.
2. Confirm the condensate pump clamp part2 (figure 6) is positioned properly.

1. Install the condensate pump clamp part1 (figure 5) onto the condensate pump.
2. Confirm it is installed as same as figure 12.

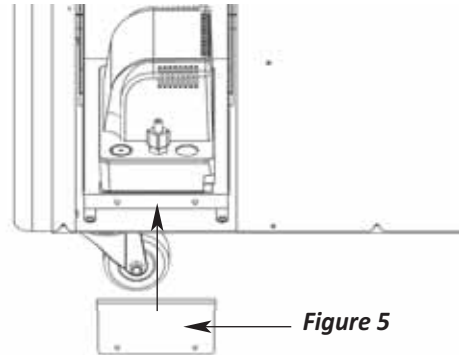


Figure 11 – Right Side View

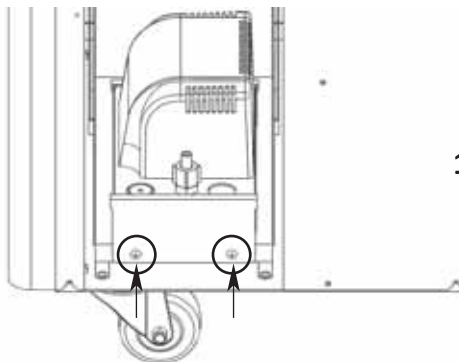
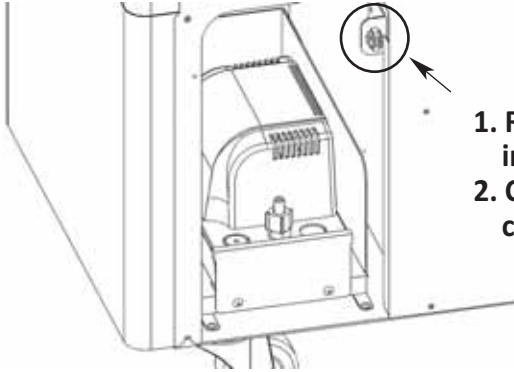


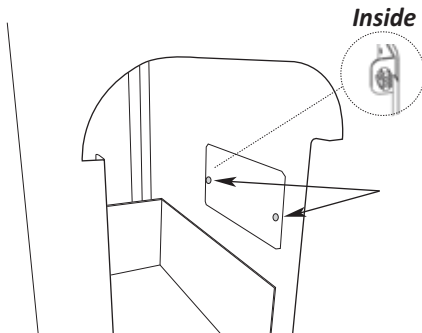
Figure 12 - Right Side View

1. Tighten 2 Screws using a screwdriver.



1. Remove the cap on the terminal in the Figure 13.
2. Conncet the wire of the condensate pump to the terminal.

Figure 13 – Right Side View (5KK14BEA2AA00 / 5KK21BGA2AA00)



1. Remove the bolts(2) and remove the cover.
2. Remove the cap on the terminal in the Figure 14.
3. Conncet the wire of the condensate pump to the terminal.

Figure 14 – Right Side View (5KK30BGA2AA00)

1. Connect the hose1 (figure 3) to the condensate pump as you see in the Figure 15.

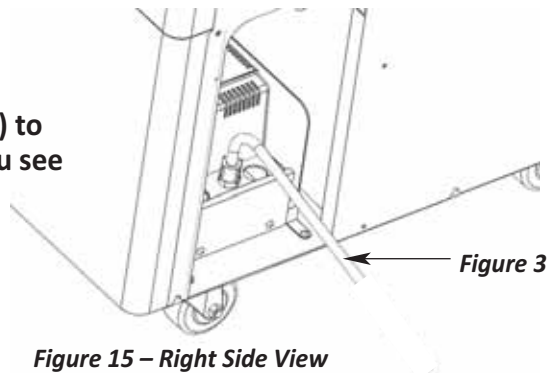


Figure 15 – Right Side View

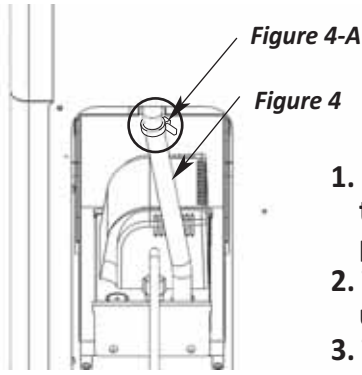


Figure 16 – Right Side View

1. Connect the hose2 (figure 4) between the condensate pump and upper drain pipe as you see in the Figure 16.
2. Tighten the cable tie (figure 4-A) on the upper part of the hose.02
3. Turn on the air conditioner then condensate pump operates automatically.