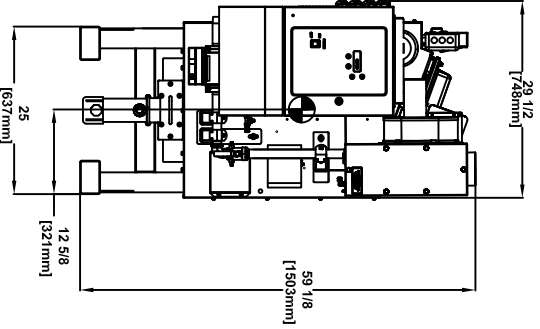
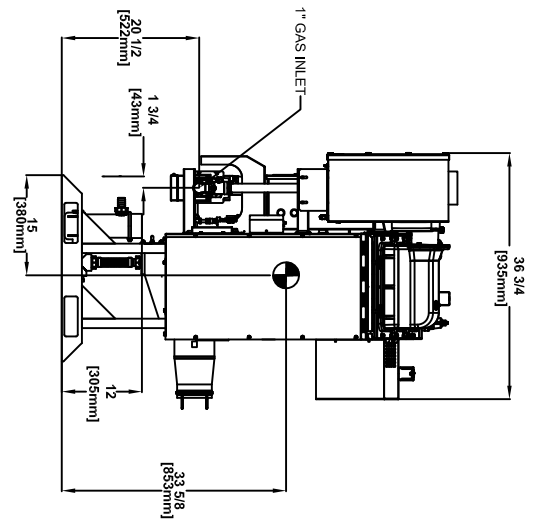


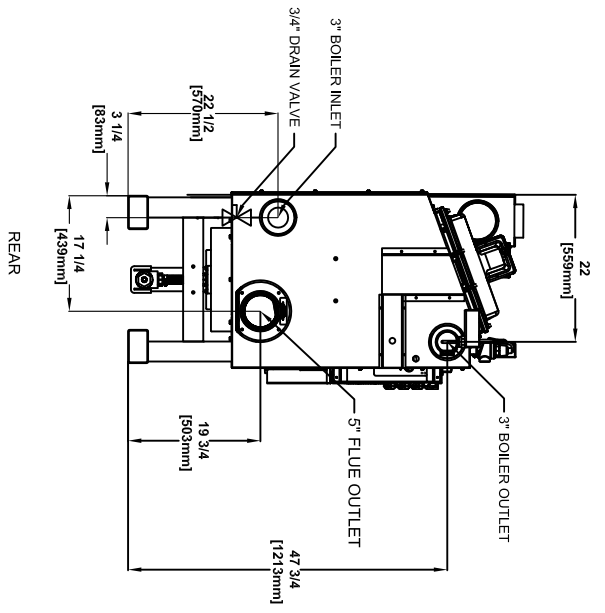
LEFT SIDE



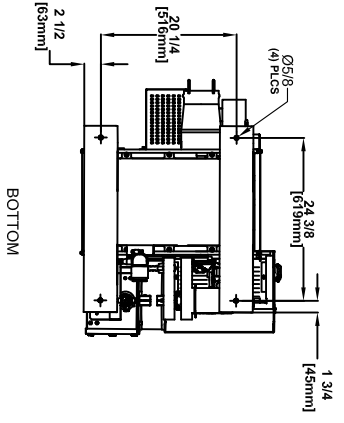
FRONT



RIGHT SIDE



REAR



BOTTOM

NOTE: Dimensions are approximate and should not be used to "rough in" equipment.

