



ONEX[®]

Wall-Mounted Gas-Fired Heaters



E EMBASSY
INDUSTRIES
Inc.



Patented 316L stainless steel full flow heat exchanger incorporates a tri-parallel flow design that yields high efficiency through even heat transfer and low water pressure drops. This radial flow heat exchanger is manufactured using robotic laser welding techniques for precision construction. "H" stamp ASME code certified.

High efficiency, low restriction cylindrical shaped premix mesh burner and negative pressure gas valve allows a 5 to 1 boiler capacity turndown. DOE rated efficiency of 93% AFUE. Easy to access for scheduled maintenance.

ONEX[®] Residential Wall-Mounted Gas Boiler

The Onex series of condensing boilers utilize a patented tri-parallel flow heat exchanger and state of the art premix air/gas modulation firing system for optimal combustion. Onex series boilers have AFUE ratings of 93% and come in a convenient space saving wall-hung design. Units are offered in both "combi" and "heat only" configurations.

"Combi" units provide both hydronic heat and semi-instantaneous hot water all in one complete compact package. "Combi" units include as standard features a mounted and wired system circulator pump and expansion tank.

"Heat only" units are offered with no integral domestic hot water package allowing customers the use of their current hot water supply equipment. "Heat only" models can be easily piped to an indirect fired storage tank for additional storage capacity.

All units utilize a panel mounted "on-board" electronic control platform that allow for easy set-up and custom system configuration.

Onex series units are installation and maintenance friendly. All fuel and water utility connections are conveniently located at the bottom of the unit, external to the cabinet for ease of connection and service.

The Onex is at the top of its class for performance and safety.

Standard Features

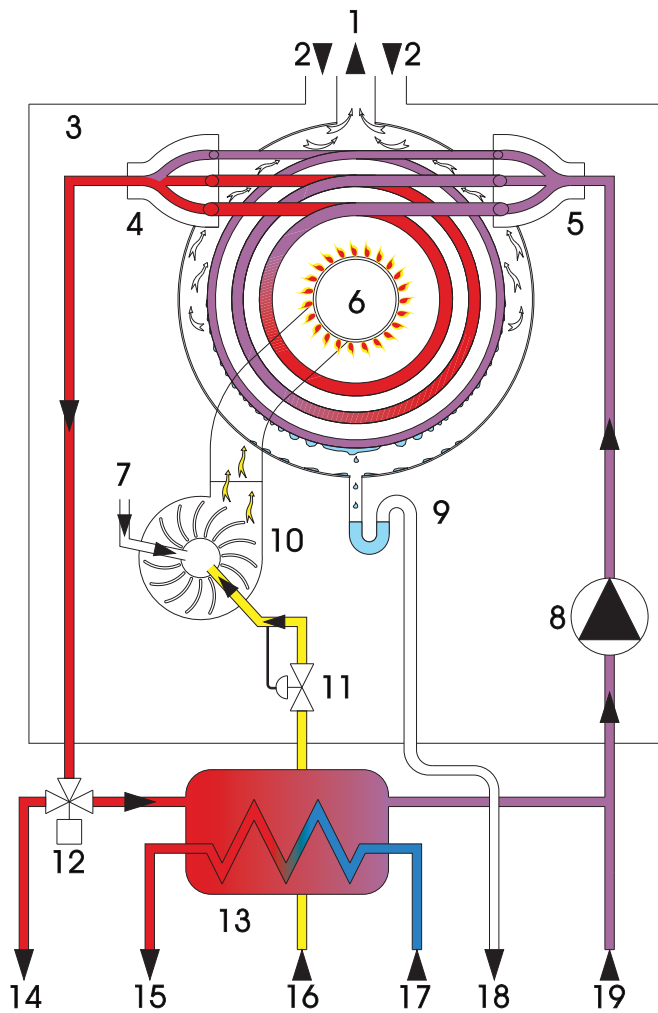
("Combi & Heat only" units)

- 93% AFUE
- ASME heat exchanger
- Patented tri-parallel flow stainless steel tubes
- Premix burner technology
- Full 5:1 modulation (30,000 – 160,000 btuh)
- Environmentally friendly – low NOx – less than 15 ppm SCAQMD approved
- Space saving wall mount

Standard Features

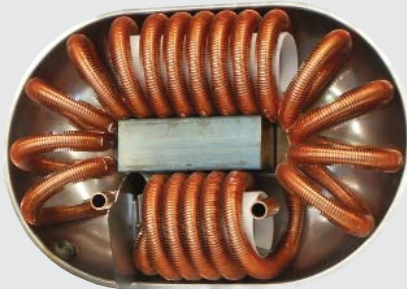
("Combi" only)

- Semi-instantaneous domestic hot water coil (4 GPM)
- Integral system circulator pump
- Integral expansion tank and air vent



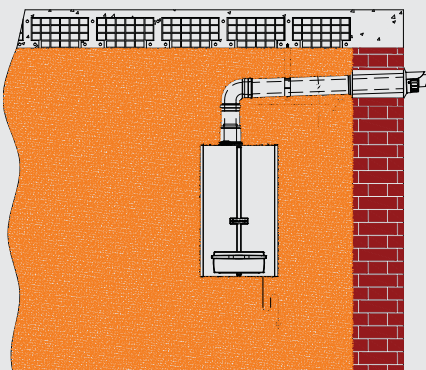
Operating Schematic

- 1 Flue exhaust
- 2 Air intake
- 3 Sealing chamber
- 4 Heating supply manifold
- 5 Heating return manifold
- 6 Environmentally friendly, premix burner
- 7 Air intake
- 8 Circulator pump
- 9 Condensate siphon
- 10 Fan
- 11 Pneumatic gas valve
- 12 Three way valve
- 13 DHW heat exchanger
- 14 Heating supply
- 15 Domestic hot water
- 16 Gas inlet
- 17 Domestic cold water
- 18 Condensate discharge
- 19 Heating return



Domestic Hot Water

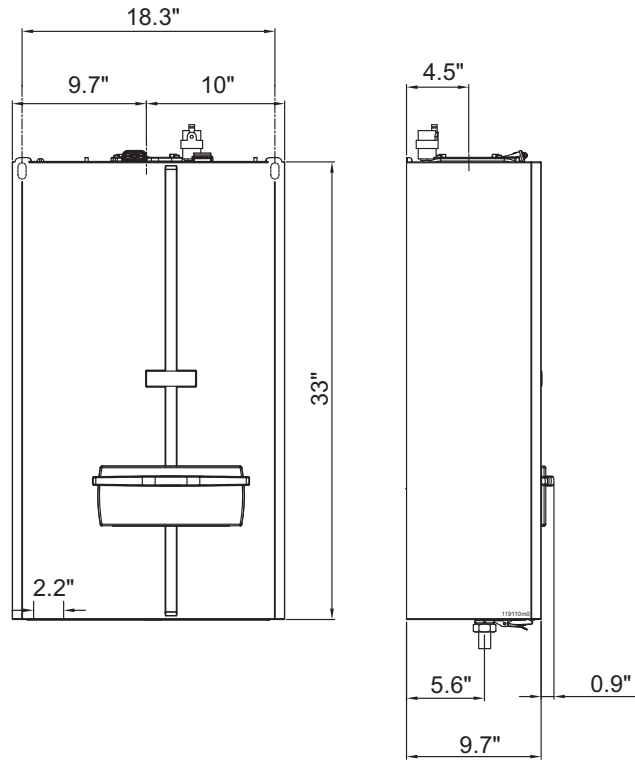
Enjoy ample low-cost domestic hot water without the expense of a separate water heater. The Onex's domestic water coil is integrated into the boiler cabinet and easily removed for annual maintenance. Producing up to 4 gallons per minute, the semi-instantaneous copper coil configuration has plenty of capacity for your hot water needs.



Venting

The Onex series is designed to be used with a concentric vent kit that can be vented either vertically or side-wall for application flexibility. Concentric vent kits allow the use of outside air for combustion, lowering fuel bills by reducing air infiltration. Kits are flexible and easy to install and can be vented up to 70 equivalent feet.

Dimensions for Wall-Mounted ONEX Combi



Ratings and Engineering Data

Model	Input Max (MBH)	Input Min (MBH)	Output Max (MBH)	Output Min (MBH)	AFUE	DHW Output (75°F Rise)	Vent (Split)	Vent (Concentric)	Connections (supply/return/gas)	Dimensions WxDxH (Approx)	Weight (lbs)
ONEX ("Combi")	160	30	142	28	93%	4	3"	4"	3/4"	20" x 10" x 33"	100
ONEX (Heat Only)	160	30	149	28	93%	N/A	3"	4"	3/4"	20" x 10" x 33"	87