

Submittal Data

Low Temperature
Hydronic Fan Coil

DESCRIPTION:

ThermaQuiet® is designed to perfectly complement today's condensing applications providing superior outputs and performance at reduced supply water temperatures, maximizing equipment performance efficiencies. Whether using a high efficiency boiler, heat pump or even solar hot water supply products, ThermaQuiet's energy efficient design saves over 35% when compared to traditional hydronic radiation products.

When used in a low temperature application or a traditional 180°F hot water supply temperature system ThermaQuiet's uniquely designed coil produces the most efficient heat distribution on the market today.

All units are controlled through a simple to use integrated micro-processor control platform that continuously monitors room temperatures through temperature compensation, minimizing energy consumption while maximizing operating efficiencies.

FEATURES AND BENEFITS:

- Attractive stylish design
- Solar and heat pump compatible
- Microprocessor control platform
- Insta-heat "boost" function
- Diagnostic and performance LED indicators
- Simple low cost installation
- Cool-touch exterior
- Replaces up to 25' of traditional baseboard

<u>Model Number</u>	<u>Quantity</u>
<input type="checkbox"/> DL65-WM	_____
<input type="checkbox"/> DL145-WM	_____

RATINGS

Entering Water Temperature

	GPM	Fan Speed	120°F	130°F	140°F	150°F	160°F	170°F	180°F
DL65-WM	1	Low	1402	1926	2487	2971	3296	3550	3858
		Boost	2876	3358	3922	4644	5144	5693	6487
	4	Low	1584	2176	2810	3357	3724	4012	4360
		Boost	3250	3795	4432	5248	5813	6433	7330
DL145-WM	1	Low	3152	3877	4501	5463	6855	7654	8195
		Boost	5805	6215	8352	10,243	11,865	12,951	14,340
	4	Low	3562	4381	5086	6173	7746	8649	9260
		Boost	6560	7023	9438	11,575	13,407	14,635	16,204

BTU/hr Output based on 65° entering air



260 North Elm St., Westfield, MA 01085
 (413) 564-5545 Fax: (413) 572-3764
 7555 Tranmere Drive, Mississauga, ONT. L5S 1L4 Canada
 (905) 670-5888 Fax: (905) 670-5782
 www.designlineonline.com

PROJECT: _____ DATE: _____
 LOCATION: _____
 CUSTOMER: _____
 ENGINEER: _____
 SUBMITTED BY: _____
 FOR: Reference Approval Construction
 UNIT DESIGNATION: _____
 SCHEDULE NUMBER: _____

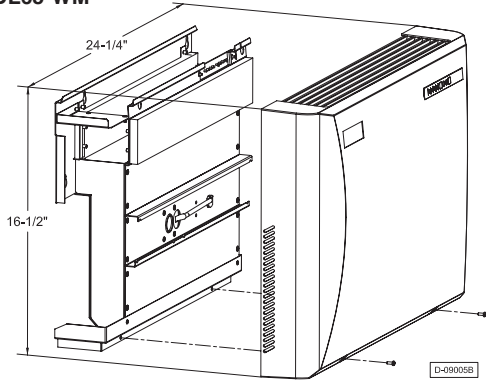
THERMAQUIET

Submittal Data

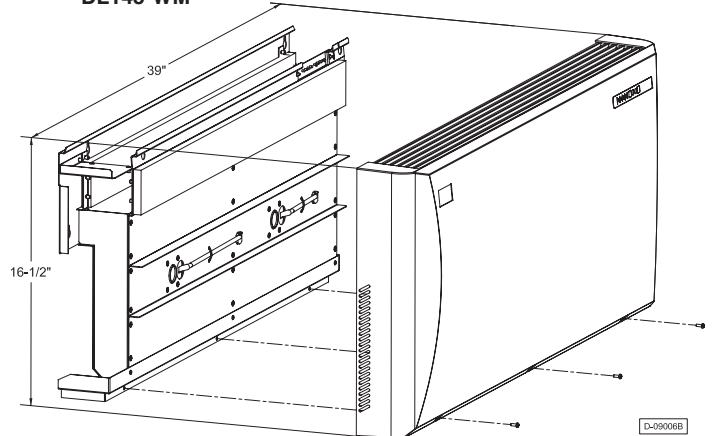
Low Temperature
Hydronic Fan Coil

DIMENSIONAL DATA

DL65-WM



DL145-WM



SPECIFICATIONS



	DL65-WM		DL145-WM	
	Low	Boost	Low	Boost
CFM	29	48	59	118
Voltage	115		115	
AMP	.64		1.28	
Max HP	.03		.06	
dBa	22	49	22	50
Velocity (ft/sec)	1.31	2.3	1.48	2.66
Dimensions	16.14H x 24W x 4.25D		16.14H x 38.78W x 4.25D	
Weight	19 lbs.		29 lbs.	

