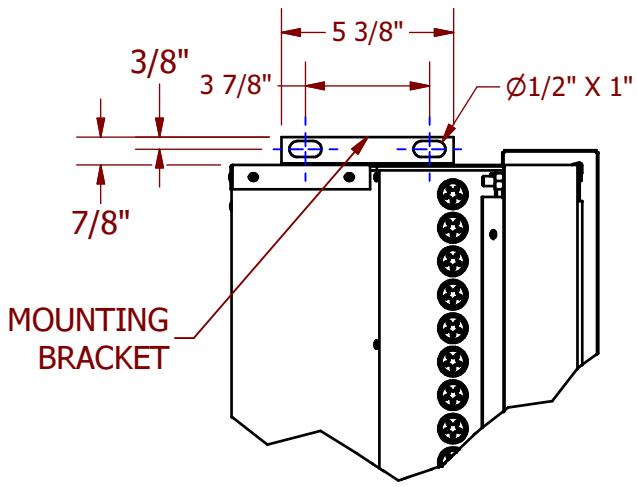
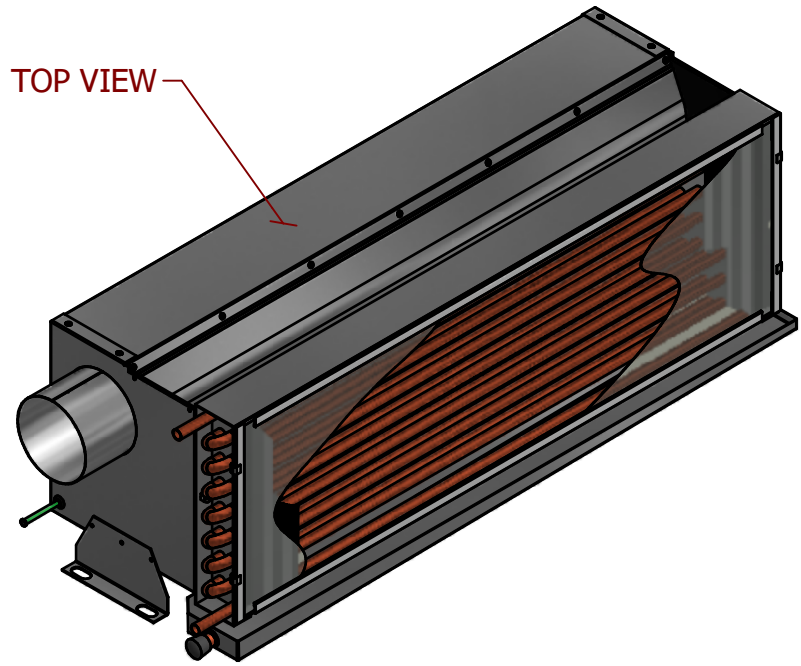


1/2" O.D. SWEAT CONNECTION	<input checked="" type="checkbox"/>
1/2" FEMALE NPT CONNECTION	<input type="checkbox"/>
1/2" MALE NPT CONNECTION	<input type="checkbox"/>
AIR INLET SIZE 3" □ 4"	<input type="checkbox"/> <input checked="" type="checkbox"/>
LINT SCREEN	<input checked="" type="checkbox"/>



NOMINAL UNIT LENGTH (ft)	UNIT LENGTH (in)	OVERALL LENGTH (in)	WEIGHT (lb)
2	24	28	27
3	32	36	35
4	40	44	42
5	52	56	49
6	64	68	56

- NOTES:**
- DRAWING INDICATES "A" AIR AND COIL CONNECTION HANDINGS (REFER TO MODEL CONFIGURATION KEY FOR AVAILABLE OPTIONS)
 - STANDARD DRAIN CONNECTION HANDING IS SAME AS COIL CONNECTION.

FMFBY SUBMITTAL DRAWING			
STRICTLY CONFIDENTIAL		DADANCO - A MESTEK CO.	
DADANCO - A MESTEK CO. 260 North Elm Street WESTFIELD, MA 01085 Ph. (413) 564-5657, Fax. (413) 568-2969 www.dadanco.com		TITLE FMFBY	
DRN	TS	7/7/2015	PROJECT NO:
CKD	CCS	7/7/2015	
APPD	CCS	7/7/2015	
ISSUED			File Name: FMLBY_Family.iam
UNLESS NOTED OTHERWISE ALL DIMENSIONS IN INCHES		ANSI STANDARD	SCALE: NTS
ANGULAR TOL: 1.0° LINEAR TOL: ±0.02"			SHEET: 1 / 1
			RELEASE