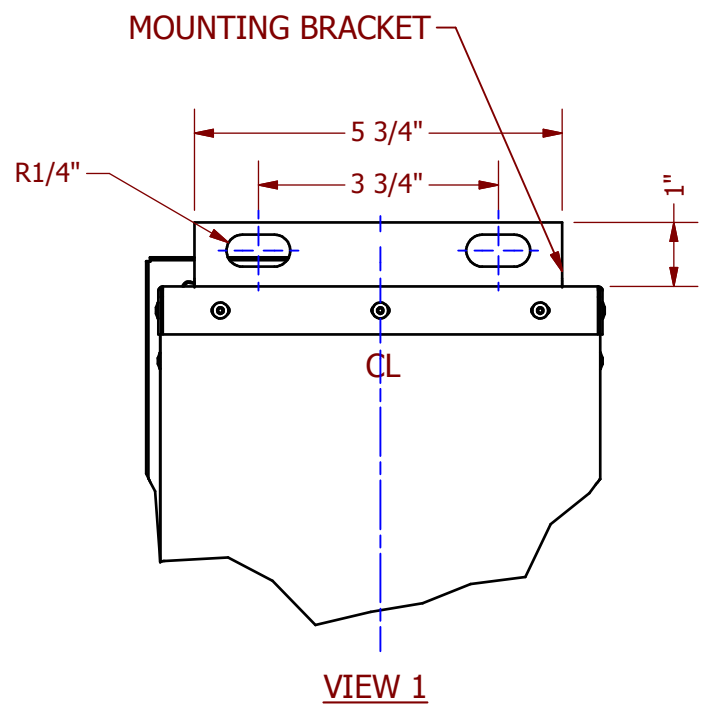
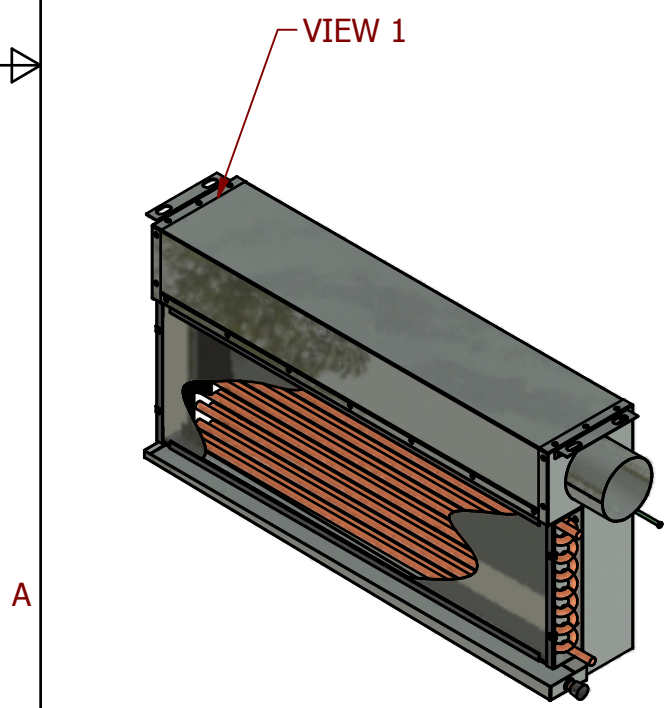


TABLE

NOMINAL UNIT LENGTH (ft)	UNIT LENGTH (in)	OVERALL LENGTH (in)	WEIGHT (lb)
2	24	28	27
3	32	36	35
4	40	44	42
5	52	56	49
6	64	68	56

AVAILABLE OPTIONS

Ø 1/2" O.D. SWEAT CONNECTION	<input type="checkbox"/>
Ø 1/2" FEMALE NPT CONNECTION	<input checked="" type="checkbox"/>
Ø 1/2" MALE NPT CONNECTION	<input type="checkbox"/>
ROUND AIR INLET SIZE 3" □ 4"	<input type="checkbox"/>
OVALIZED AIR INLET SIZE 6"	<input type="checkbox"/>
LINT SCREEN	<input checked="" type="checkbox"/>



NOTE:

- DRAWING INDICATES "A" HAND COIL CONNECTION, AIR AND DRAIN CONNECTION HANDING (REFER TO COIL HANDINGS LITERATURE FOR AVAILABLE OPTIONS).
- STANDARD DRAIN CONNECTION HANDING IS SAME AS COIL CONNECTION.

ACB35 SUBMITTAL DRAWING			
STRICTLY CONFIDENTIAL		DADANCO LLC	
<small>DADANCO LLC 260 North Elm Street WESTFIELD, MA 01085 Ph. (413) 564-5657, Fax. (413) 568-2969 www.dadanco.com</small>		0000-ACB353-25MN-4A282ASF0100010	
DRN	TS	3/21/2011	TITLE
CKD	CR	3/21/2011	0000-ACB353-25MN-4A282ASF0100010
APPD	DH	3/21/2011	
ISSUED			
<small>UNLESS NOTED OTHERWISE ALL DIMENSIONS IN INCHES ANGULAR TOL: 1.0° LINEAR TOL: ±0.06"</small>		<small>ANSI STANDARD</small> 	PROJECT NO: File Name: <small>FMTBY_Family.iam</small>
		SCALE: NTS	SHEET: 1/1
		RELEASE	