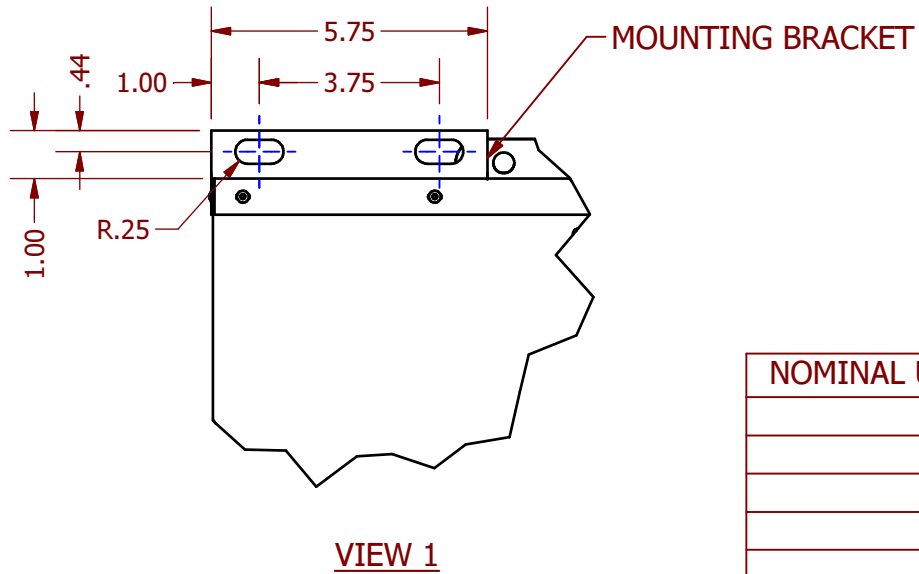


AVAILABLE OPTIONS	
Ø 1/2" O.D. SWEAT CONNECTION	<input checked="" type="checkbox"/>
Ø 1/2" FEMALE NPT CONNECTION	<input type="checkbox"/>
Ø1/2" MALE NPT CONNECTION	<input type="checkbox"/>
AIR INLET SIZE 3" □ 4"	<input checked="" type="checkbox"/>
LINT SCREEN	<input checked="" type="checkbox"/>

NOMINAL UNIT LENGTH (in)	UNIT LENGTH (in)	OVERALL LENGTH (in)	WEIGHT (lb)
2	24	28	27
3	32	36	35
4	40	44	42
5	52	56	49
6	64	68	56



NOTE:

1. DRAWING INDICATES "A" AIR AND COIL CONNECTION HANDINGS (REFER TO MODEL HANDING CONFIGURATION KEY FOR AVAILABLE OPTIONS)
2. STANDARD DRAIN CONNECTION HANDING IS SAME AS COIL CONNECTION.

ACB10 SUBMITTAL DRAWING					
STRICTLY CONFIDENTIAL			DADANCO - A MESTEK CO.		
DADANCO - MESTEK CO. 47 Westfield Ind Park Road WESTFIELD, MA 01085 Ph. (413) 564-5657, Fax. (413) 568-2969 www.dadanco.com			ACB10		
DRN	TS	3/18/2014	TITLE		
CKD	DH	3/18/2014	ACB10		
APPD		3/18/2014			
ISSUED			PROJECT NO:	File Name:	
UNLESS NOTED OTHERWISE ALL DIMENSIONS IN INCHES ANGULAR TOL: 1.0° LINEAR TOL: ±0.06"			ANSI STANDARD 	FMTBY_Family.iam	RELEASE
				SCALE:	