

# MODEL MA17

Non-Motorized • Airfoil Blade • 1½ Hour • Dynamically Rated • UL Classified Fire Damper

## STANDARD MATERIALS AND CONSTRUCTION

- FRAME:** 5½" x 7⁄8" x 16-GA galvanized steel hat channel
- BLADES:** 20-GA double skinned galvanized steel (equal to 14-GA), parallel action
- AXLES:** Square, plated solid steel stub
- BEARINGS:** Oil impregnated bronze
- LINKAGE:** Plated steel angle and crank plates with stainless steel pivots, in-jamb type
- STOPS:** 18-GA galvanized steel at head and sill
- JAMB SEALS:** Stainless steel
- ACTUATOR:** Non-motorized spring closure mechanism with 165°F fusible link
- FINISH:** Mill

## OPTIONS

- Sleeve of various depths and gauges
- Round or oval transitions
- 212°F fusible link



## NOTES

1. "A" width and "B" height are opening dimensions. Dampers are provided approximately ¼" undersize.
2. Approved for vertical and horizontal installations.
3. Optional auxiliary blade position indication switches are rated at 11A, 1/3HP, 125VAC. These snap action switches are intended to make or break a circuit and will not provide variable or proportional resistance.

## DAMPER SIZES

		2000 fpm, 4 in.wg		4000 fpm, 4 in.wg
Orientation	Hor and Vert	Horizontal and Vertical		Hor and Vert
Panels	Min Panel	Max Single Panel	Max Assy Panel	Max Single Panel
Rectangular	4"W x 4"H (8"W x 8"H frame)	32"W x 48"H	64"W x 36"H 32"W x 72"H	32"W x 36"H
Round	6" dia. (8"W x 8"H frame)	30" dia.	34" dia.	30" dia.
Oval	6"W x 6"H (8"W x 8"H frame)	30"W x 46"H	62"W x 34"H 30"W x 70"H	30"W x 34"H

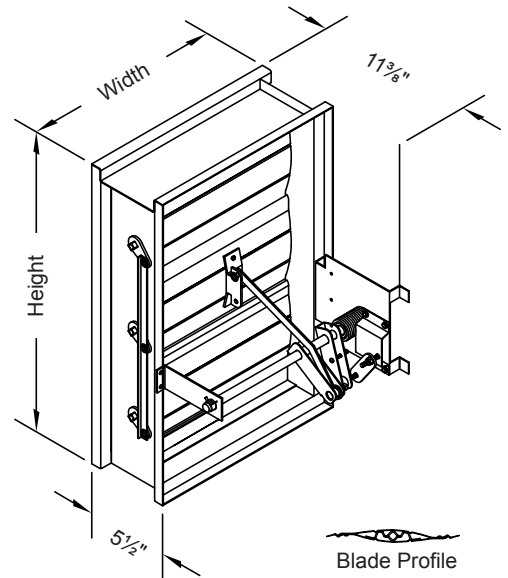
**UNDERWRITERS LABORATORIES INC.®**  
 CLASSIFIED DYNAMIC FIRE DAMPER  
 FIRE RESISTANCE RATING 1½ HR  
 IN ACCORDANCE WITH UL-555  
 SEE U.L. FIRE RESISTANCE DIRECTORY

Arrow United **FILE #R4708**

This fire damper meets the construction and performance requirements of

- Underwriters Laboratories Inc. Standards 555
- National Fire Protection Association Standards 80 and 90A
- ICC's International Building Code
  
- Underwriters Laboratories Inc. Approved for dual direction airflow and dynamic conditions.
- Underwriters Laboratories Inc. Classified for use in fire resistive ratings of less than 3 hours.



# MODEL MA17

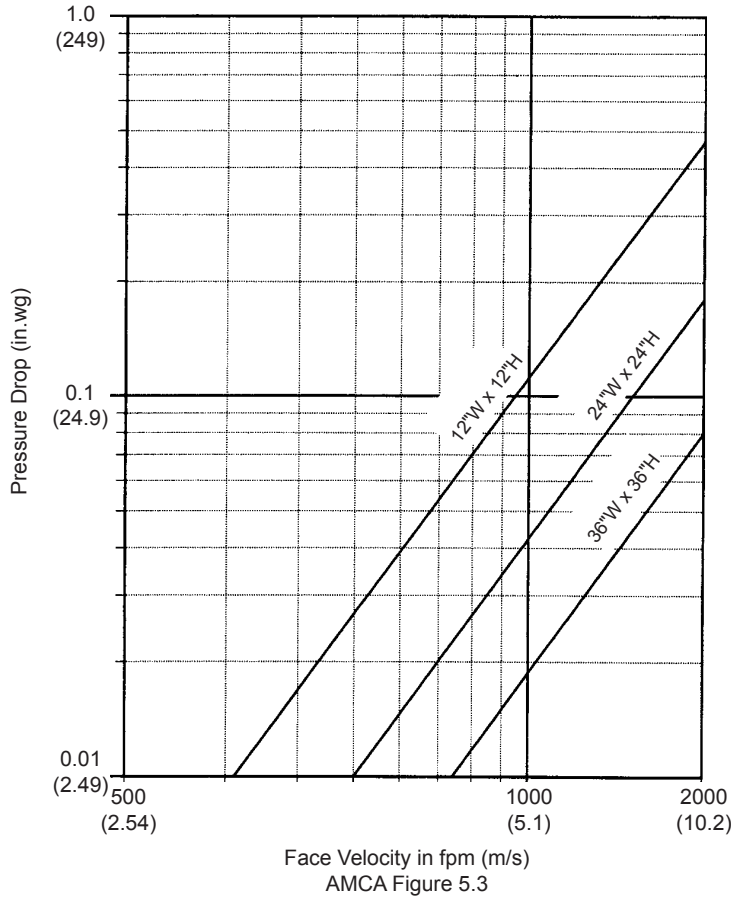
Non-Motorized • Airfoil Blade • 1½ Hour • Dynamically Rated • UL Classified Fire Damper

### Operations Rating:

Maximum Differential Pressure: 4 in.wg  
Maximum Velocity: 2000 fpm (4000 fpm through 32"W x 36"H)

### Pressure Drop Rating:

The pressure drop data shown below is based on laboratory conditions. The test setup does not take into account elbows or other duct fittings that are part of every actual duct system. The configuration of the actual duct system immediately upstream and downstream of the damper often contributes more pressure loss than the damper itself.



This product was tested in accordance with AMCA Standard 555.

