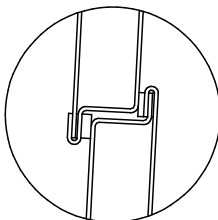
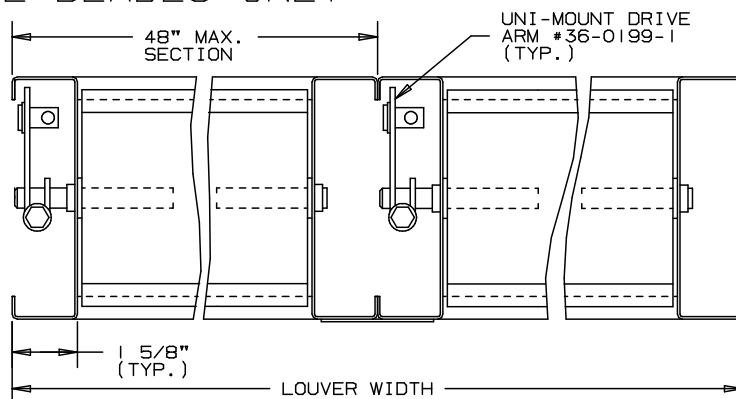
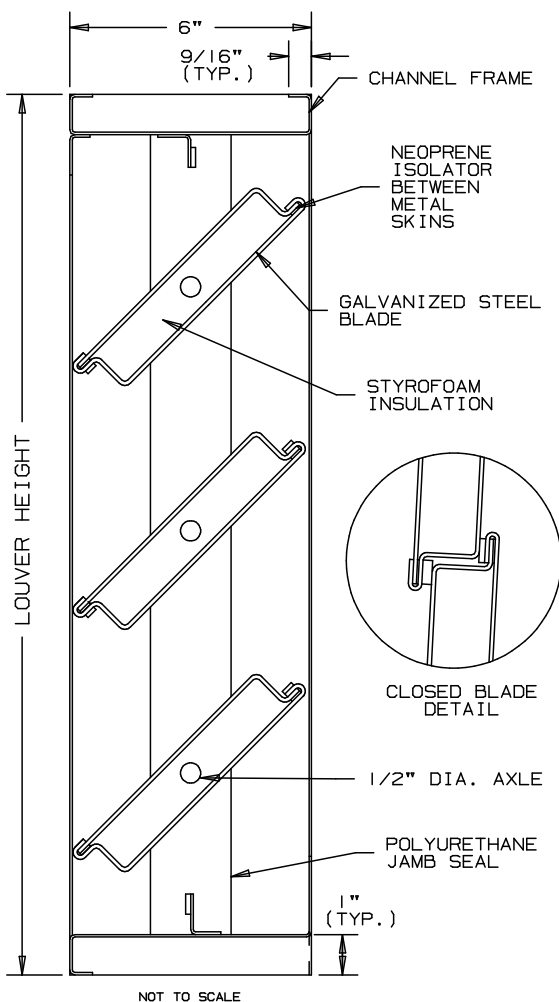


# ARROW INSULATED ADJUSTABLE LOUVER

# MODEL IL-100

## PARALLEL BLADES ONLY



### SPECIFICATIONS

- FRAME: 6" WIDE, 16 GA. GALVANIZED STEEL CHANNEL PROVIDES GREATER STRENGTH AND RIGIDITY.
- BLADE: 18 GA. GALVANIZED STEEL "DOUBLE-THICKNESS" 1 1/8" THICK WITH STYROFOAM INSULATION SANDWICHED BETWEEN METAL SKINS, MECHANICALLY FASTENED TOGETHER. ON 6" C-C STANDARD SPACING.
- AXLES: 1/2" DIAMETER CADMIUM PLATED STEEL STUB.
- BEARINGS: OILITE BRONZE.
- LINKAGE: CONCEALED IN CHANNEL, OUT OF AIRSTREAM.
- SEALS: BLADE AND JAMB OF POLYURETHANE.
- SCREENS: 1/2" MESH, 19 GA. GALV., .041" (WHEN INDICATED)
- DRIVESHAFT: 1/2" DIAMETER CADMIUM PLATED STEEL, PERMANENTLY EXTENDED 6" BEYOND FRAME FOR EXTERNAL DRIVE. FOR INTERNAL DRIVE A BLADE CLIP WILL BE PROVIDED. PLEASE SPECIFY LOCATION OF DRIVE REQUIRED.
- SIZES: MADE TO EXACT SIZE REQUIRED.  
MAXIMUM PANEL SIZE: 48" x 72"  
MINIMUM PANEL SIZE: 10" x 8 1/2"
- FINISH: MILL.

### INSULATING FACTORS FOR ABOVE CONSTRUCTION

R-VALUE = 4  
U-FACTOR, .25 BTU PER HOUR PER SQUARE FOOT PER DEGREE° F

THE ABOVE VALUES ARE BASED ON CALCULATIONS CONSIDERING THE FACE AREA OF THE DAMPER ONLY. THIS DOES NOT INCLUDE FRAMES. INSULATION OF DAMPER FRAME SHALL BE BY OTHERS.

- OPTIONAL**
- A: FLANGED FRAMES.
  - B: FRAMES AND BLADES OF OTHER GAUGES AND MATERIALS
  - C: FINISHES: ENAMELS, EPOXIES, ETC.
  - D: SEALS: STAINLESS STEEL FOR JAMBS ONLY.
  - E: OTHER SCREENS.

DAMPERS WILL BE FABRICATED 1/2" SMALLER THAN OPENING SIZE UNLESS OTHERWISE SPECIFIED.

ITEM	QTY.	OPENING SIZE		DAMPER SIZE		MULL	
		WIDTH	HEIGHT	WIDTH	HEIGHT		



**ARROW UNITED INDUSTRIES**  
A DIVISION OF MESTEK, INC.

450 RIVERSIDE DRIVE  
WYALUSING, PA 18853

TEL: (570) 746-1888 FAX: (570) 746-9286  
WEB ADDRESS: WWW.ARROWUNITED.COM

AGENT: \_\_\_\_\_

ARCH./ENG.:

CONTR.:

PROJECT:

EDR: ECN: JOB:

DATE: DWN.: DWG.: