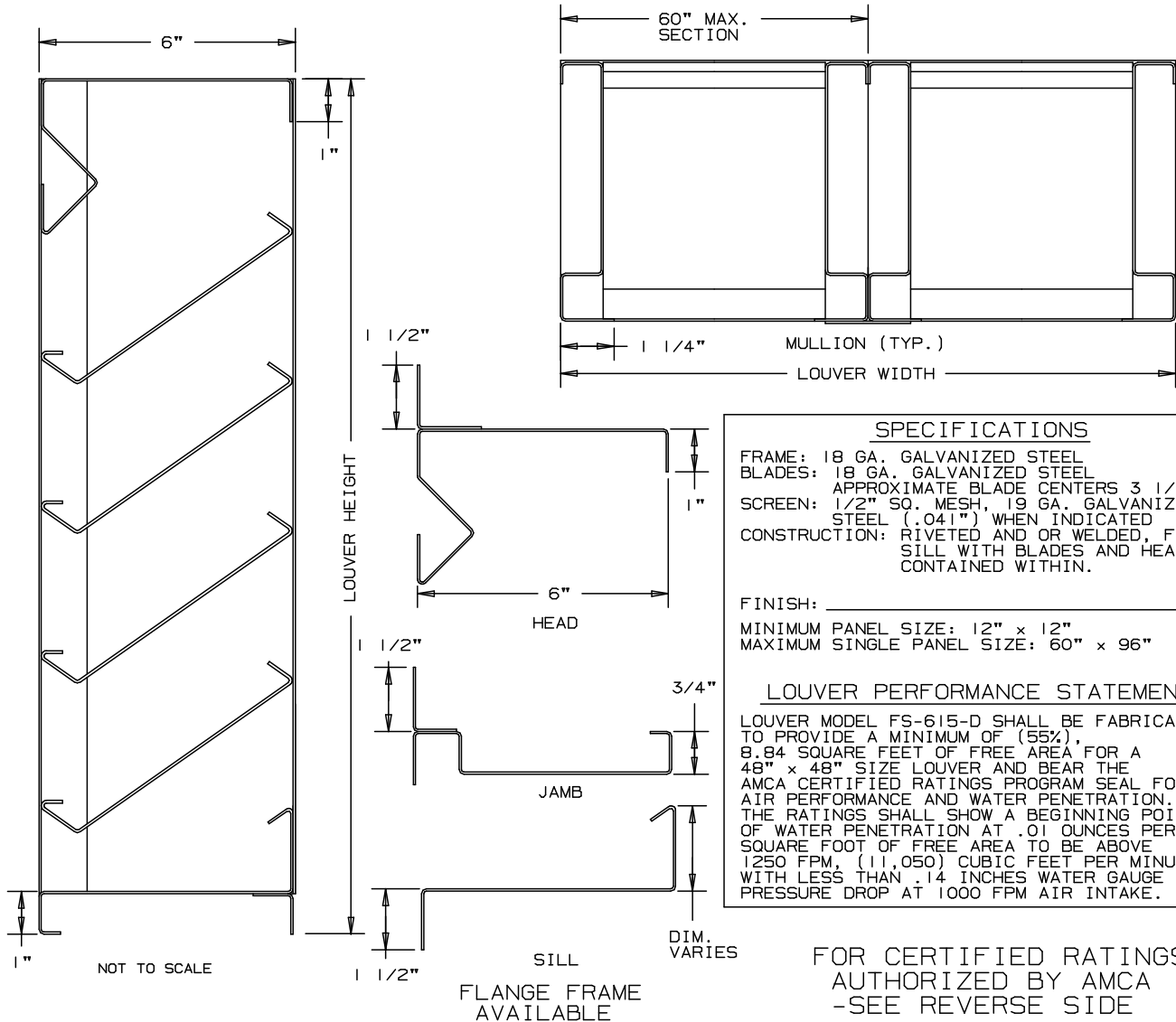


ARROW FORMED STEEL LOUVERS 6" DEEP

TYPE FS-615-D

DRAIN LOUVER - 35° BLADES - STATIONARY



SPECIFICATIONS

FRAME: 18 GA. GALVANIZED STEEL
 BLADES: 18 GA. GALVANIZED STEEL
 APPROXIMATE BLADE CENTERS 3 1/2"
 SCREEN: 1/2" SQ. MESH, 19 GA. GALVANIZED STEEL (.041") WHEN INDICATED
 CONSTRUCTION: RIVETED AND OR WELDED, FULL SILL WITH BLADES AND HEAD CONTAINED WITHIN.

FINISH: _____

MINIMUM PANEL SIZE: 12" x 12"
 MAXIMUM SINGLE PANEL SIZE: 60" x 96"

LOUVER PERFORMANCE STATEMENT

LOUVER MODEL FS-615-D SHALL BE FABRICATED TO PROVIDE A MINIMUM OF (55%), 8.84 SQUARE FEET OF FREE AREA FOR A 48" x 48" SIZE LOUVER AND BEAR THE AMCA CERTIFIED RATINGS PROGRAM SEAL FOR AIR PERFORMANCE AND WATER PENETRATION. THE RATINGS SHALL SHOW A BEGINNING POINT OF WATER PENETRATION AT .01 OUNCES PER SQUARE FOOT OF FREE AREA TO BE ABOVE 1250 FPM, (11,050) CUBIC FEET PER MINUTE. WITH LESS THAN .14 INCHES WATER GAUGE PRESSURE DROP AT 1000 FPM AIR INTAKE.

FOR CERTIFIED RATINGS
 AUTHORIZED BY AMCA
 -SEE REVERSE SIDE

NOMINAL DEDUCTIONS WILL BE MADE TO THE OPENING SIZE GIVEN.

ITEM	QTY.	WIDTH	HEIGHT	WIDTH	HEIGHT	MULL	TYPE	LOC	SCREENS	UNION MADE
		OPENING SIZE		LOUVER SIZE						



ARROW UNITED INDUSTRIES
 A DIVISION OF MESTEK, INC.
 450 RIVERSIDE DRIVE
 WYALUSING, PA 18853
 TEL: (570) 746-1888 FAX: (570) 746-9286
 WEB ADDRESS: WWW.ARROWUNITED.COM

AGENT: _____

ARCH./ENG. : _____

CONTR. : _____

PROJECT: _____

EDR: _____ ECN: _____ JOB: _____

DATE: _____ DWN. : _____ DWG. : _____

LOUVER MODEL FS-615-D

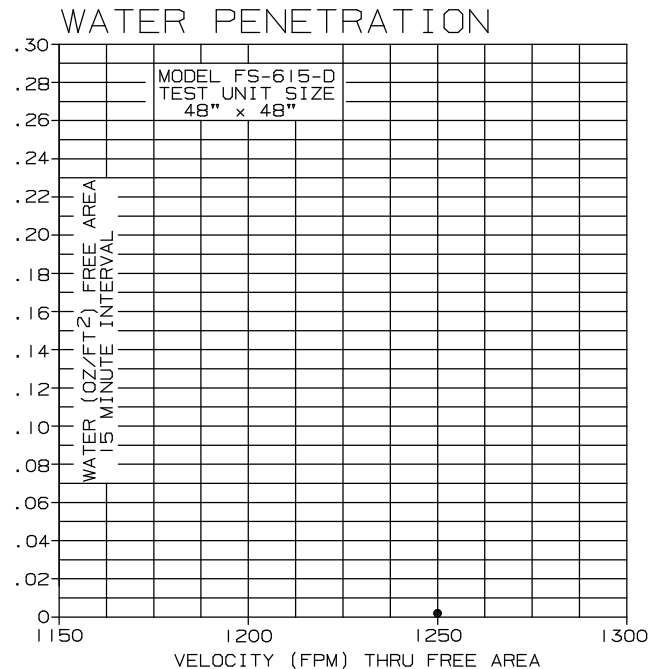
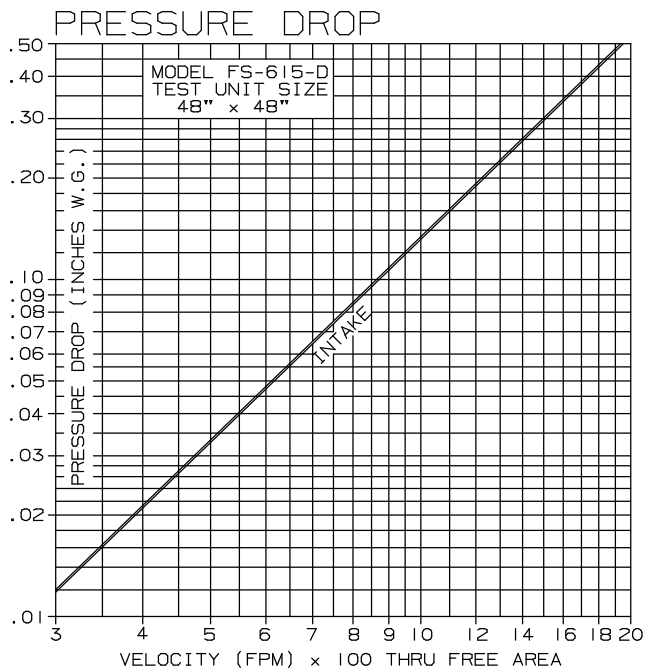
DRAIN LOUVERS

FORMED STEEL - STATIONARY

PERFORMANCE DATA

TESTS OF A 48" x 48" SAMPLE BY AN AMCA REGISTERED LABORATORY
 ACCORDING TO AMCA STANDARD 500 SHOWS THE BEGINNING POINT OF
 WATER PENETRATION IS ABOVE 1250 FPM (FREE AREA VELOCITY)
 WITH LESS THAN .13" W.G. PRESSURE DROP AT 950 FPM (INTAKE).

RATINGS DO NOT INCLUDE EFFECTS OF BIRDSCREEN.



• AMCA STANDARD 500 LIMITS TESTING OF WATER PENETRATION TO EITHER A MAXIMUM VELOCITY OF 1250 FPM OR 2.5 OUNCES OF WATER PER SQ. FT. OF LOUVER FREE AREA.

• THE BEGINNING POINT OF WATER PENETRATION IS ABOVE 1250 FPM THROUGH THE FREE AREA OF THE LOUVER.



FREE AREA

		FREE AREA (SQ. FT.)								
		WIDTH								
		12"	18"	24"	30"	36"	42"	48"	54"	60"
HEIGHT	12"	.33	.52	.72	.91	1.11	1.31	1.50	1.70	1.89
	24"	.82	1.32	1.81	2.31	2.80	3.30	3.79	4.29	4.78
	36"	1.30	2.08	2.86	3.64	4.42	5.20	5.98	6.76	7.54
	48"	1.89	3.02	4.15	5.28	6.41	7.54	8.84	9.81	10.94
	60"	2.32	3.70	5.09	6.48	7.87	9.26	10.65	12.04	13.43
	72"	2.89	4.63	6.37	8.10	9.84	11.58	13.32	15.05	16.79
84"	3.39	5.42	7.45	9.48	11.52	13.55	15.58	17.61	19.64	
96"	3.90	6.24	8.59	10.93	13.27	15.61	17.95	20.30	22.64	

ARROW UNITED CERTIFIES THAT THE MODEL FS-615-D LOUVERS SHOWN HEREIN IS LICENSED TO BEAR THE AMCA SEAL. THE RATINGS SHOWN ARE BASED ON TESTS AND PROCEDURES PERFORMED IN ACCORDANCE WITH AMCA PUBLICATION 511 AND COMPLY WITH THE REQUIREMENTS OF THE AMCA CERTIFIED RATINGS PROGRAM. THE CERTIFIED RATINGS SEAL APPLIES TO AIR PERFORMANCE AND WATER PENETRATION RATINGS.