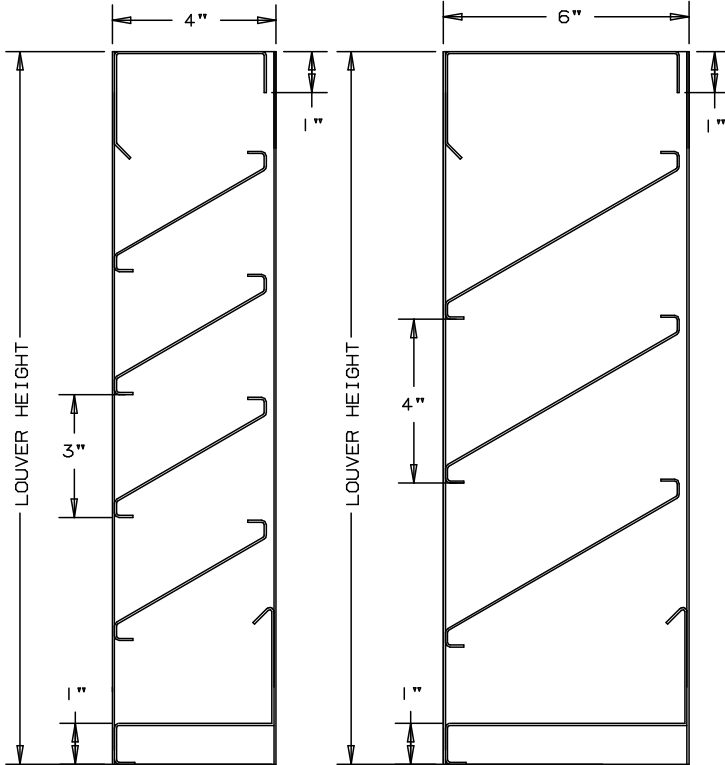


ARROW FORMED STEEL LOUVERS 4" DEEP & 6" DEEP

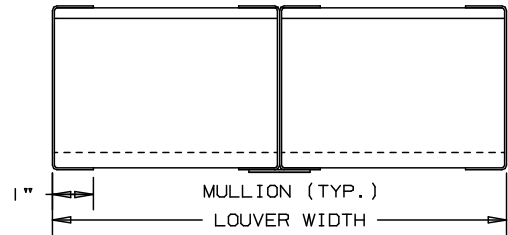
TYPE FS-430 & FS-630

30° STANDARD BLADE - STATIONARY



FS-430

FS-630



SPECIFICATIONS

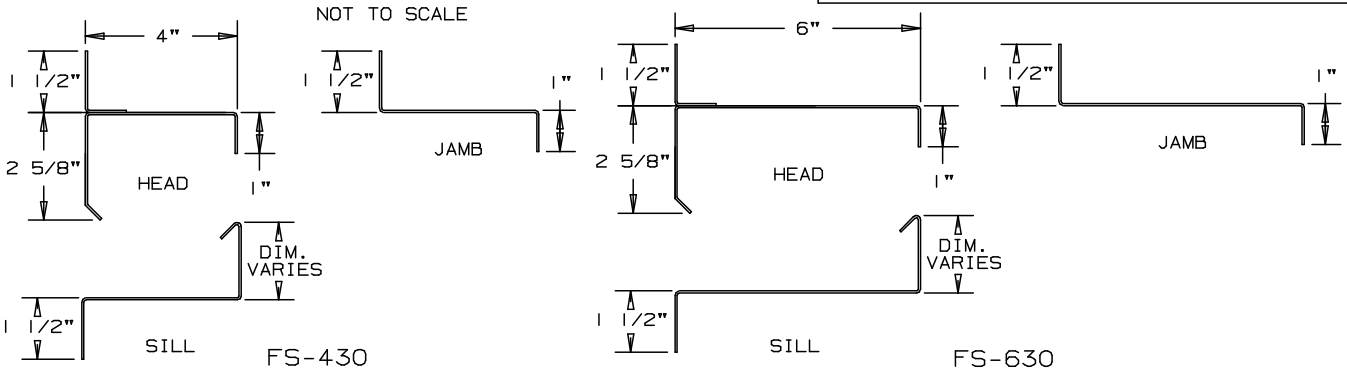
FRAME: 18 GA. GALVANIZED STEEL
 BLADES: 18 GA. GALVANIZED STEEL
 APPROX. BLADE CENTERS 3"-4"
 SCREEN: 1/2" SQ. MESH, 19 GA. GALVANIZED STEEL (.041) WHEN INDICATED.
 CONSTRUCTION: RIVETED AND OR WELDED, FULL JAMBS WITH BLADES, HEAD AND SILL CONTAINED WITHIN.

FINISH: _____
 MINIMUM PANEL SIZE: 12"x12"
 MAXIMUM PANEL SIZE: 60"x96"

AVERAGE SHIPPING WEIGHT (18 GA.)
 4" DEEP - 10 LBS./SQ. FT.
 6" DEEP - 11 LBS./SQ. FT.

OPTIONAL

FRAMES AND BLADES OF OTHER GAUGES
 OTHER MATERIALS: STAINLESS STEEL, COPPER, ALUM., ETC.
 FINISHES: ENAMELS, EPOXIES, ETC.
 SCREENS: INSECT SCREEN 18/16 MESH
 1/2" FLATTENED ALUM. .051"
 1/4" SQ. MESH 18 GA. GALV., .047"
 1/2" SQ. MESH 18 GA. STAINLESS STEEL, .047"
 PLUS OTHERS



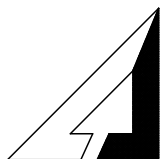
FS-430

FS-630

FLANGE FRAME AVAILABLE

NOMINAL DEDUCTIONS WILL BE MADE TO THE OPENING SIZE GIVEN.

ITEM	QTY.	WIDTH	HEIGHT	WIDTH	HEIGHT	MULL	TYPE	LOC
		OPENING SIZE		LOUVER SIZE				



ARROW UNITED INDUSTRIES
 A DIVISION OF MESTEK, INC.

450 RIVERSIDE DRIVE
 WYALUSING, PA 18853

TEL: (570) 746-1888 FAX: (570) 746-9286
 WEB ADDRESS: WWW.ARROWUNITED.COM

AGENT: _____

ARCH./ENG.:

CONTR.:

PROJECT:

EDR: ECN: JOB:

DATE: DWN.: DWG.: