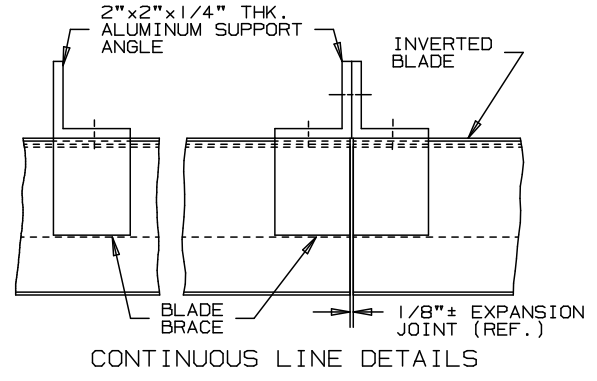
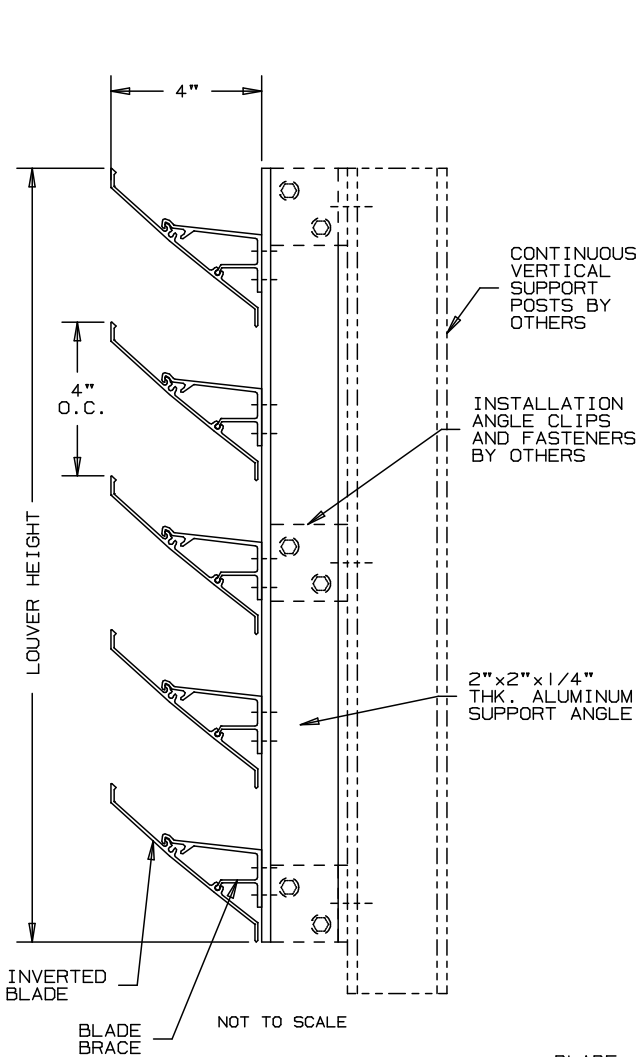


ARROW EXTRUDED ALUMINUM LOUVERS INVERTED EQUIPMENT SCREEN

TYPE ESH-4



SPECIFICATIONS

MATERIAL: EXTRUDED ALUMINUM 6063-T52/T6 ALLOY. AVAILABLE IN .081" THICK AND .125" THICK (NOMINAL). BLADE POSITION IS 45° ANGLE, SPACED APPROXIMATELY 4" ON CENTER WITH ARCHITECTURAL STYLE HIDDEN MULLIONS.

SUPPORTS: SHALL INCORPORATE BLADE SUPPORT TO WITHSTAND WINDLOAD OF 20 PSF, APPROXIMATELY 90 MPH WIND. AN EXTRUDED ALUMINUM 2"x2"x1/4" THICK ANGLE ON 60° CENTERS IS STANDARD. SUPPORTS VARY AS REQUIRED PER WIND LOAD. CONSULT THE FACTORY.

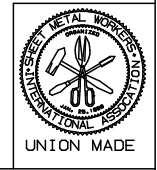
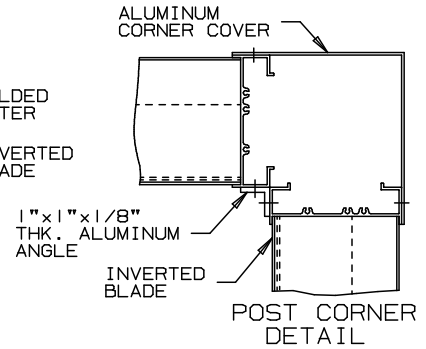
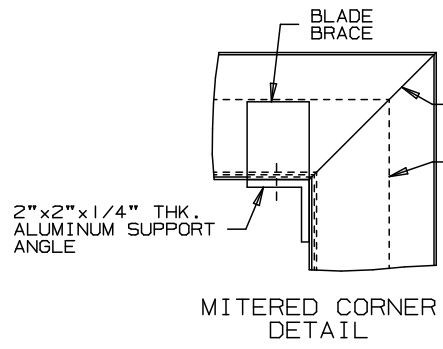
LOUVER SIZE: MAXIMUM PANEL SIZE LIMITED TO 60 S.F. PER SECTION, NOT TO EXCEED 120" WIDE AND 72" HIGH. LOUVER SECTIONS LARGER THAN FACTORY MAXIMUM SIZE WILL REQUIRE FIELD ASSEMBLY OF SMALLER SECTIONS.

SCREEN: NONE REQUIRED.

FINISH: MILL.

VARIATIONS - LOUVER VARIATIONS AVAILABLE AS MITERED CORNER, POST CORNER, HINGED ACCESS, AND CAP COVERS.

ARCHITECTURAL FINISHES: AS KYNAR, BAKED ENAMEL, CLEAR AND COLOR ANODIZE ARE AVAILABLE. CONSULT THE FACTORY.



ARROW UNITED INDUSTRIES
A DIVISION OF MESTEK, INC.
450 RIVERSIDE DRIVE
WYALUSING, PA 18853
TEL: (570) 746-1888 FAX: (570) 746-9286
WEB ADDRESS: WWW.ARROWUNITED.COM

AGENT: _____

ARCH./ENG. :		
CONTR. :		
PROJECT :		
EDR :	ECN :	JOB :
DATE :	DWN. :	DWG. :