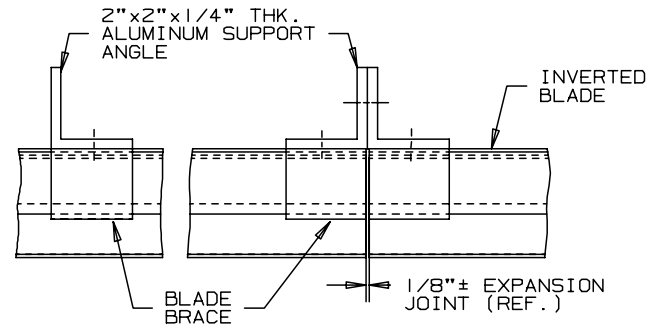
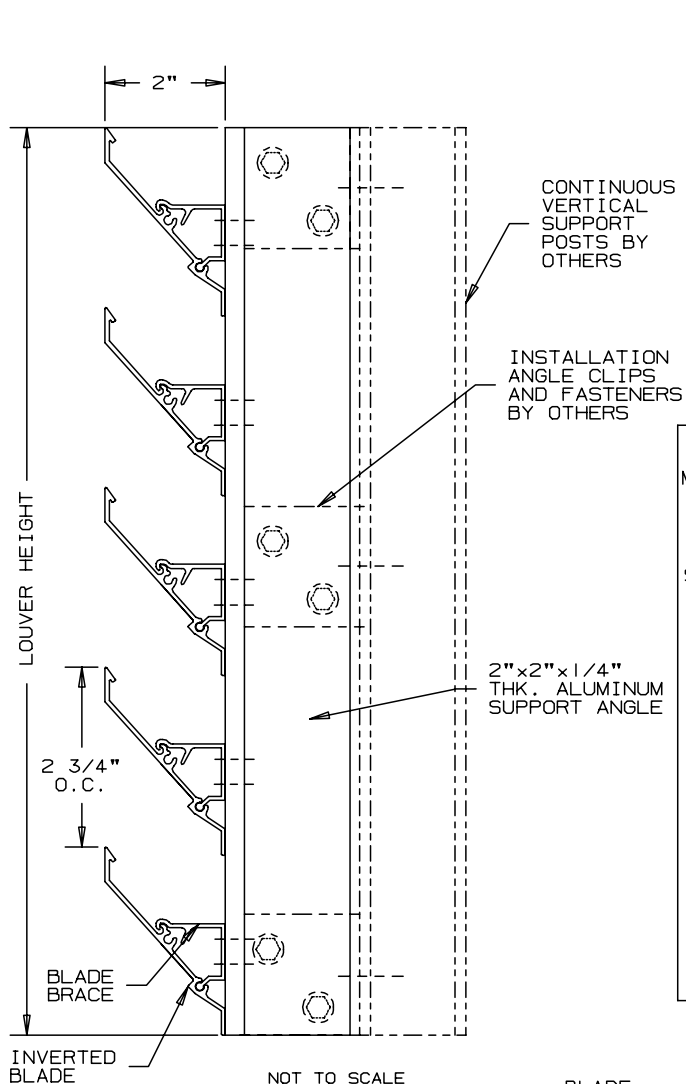


ARROW EXTRUDED ALUMINUM LOUVERS INVERTED EQUIPMENT SCREEN

TYPE ESH-2



CONTINUOUS LINE DETAILS

SPECIFICATIONS

MATERIAL: EXTRUDED ALUMINUM 6063-T52/T6 ALLOY. .063" THICK
 BLADE POSITION IS 45° ANGLE, SPACED APPROXIMATELY 2 3/4" ON CENTER WITH ARCHITECTURAL STYLE HIDDEN MULLIONS.

SUPPORTS: SHALL INCORPORATE BLADE SUPPORT TO WITHSTAND WINDLOAD OF 20 PSF, APPROXIMATELY 90 MPH WIND. AN EXTRUDED ALUMINUM 2"x2"x1/4" THICK ANGLE ON 24" CENTERS IS STANDARD. SUPPORTS VARY AS REQUIRED PER WIND LOAD. CONSULT THE FACTORY.

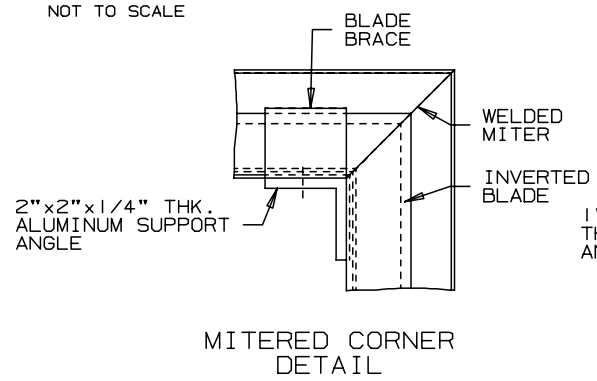
LOUVER SIZE: MAXIMUM PANEL SIZE LIMITED TO 60 S.F. PER SECTION, NOT TO EXCEED 120" WIDE AND 72" HIGH. LOUVER SECTIONS LARGER THAN FACTORY MAXIMUM SIZE WILL REQUIRE FIELD ASSEMBLY OF SMALLER SECTIONS.

SCREEN: NONE REQUIRED.

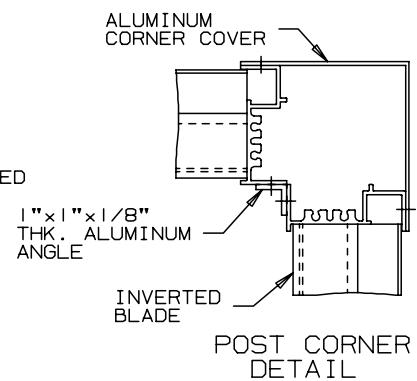
FINISH: MILL.

VARIATIONS - LOUVER VARIATIONS AVAILABLE AS MITERED CORNER, POST CORNER, HINGED ACCESS, AND CAP COVERS.

ARCHITECTURAL FINISHES: AS KYNAR, BAKED ENAMEL, CLEAR AND COLOR ANODIZE ARE AVAILABLE. CONSULT THE FACTORY.



MITERED CORNER
DETAIL



POST CORNER
DETAIL



ARROW UNITED INDUSTRIES
 A DIVISION OF MESTEK, INC.
 450 RIVERSIDE DRIVE
 WYALUSING, PA 18853
 TEL: (570) 746-1888 FAX: (570) 746-9286
 WEB ADDRESS: WWW.ARROWUNITED.COM

AGENT: _____

ARCH./ENG. :		
CONTR. :		
PROJECT :		
EDR :	ECN :	JOB :
DATE :	DWN. :	DWG. :

ARROW
 EXTRUDED ALUMINUM LOUVERS
 INVERTED EQUIPMENT SCREEN

TYPE
 ESH-2

FREE AREA

		FREE AREA (SQ. FT.)									
		WIDTH									
		12"	24"	36"	48"	60"	72"	84"	96"	108"	120"
HEIGHT	12"	.23	.46	.69	.92	1.15	1.38	1.60	1.83	2.06	2.29
	24"	.69	1.38	2.06	2.75	3.44	4.13	4.81	5.50	6.19	6.88
	36"	1.26	2.52	3.78	5.04	6.30	7.56	8.82	10.08	11.34	12.60
	48"	1.72	3.44	5.16	6.88	8.59	10.31	12.03	13.75	15.47	17.19
	60"	2.18	4.35	6.53	8.71	10.89	13.06	15.24	17.42	19.59	21.77
	72"	2.75	5.50	8.25	11.00	13.75	16.50	19.25	22.00	24.75	27.50
	84"	3.21	6.42	9.63	12.83	16.04	19.25	22.46	25.67	38.88	32.08
	96"	3.67	7.33	11.00	14.67	18.33	22.00	25.67	29.33	33.00	36.67
	108"	4.24	8.48	12.72	16.96	21.20	25.44	29.68	33.92	38.16	42.40
	120"	4.70	9.40	14.09	18.79	23.49	28.19	32.89	37.58	42.28	46.98