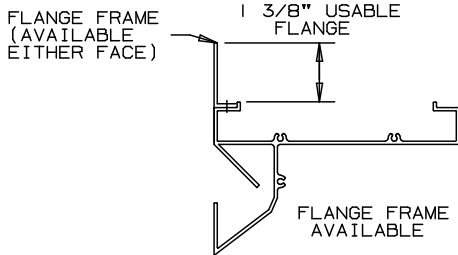
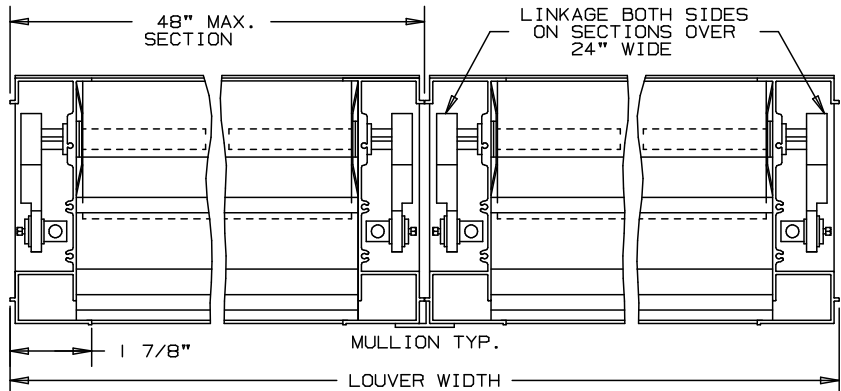
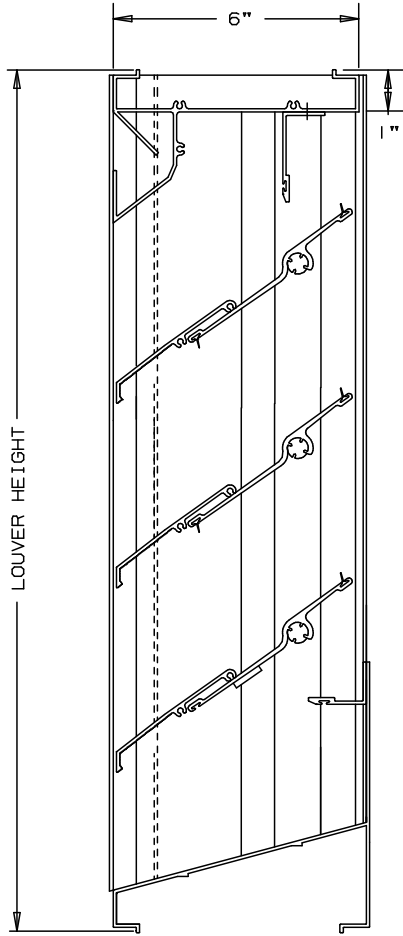


ARROW

EXTRUDED ALUMINUM LOUVERS
COMBINATION ADJUSTABLE AND STATIONARY
6" DEEP

TYPE EA-681

35° STRAIGHT STATIONARY BLADE - CHANNEL TYPE



SPECIFICATIONS

FRAME AND STATIONARY BLADE: EXTRUDED ALUMINUM 6063-T6/T52 ALLOY, FRAME IS .080" THK., BLADE IS .080" THK. ON 4 1/2" CENTERS.

ADJUSTABLE BLADE: EXTRUDED ALUMINUM 6063-T6/T52 ALLOY, .125" THK.

FACE OF LOUVER: FULL WIDTH SILL WITH HEAD AND BLADES CONTAINED WITHIN THE JAMBS.

LINKAGE: EXTRUDED ALUMINUM, CONCEALED IN CHANNEL OUT OF AIRSTREAM. THE TRUNNIONS, WHICH ROTATE IN CELCON BEARINGS ARE 1/2" DIAMETER, CADMIUM PLATED AND CHROMATE TREATED MACHINED STEEL. THE TRUNNION IS LOCKED TO THE 5/16" DIA. ALUMINUM LINKAGE ROD BY A 1/4-20 SET SCREW WITH AN EPOXY LOCKING PATCH.

SHAFTS: 1/2" DIA. ALUMINUM "PIN-LOCK" EXTRUSION.

SEALS: EXTRUDED SILICONE RUBBER SEAL ON BLADE EDGE. FOAM ON BOTTOM BLADE & STAINLESS STEEL AT JAMB.

SCREENS: WHEN INDICATED, IN A REMOVABLE FRAME.
BIRD SCREEN - 1/2" FLATTENED ALUMINUM, .051" THK.
OR - 1/2" SQ. MESH, INTERMEDIATE DOUBLE-CRIMPED ALUMINUM WIRE, .063 DIA.
OR - 18/16 MESH, .011" DIA. ALUMINUM WIRE, INSECT SCREEN.

FINISH: MILL.

LOUVER SIZES: 12" x 16" MINIMUM PANEL SIZE.
48" x 96" MAXIMUM PANEL SIZE.

LOUVER PERFORMANCE STATEMENT

LOUVER MODEL EA-681 SHALL BE FABRICATED TO PROVIDE A MINIMUM OF (52%), 8.38 SQUARE FEET OF FREE AREA FOR A 48" x 48" SIZE LOUVER AND BEAR THE AMCA CERTIFIED RATINGS PROGRAM SEAL FOR AIR PERFORMANCE AND WATER PENETRATION. THE RATINGS SHALL SHOW A BEGINNING POINT OF WATER PENETRATION AT .01 OUNCES PER SQUARE FOOT OF FREE AREA AT A FREE AREA VELOCITY OF 981 FEET PER MINUTE, (8162) CUBIC FEET PER MINUTE, WITH A .12 INCHES WATER GAUGE PRESSURE DROP FOR AIR INTAKE.

OPTIONAL

- * OTHER SCREENS
- * ARCHITECTURAL FINISHES
- * ACTUATORS (ELECTRIC, PNEUMATIC, MANUAL, ETC.)

FOR CERTIFIED RATINGS
AUTHORIZED BY AMCA
- SEE REVERSE SIDE

NOMINAL DEDUCTIONS WILL BE MADE TO THE OPENING SIZE GIVEN.

ITEM	QTY.	WIDTH	HEIGHT	WIDTH	HEIGHT	MULL	TYPE	LOC
		OPENING SIZE		LOUVER SIZE				



ARROW UNITED INDUSTRIES
A DIVISION OF MESTEK, INC.
450 RIVERSIDE DRIVE
WYALUSING, PA 18853
TEL: (570) 746-1888 FAX: (570) 746-9286
WEB ADDRESS: WWW.ARROWUNITED.COM

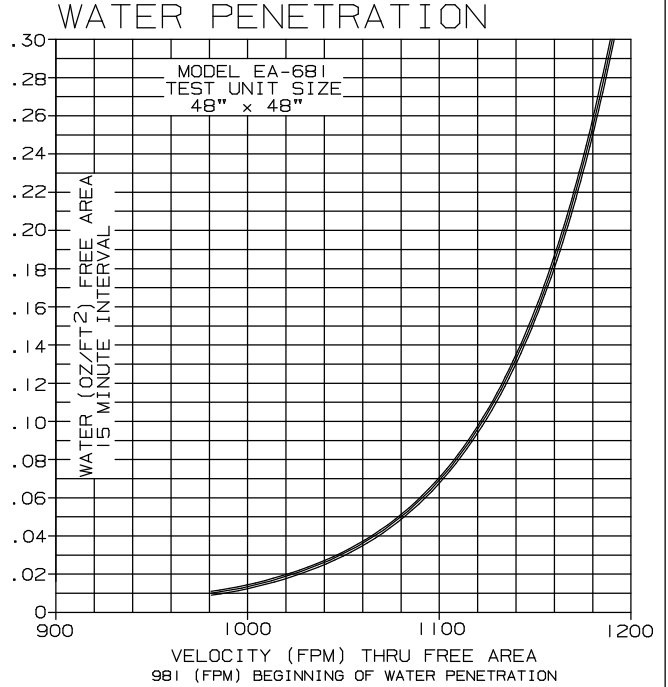
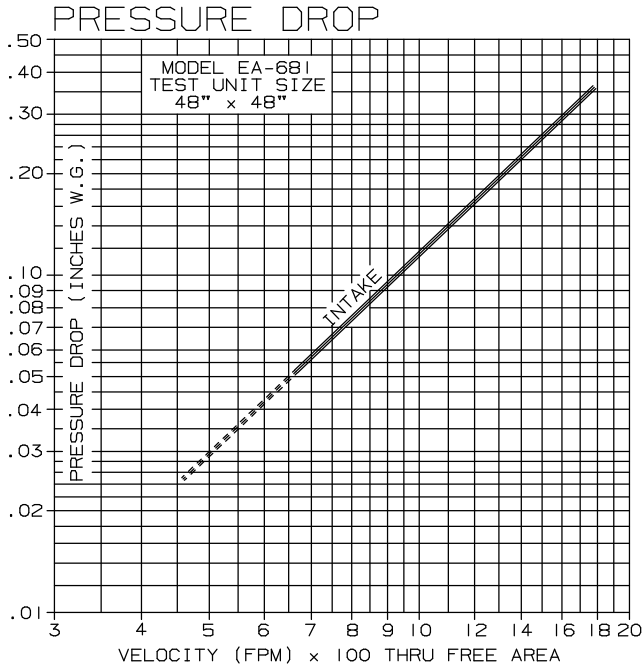
AGENT: _____

ARCH./ENG.:	
CONTR.:	
PROJECT:	
EDR:	ECN: JOB:
DATE:	DWN.: DWG.:

LOUVER MODEL EA-681 HIGH PERFORMANCE EXTRUDED ALUMINUM - COMBINATION ADJUSTABLE

PERFORMANCE DATA

RATINGS DO NOT INCLUDE THE EFFECTS OF BIRDSCREEN.

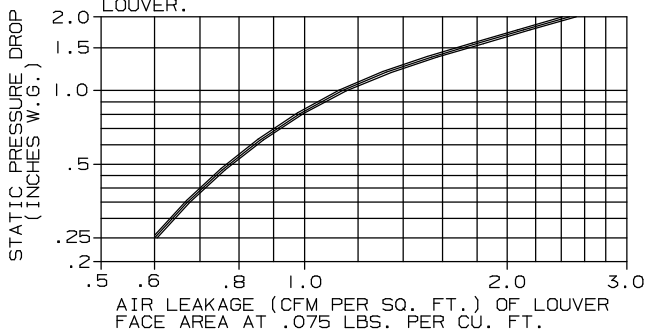


FREE AREA

		FREE AREA (SQ. FT.)						
		WIDTH						
HEIGHT	12"	18"	24"	30"	36"	42"	48"	
	12"	.14	.24	.34	.45	.56	.65	.76
	24"	.66	1.15	1.65	2.14	2.64	3.13	3.63
	36"	1.04	1.82	2.60	3.38	4.16	4.94	5.71
	48"	1.55	2.72	3.88	5.04	6.21	7.37	8.38
	60"	2.07	3.63	5.18	6.74	8.29	9.85	11.40
	72"	2.45	4.29	6.13	7.97	9.81	11.65	13.49
	84"	2.97	5.19	7.42	9.64	11.87	14.09	16.31
96"	3.49	6.10	8.72	11.34	13.95	16.57	19.18	

AIR LEAKAGE (LOUVER INSTALLATION POSITION, INTAKE) IS PER AMCA STANDARD 500 PROCEDURE FIG. 5.5.

AIR LEAKAGE WITH ADJUSTABLE BLADE IN CLOSED POSITION WITH A SEATING TORQUE OF 6.25 IN.LB./SQ. FT. OF LOUVER FACE AREA. LEAKAGE IS BASED ON A TEST OF A 48" x 48" LOUVER.



ARROW UNITED INDUSTRIES CERTIFIES THAT THE MODEL EA-681 LOUVER SHOWN HEREIN IS LICENSED TO BEAR THE AMCA SEAL. THE RATINGS SHOWN ARE BASED ON TESTS AND PROCEDURES PERFORMED IN ACCORDANCE WITH AMCA PUBLICATION 511 AND COMPLY WITH THE REQUIREMENTS OF THE AMCA CERTIFIED RATINGS PROGRAM.

THE AMCA CERTIFIED RATINGS SEAL APPLIES TO AIR PERFORMANCE RATINGS AND WATER PENETRATION RATINGS.