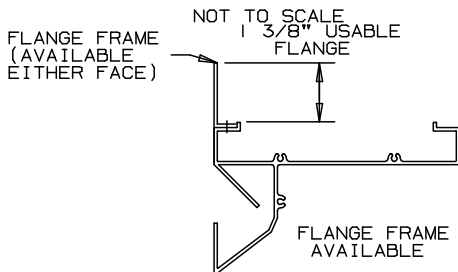
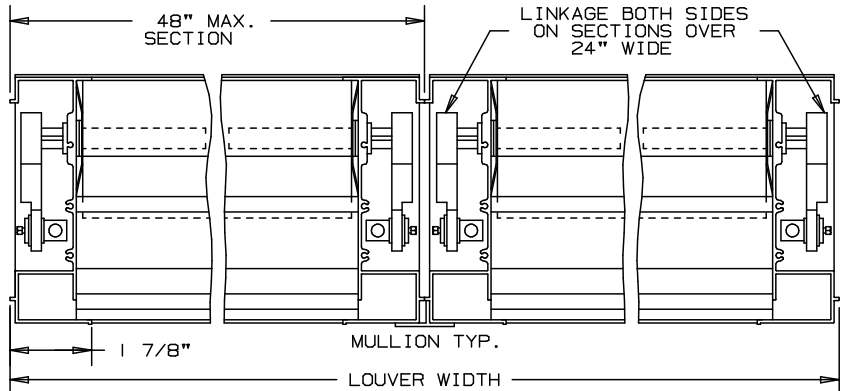
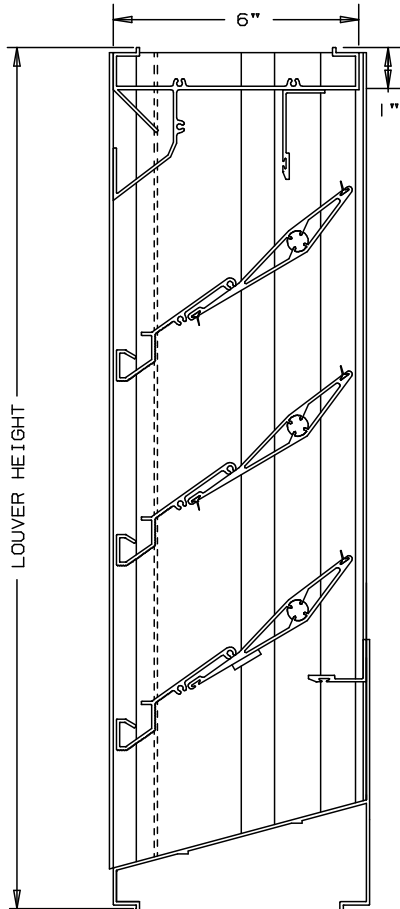


# ARROW

EXTRUDED ALUMINUM LOUVERS  
COMBINATION ADJUSTABLE AIRFOIL AND  
STATIONARY DRAIN, 6" DEEP

# TYPE EA-680-DAF

## DRAIN LOUVER - 35° STATIONARY BLADES



### SPECIFICATIONS

FRAME AND STATIONARY BLADE: EXTRUDED ALUMINUM 6063-T6/T52 ALLOY, FRAME IS .080" THK., BLADE IS .080" THK. ON 4 1/2" CENTERS.  
ADJUSTABLE BLADE: EXTRUDED ALUMINUM AIRFOIL 6063-T6/T52 ALLOY, .125" THK.  
FACE OF LOUVER: FULL HEAD AND SILL WITH BLADE AND JAMBS CONTAINED WITHIN.  
LINKAGE: EXTRUDED ALUMINUM, CONCEALED IN CHANNEL OUT OF AIRSTREAM. THE TRUNNIONS, WHICH ROTATE IN CELCON BEARINGS, ARE 1/2" DIAMETER, CADMIUM PLATED AND CHROMATE TREATED MACHINED STEEL. THE TRUNNION IS LOCKED TO THE 5/16" DIA. ALUMINUM LINKAGE ROD BY A 1/4-20 SET SCREW WITH AN EPOXY LOCKING PATCH.  
SHAFTS: 1/2" DIA. ALUMINUM "PIN-LOCK" EXTRUSION.  
SEALS: EXTRUDED SILICONE RUBBER SEAL AT BLADE EDGE. FOAM ON BOTTOM BLADE & STAINLESS STEEL AT JAMB.  
SCREENS: WHEN INDICATED, IN A REMOVABLE FRAME.  
BIRD SCREEN - 1/2" FLATTENED ALUMINUM, .051" THK.  
OR - 1/2" SQ. MESH, INTERMEDIATE DOUBLE-CRIMPED ALUMINUM WIRE, .063 DIA.  
OR - 18/16 MESH, .011" DIA. ALUMINUM WIRE, INSECT SCREEN.  
FINISH: MILL.  
LOUVER SIZES: 12" x 12" MINIMUM PANEL SIZE.  
48" x 96" MAXIMUM PANEL SIZE.

### LOUVER PERFORMANCE STATEMENT

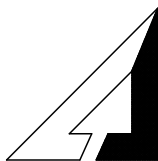
LOUVER MODEL EA-680-DAF SHALL BE FABRICATED TO PROVIDE A MINIMUM OF (52%), 8.25 SQUARE FEET OF FREE AREA FOR A 48" x 48" SIZE LOUVER. THE BEGINNING POINT OF WATER PENETRATION IS .01 OUNCES PER SQUARE FOOT OF FREE AREA AT A FREE AREA VELOCITY OF 1026 FEET PER MINUTE, (8465) CUBIC FEET PER MINUTE. WITH A .14 INCHES WATER GAUGE PRESSURE DROP FOR AIR INTAKE.

### OPTIONAL

- OTHER SCREENS
- ARCHITECTURAL FINISHES
- ACTUATORS (ELECTRIC, PNEUMATIC, MANUAL, ETC.)

NOMINAL DEDUCTIONS WILL BE MADE TO THE OPENING SIZE GIVEN.

ITEM	QTY.	OPENING SIZE		LOUVER SIZE		MULL	TYPE	LOC	SCREENS
		WIDTH	HEIGHT	WIDTH	HEIGHT				



**ARROW UNITED INDUSTRIES**  
A DIVISION OF MESTEK, INC.  
450 RIVERSIDE DRIVE  
WYALUSING, PA 18853

TEL: (570) 746-1888 FAX: (570) 746-9286  
WEB ADDRESS: WWW.ARROWUNITED.COM

AGENT: \_\_\_\_\_

ARCH./ENG.:	
CONTR.:	
PROJECT:	
EDR:	ECN: JOB:
DATE:	DWN.: DWG.: