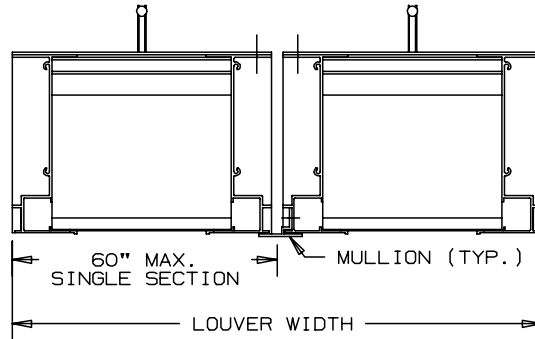
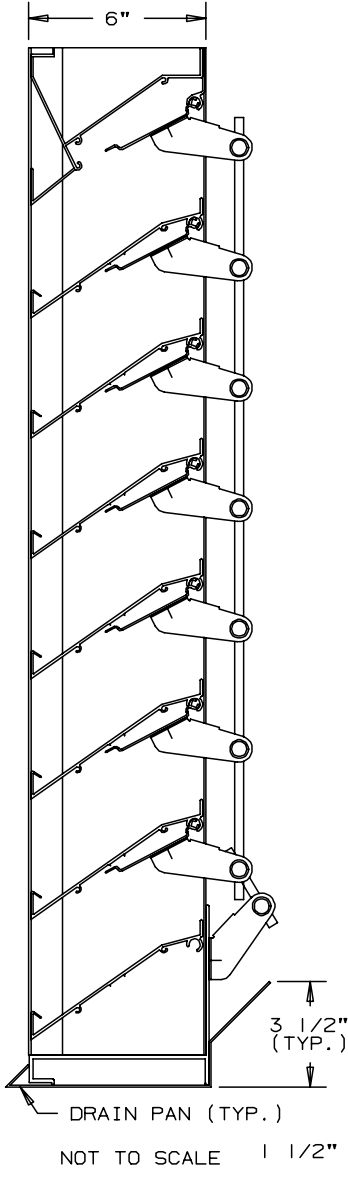


ARROW EXTRUDED ALUMINUM LOUVERS ADJUSTABLE TYPE 6" DEEP

TYPE EA-64C

NOA NO. 05-1206.04

DRAIN BLADE-COMBINATION STATIONARY AND
ADJUSTABLE-CHANNEL FRAME WITHSTANDS
DESIGN PRESSURE UP TO ±180 PSF



SPECIFICATIONS

FRAME: EXTRUDED ALUMINUM CHANNEL FRAME .125" THK. OF 6063-T6 ALLOY (WELDED CONSTRUCTION).
 BLADE: EXTRUDED ALUMINUM .080" THK. OF 6063-T5 ALLOY (WELDED CONSTRUCTION) FOR STATIONARY BLADE.
 ADJUSTABLE BLADE .050" THK. OF 6063/T5 ALLOY WITH FULL LENGTH AXLES.
 SEALS: VINYL ON BLADE AND JAMBS.
 LINKAGE: PLATED STEEL BRACKETS, BRASS BARRELS, 5/16" DIA. PLATED STEEL LINKAGE ROD.
 ACTUATOR: INDIVIDUAL PANEL WING SCREW.
 FACE OF LOUVER: FULL WIDTH SILL WITH HEAD AND BLADES CONTAINED WITHIN JAMBS. APPROXIMATE BLADE CENTERS 4".
 SCREEN: WHEN INDICATED, IN A REMOVABLE FRAME IS LOCATED ON THE EXTERIOR LOUVER FACE.
 BIRD SCREEN - 1/2" FLATTENED ALUMINUM, .051" THK.
 OR - 1/2" SQ. MESH INTERMEDIATE DOUBLE-CRIMPED ALUMINUM WIRE, .063 DIA.
 OR - 18/16 MESH, .011" DIA. ALUMINUM WIRE, INSECT SCREEN.

FINISH: _____
 MINIMUM PANEL SIZE 12" x 12".
 MAXIMUM PANEL SIZE 60" x 96".
 WINDLOAD REQUIREMENTS MAY LIMIT PANEL SIZES.

LOUVER PERFORMANCE STATEMENT

PASSED MIAMI-DADE COUNTY FLORIDA TEST PROTOCOLS TAS (PA) 100, TAS (PA) 201, TAS (PA) 202, AND TAS (PA) 203. THE LOUVER MODEL EA-64C SHALL BE FABRICATED TO PROVIDE A MINIMUM OF (51%), 8.19 SQUARE FEET OF FREE AREA FOR 48"x48" SIZE LOUVER, AND BEAR THE AMCA CERTIFIED RATING PROGRAM SEAL FOR AIR PERFORMANCE AND WATER PENETRATION. THE RATING SHALL SHOW A BEGINNING POINT OF WATER PENETRATION AT .01 OUNCES PER SQUARE FOOT OF FREE AREA TO BE ABOVE 1250 FEET PER MINUTE (10,238) CUBIC FEET PER MINUTE WITH .10 INCHES WATER GAUGE PRESSURE DROP AT 1000 FPM FOR AIR INTAKE.

FOR PERFORMANCE DATA
- SEE REVERSE SIDE

NOMINAL DEDUCTIONS WILL BE MADE TO THE OPENING SIZES GIVEN.

ITEM	QTY.	WIDTH	HEIGHT	WIDTH	HEIGHT	MULL	TYPE	LOC
		OPENING SIZE		LOUVER SIZE				



ARROW UNITED INDUSTRIES
A DIVISION OF MESTEK, INC.
450 RIVERSIDE DRIVE
WYALUSING, PA 18853
TEL: (570) 746-1888 FAX: (570) 746-9286

ARCH./ENG. : _____
 CONTR. : _____
 PROJECT : _____
 EDR: _____ ECN: _____ JOB: _____
 DATE: _____ DWN. : _____ DWG. : _____

AGENT: _____

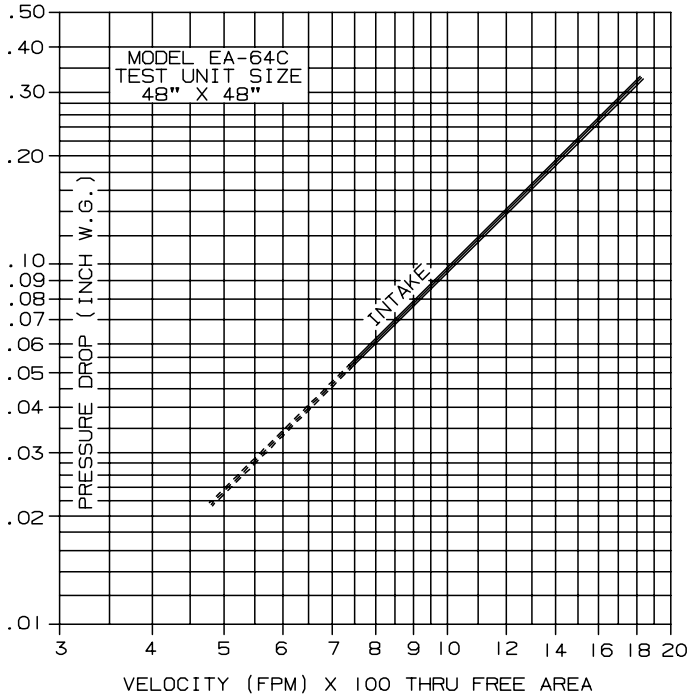
LOUVER MODEL EA-64C DRAIN BLADE

EXTRUDED ALUMINUM-COMBINATION STATIONARY
AND ADJUSTABLE

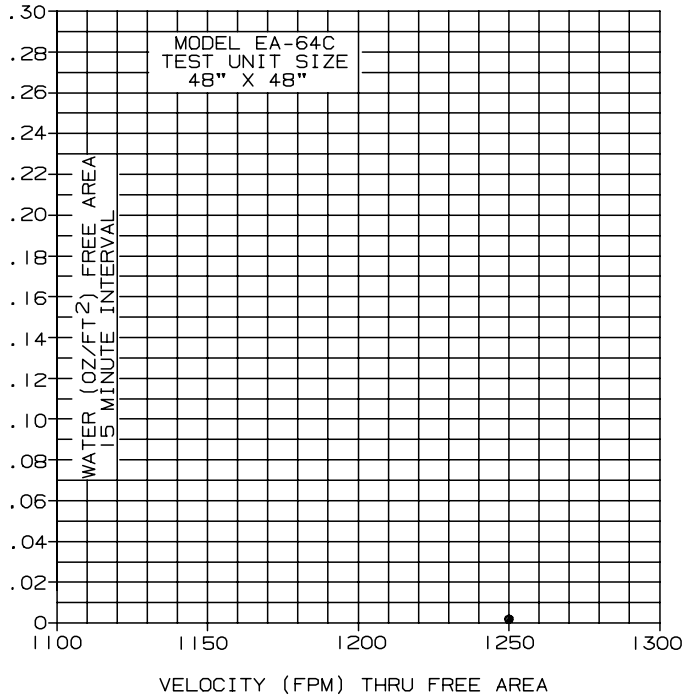
PERFORMANCE DATA

RATINGS DO NOT INCLUDE EFFECTS OF BIRDSCREEN.

PRESSURE DROP



WATER PENETRATION



VELOCITY (FPM) THRU FREE AREA
*THE BEGINNING POINT OF WATER PENETRATION IS ABOVE 1250 FPM THROUGH THE FACE FREE AREA OF THE LOUVER.

*AMCA STANDARD 500 LIMITS TESTING OF WATER PENETRATION TO EITHER A MAXIMUM VELOCITY OF 1250 FPM OR 2.5 OUNCES OF WATER PER SQUARE FOOT OF LOUVER FREE AREA.

FREE AREA

		FREE AREA (SQ. FT.)							
		WIDTH							
HEIGHT		12"	18"	24"	30"	36"	42"	48"	60"
	12"	.15	.26	.37	.49	.60	.71	.82	1.04
	24"	.61	1.06	1.50	1.94	2.39	2.83	3.28	4.17
	36"	1.07	1.85	2.62	3.40	4.18	4.96	5.73	7.29
	48"	1.53	2.64	3.75	4.86	5.97	7.08	8.19	10.41
	60"	1.99	3.43	4.87	6.32	7.76	9.21	10.65	13.54
	72"	2.44	4.22	6.00	7.78	9.55	11.33	13.11	16.66
	84"	2.90	5.01	7.12	9.23	11.34	13.45	15.57	19.79
96"	3.36	5.80	8.25	10.69	13.14	15.58	18.02	22.91	

AIR LEAKAGE WITH ADJUSTABLE BLADE IN CLOSED POSITION WITH A SEATING TORQUE OF 8 IN.LB./SQ. FT. OF LOUVER FACE AREA. VALUES ARE IN TOTAL (CFM) AT 0.5 IN W.G. DIFFERENTIAL PRESSURE IN SCFM.

		AIR LEAKAGE				
		WIDTH				
HEIGHT		12	24	48	60	
	12	5	11	16	22	27
	24	11	22	33	44	54
	36	16	33	49	65	82
	48	22	44	65	87	109
	60	27	54	82	109	136
	72	33	65	98	131	163
	84	38	76	114	152	190
96	44	87	131	174	218	



ARROW UNITED CERTIFIES THAT THE MODEL EA-64C SHOWN HEREIN IS LICENSED TO BEAR THE AMCA SEAL. THE RATINGS SHOWN ARE BASED ON TESTS AND PROCEDURES PERFORMED IN ACCORDANCE WITH THE AMCA PUBLICATION 511 AND COMPLY WITH THE REQUIREMENTS OF THE AMCA CERTIFIED RATINGS PROGRAM. THE AMCA CERTIFIED RATINGS SEAL APPLIES TO AIR PERFORMANCE AND WATER PENETRATION RATINGS ONLY.