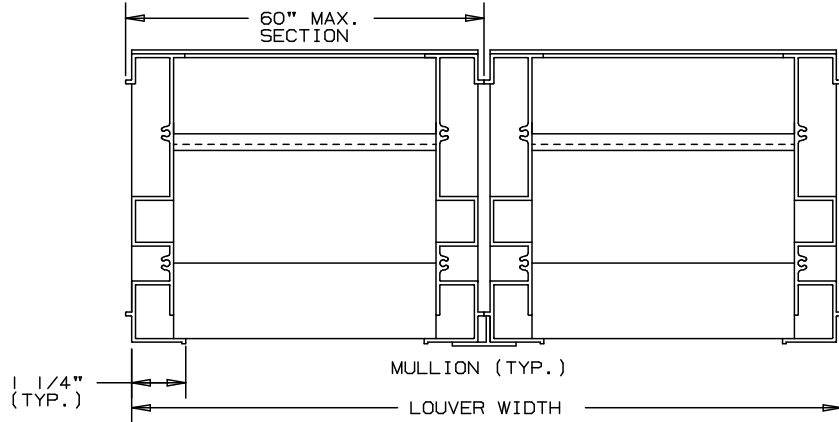
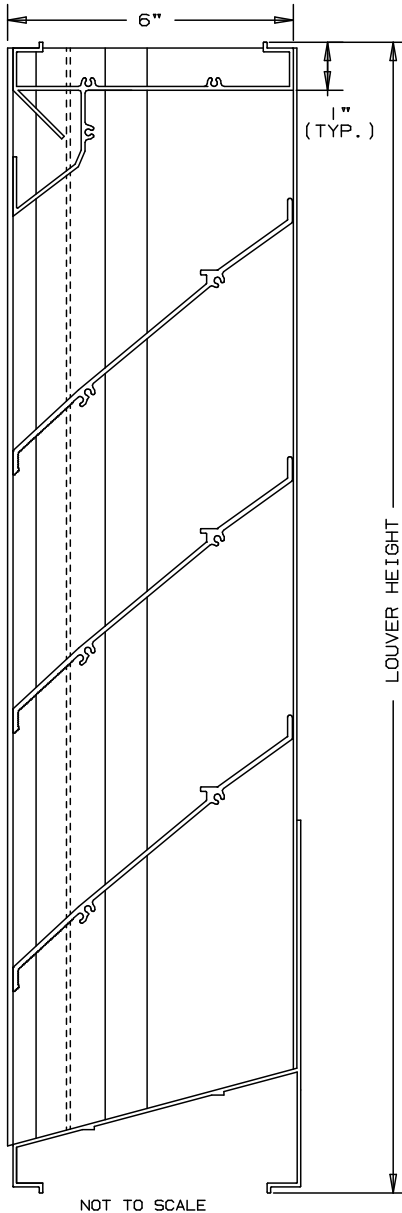


ARROW EXTRUDED ALUMINUM LOUVERS 6" DEEP

TYPE EA-605

45° BLADE-STATIONARY-CHANNEL TYPE



LOUVER HEIGHT

SPECIFICATIONS

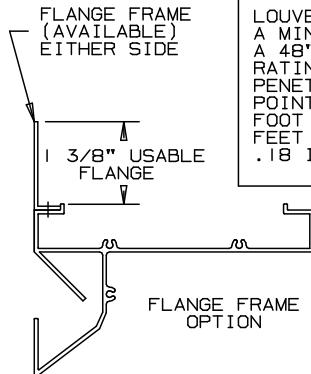
MATERIAL: EXTRUDED ALUMINUM 6063-T6/T52 ALLOY
 FRAMES: .081" THK. (NOMINAL)
 .125" THK. (NOMINAL), AVAILABLE.
 BLADES: .125" THK. (NOMINAL).
 FACE OF LOUVER: FULL WIDTH SILL WITH HEAD AND BLADES
 CONTAINED WITHIN THE JAMBS.
 APPROXIMATE BLADE CENTERS 5 3/8".
 SCREEN: (WHEN INDICATED, IN A REMOVABLE FRAME)
 BIRD SCREEN - 1/2" FLATTENED ALUMINUM, .051" THK.
 OR - 1/2" SQ. MESH INTERMEDIATE DOUBLE-
 CRIMPED ALUMINUM WIRE, .063" DIA.
 OR - 18/16 MESH, .011" DIA. ALUMINUM
 WIRE INSECT SCREEN.

FINISH: _____

MINIMUM PANEL SIZE: 12" x 12"
 MAXIMUM SINGLE PANEL SIZE: 60" x 96"

LOUVER PERFORMANCE STATEMENT

LOUVER MODEL EA-605 SHALL BE FABRICATED TO PROVIDE
 A MINIMUM OF (55%), 8.73 SQUARE FEET OF FREE AREA FOR
 A 48" x 48" SIZE LOUVER AND BEAR THE AMCA CERTIFIED
 RATINGS PROGRAM SEAL FOR AIR PERFORMANCE AND WATER
 PENETRATION. THE RATING SHALL SHOW A BEGINNING
 POINT OF WATER PENETRATION AT .01 OUNCES PER SQUARE
 FOOT OF FREE AREA AT A FREE AREA VELOCITY OF 1093
 FEET PER MINUTE, (9541) CUBIC FEET PER MINUTE, WITH
 .18 INCHES WATER GAUGE PRESSURE DROP FOR AIR INTAKE.



FOR CERTIFIED RATINGS
 AUTHORIZED BY AMCA
 -SEE REVERSE SIDE

NOMINAL DEDUCTIONS WILL BE MADE TO THE OPENING SIZES GIVEN.

ITEM	QTY.	WIDTH	HEIGHT	WIDTH	HEIGHT	MULL	TYPE	LOC			 UNION MADE
		OPENING SIZE		LOUVER SIZE							

ARROW UNITED INDUSTRIES
 A DIVISION OF MESTEK, INC.
 450 RIVERSIDE DRIVE
 WYALUSING, PA 18853
 TEL: (570) 746-1888 FAX: (570) 746-9286
 WEB ADDRESS: WWW.ARROWUNITED.COM

AGENT: _____

ARCH./ENG.:	
CONTR.:	
PROJECT:	
EDR:	ECN: JOB:
DATE:	DWN.: DWG.:

LOUVER MODEL EA-605

45° BLADE

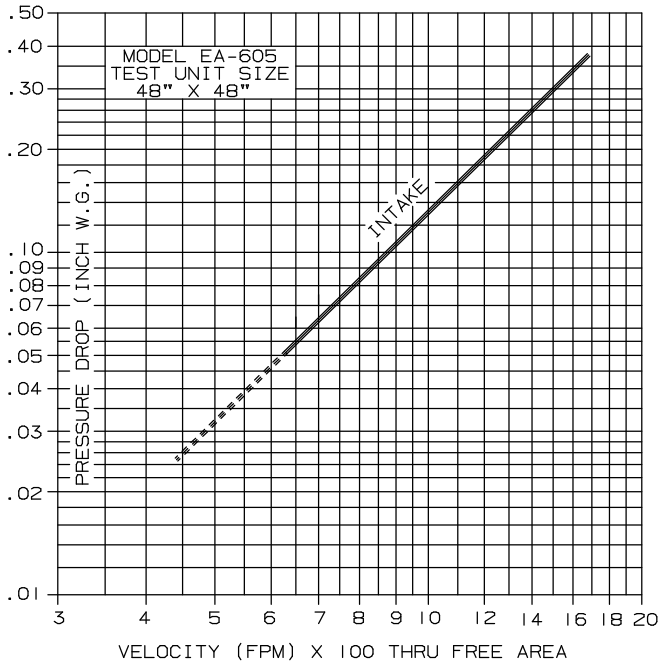
EXTRUDED ALUMINUM - STATIONARY

PERFORMANCE DATA

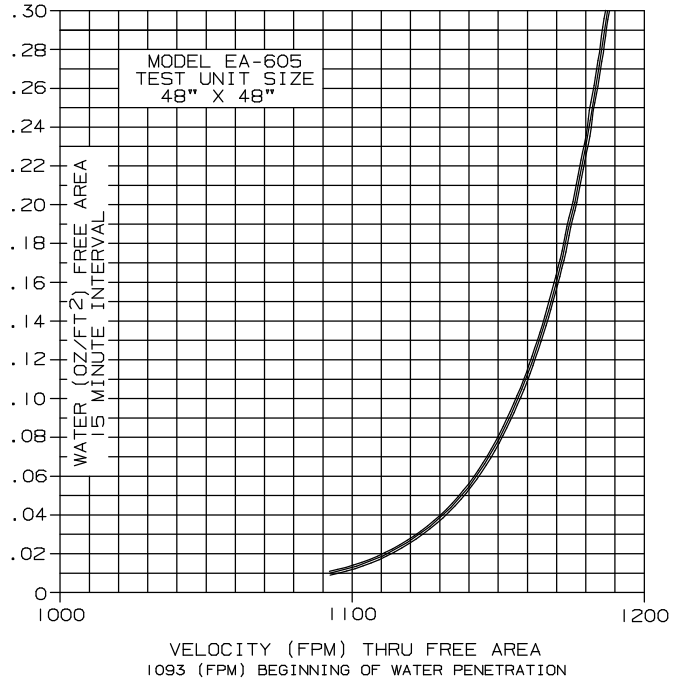
EXCELLENT WEATHER PROTECTION WITH LITTLE PRESSURE LOSS.
 TESTS OF A 48" X 48" SAMPLE BY AN AMCA ACCREDITED LABORATORY
 ACCORDING TO AMCA STANDARD 500 SHOWS LOW WATER PENETRATION.
 TESTS SHOW LESS THAN .02 OZ. PER SQ. FT. WATER PENETRATION AT
 1100 FPM (FREE AREA VELOCITY) WITH LESS THAN .16" W.G. PRESSURE
 DROP (INTAKE).

RATINGS DO NOT INCLUDE THE EFFECT OF BIRDSCREEN.

PRESSURE DROP



WATER PENETRATION



FREE AREA

HEIGHT	FREE AREA (SQ. FT.)								
	WIDTH								
	12"	18"	24"	30"	36"	42"	48"	54"	60"
12"	.25	.41	.57	.73	.89	1.05	1.21	1.36	1.52
24"	.77	1.26	1.75	2.24	2.73	3.22	3.71	4.20	4.69
36"	1.29	2.10	2.92	3.73	4.55	5.36	6.18	6.99	7.81
48"	1.81	2.96	4.10	5.24	6.39	7.53	8.73	9.81	10.96
60"	2.36	3.85	5.34	6.83	8.32	9.81	11.30	12.79	14.28
72"	2.86	4.67	6.48	8.29	10.10	11.91	13.72	15.53	17.34
84"	3.38	5.51	7.64	9.77	11.91	14.04	16.17	18.30	20.44
96"	4.09	6.68	9.26	11.85	14.43	17.01	19.60	22.18	24.77



ARROW UNITED CERTIFIES THAT THE MODEL EA-605 SHOWN HEREIN IS LICENSED TO BEAR THE AMCA SEAL. THE RATINGS SHOWN ARE BASED ON TESTS AND PROCEDURES PERFORMED IN ACCORDANCE WITH THE AMCA PUBLICATION 511 AND COMPLY WITH THE REQUIREMENTS OF THE AMCA CERTIFIED RATINGS PROGRAM. THE AMCA CERTIFIED RATINGS SEAL APPLIES TO AIR PERFORMANCE RATINGS AND WATER PENETRATION RATINGS.

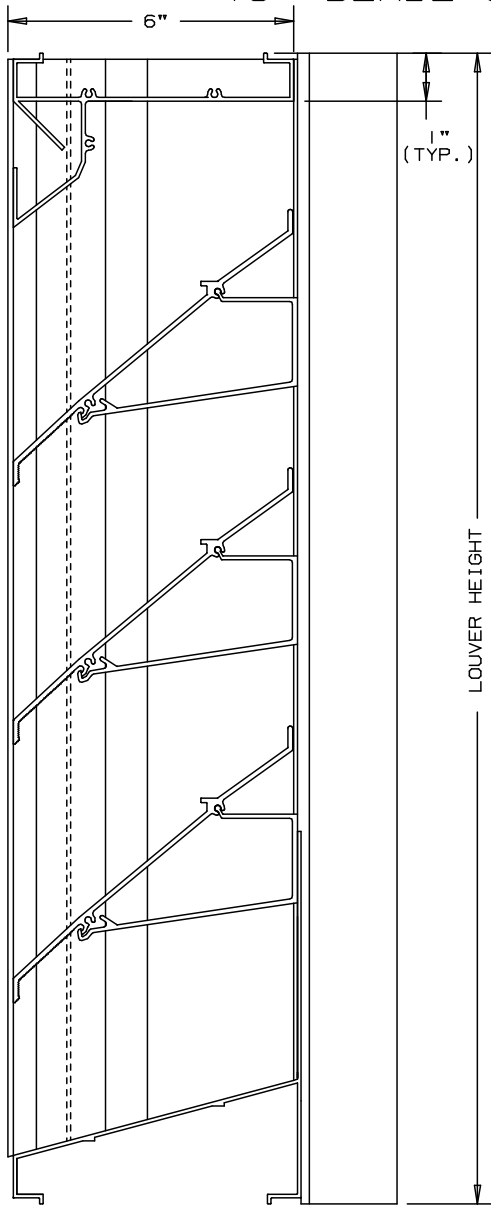
* AMCA ACCREDITED LABORATORY IS A LABORATORY EQUIPPED AND STAFFED TO CONDUCT TESTS ACCORDING TO THE APPROPRIATE AMCA TESTS METHOD AND WHICH HAS BEEN LICENSED AS A AMCA ACCREDITED LABORATORY.

ARROW

EXTRUDED ALUMINUM LOUVERS CONTINUOUS LINE

TYPE EA-605

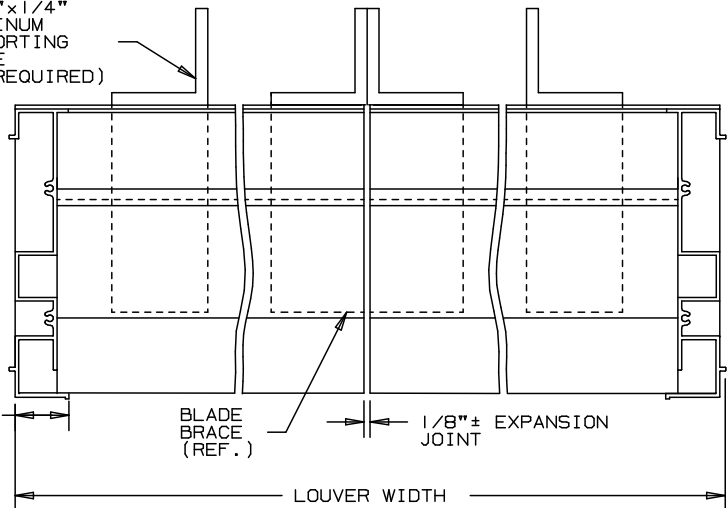
45° BLADE-STATIONARY-CHANNEL TYPE



NOT TO SCALE

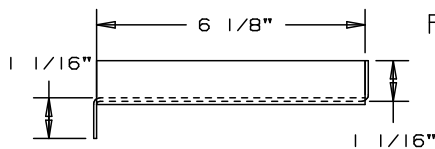
2"x2"x1/4"
ALUMINUM
SUPPORTING
ANGLE
(AS REQUIRED)

1 1/4"
(TYP.)



SPECIFICATIONS

MATERIAL: EXTRUDED ALUMINUM 6063-T6/T52 ALLOY
 FRAMES: .081" THK. (NOMINAL)
 .125" THK. (NOMINAL), AVAILABLE.
 BLADES: .125" THK. (NOMINAL)
 FACE OF LOUVER: FULL WIDTH SILL WITH HEAD AND BLADES
 CONTAINED WITHIN THE JAMBS.
 APPROXIMATE BLADE CENTERS 5 3/8".
 SCREEN: (WHEN INDICATED, IN A REMOVABLE FRAME)
 BIRD SCREEN - 1/2" FLATTENED ALUMINUM, .051" THK.
 OR - 1/2" SQ. MESH INTERMEDIATE DOUBLE-
 CRIMPED ALUMINUM WIRE, .063" DIA.
 OR - 18/16 MESH, .011" DIA. ALUMINUM
 WIRE INSECT SCREEN.
 FINISH: _____
 LOUVERS SHALL WITHSTAND A WINDLOAD OF 20 PSF.
 CONSULT FACTORY TO SUBSTITUTE OTHER LOAD REQUIREMENTS.



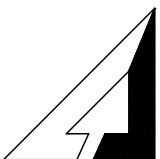
DRAIN PAN DETAIL

• A DRAIN PAN WILL BE PROVIDED
 FOR HIDDEN MULLION ARCHITECTURAL
 CONSTRUCTION FOR MULTI-SECTIONS IN
 WIDTH (AS SHOWN ABOVE)

FOR CERTIFIED RATINGS
 AUTHORIZED BY AMCA
 -SEE CATALOG SHEET
 #891

NOMINAL DEDUCTIONS WILL BE MADE TO THE OPENING SIZES GIVEN.

ITEM	QTY.	WIDTH	HEIGHT	WIDTH	HEIGHT	MULL	TYPE	LOC
		OPENING SIZE		LOUVER SIZE				



ARROW UNITED INDUSTRIES
 A DIVISION OF MESTEK, INC.

450 RIVERSIDE DRIVE
 WYALUSING, PA 18853
 TEL: (570) 746-1888 FAX: (570) 746-9286
 WEB ADDRESS: WWW.ARROWUNITED.COM

AGENT: _____

ARCH./ENG.:
CONTR.:
PROJECT:
EDR: ECN: JOB:
DATE: DWN.: DWG.: