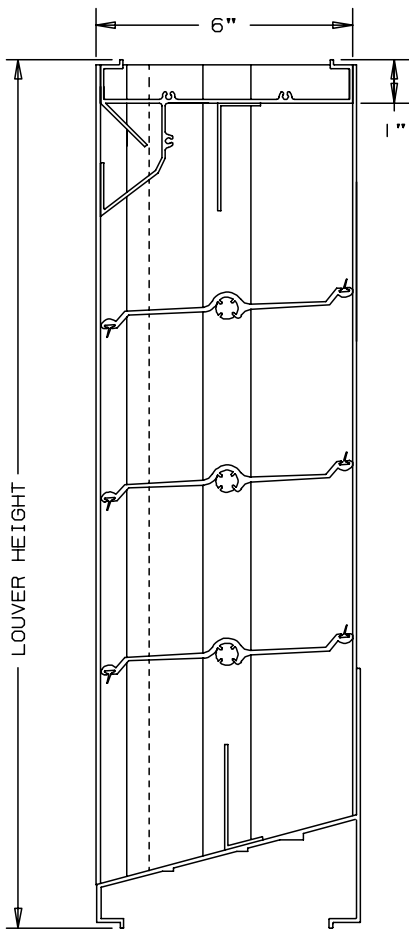


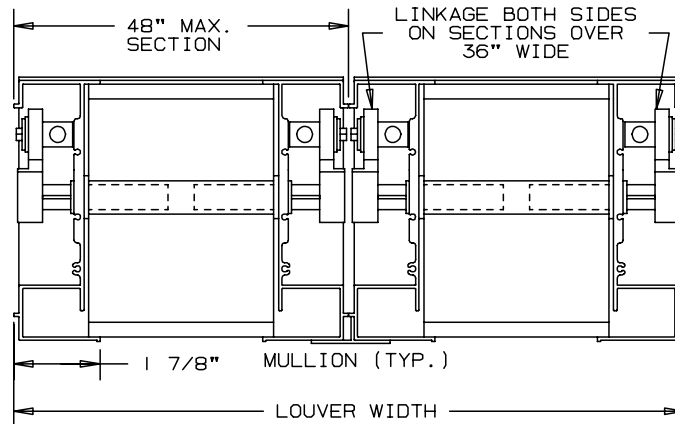
ARROW EXTRUDED ALUMINUM LOUVERS ADJUSTABLE TYPE 6" DEEP

TYPE EA-444-70

FOR MANUAL OR MOTOR OPERATION



NOT TO SCALE



SPECIFICATIONS

BEARINGS: CELCON BEARING MATERIAL SO THAT THERE WILL BE NO METAL TO METAL FRICTION. OPERATING LINKAGE CONCEALED IN FRAME, OUT OF THE AIR STREAM.

MATERIAL: FRAME AND BLADE EXTRUDED ALUMINUM 6063-T6/T52 ALLOY .080" THK., BLADES ON 4" CENTERS.

FACE OF LOUVER: FULL WIDTH SILL WITH DRAIN HEAD AND NON-DRAIN BLADES CONTAINED WITHIN THE DRAIN JAMBS.

LINKAGE: EXTRUDED ALUMINUM, CONCEALED IN CHANNEL OUT OF AIRSTREAM. PIVOTS ARE .50" DIA. MACHINED STEEL, CADMIUM PLATED AND CHROMATE TREATED. PIVOTS ROTATE IN A CELCON BEARING. A .312" DIA. ALUMINUM LINKAGE ROD IS LOCKED TO THE PIVOT BY A 1/4-20 SET SCREW WITH AN EPOXY LOCKING PATCH.

SHAFTS: .50" DIA. ALUMINUM "PIN-LOCK" ROD.

SEALS: EXTRUDED SILICONE RUBBER SEAL AT BLADE EDGE. POLYURETHANE AT THE JAMBS.

SCREENS: WHEN INDICATED, IN A REMOVABLE FRAME.

BIRD SCREEN - 1/2" FLATTENED ALUMINUM, .051" THK.

OR - 1/2" SQ. MESH, INTERMEDIATE DOUBLE-CRIMPED

ALUMINUM WIRE, .063 DIA.

OR - 18/16 MESH, .011" DIA. ALUMINUM WIRE, INSECT SCREEN.

FINISH: MILL.

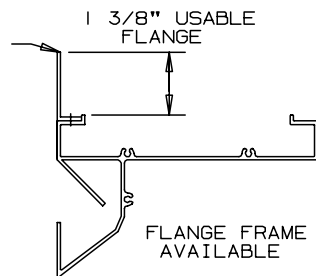
LOUVER SIZES: 12" x 12" MINIMUM PANEL SIZE.

48" x 96" MAXIMUM PANEL SIZE.

LOUVER PERFORMANCE STATEMENT

LOUVER MODEL EA-444-70 SHALL BE FABRICATED TO PROVIDE A MINIMUM OF (67%), 10.71 SQUARE FEET OF FREE AREA FOR A 48" x 48" SIZE LOUVER. TESTED IN ACCORDANCE TO AMCA STANDARD 500-L-99. THE BEGINNING POINT OF WATER PENETRATION AT .01 OUNCES PER SQUARE FOOT OF FREE AREA AT A FREE AREA VELOCITY OF 681 FEET PER MINUTE, (7294) CUBIC FEET PER MINUTE. WITH A .14 INCHES WATER GAUGE PRESSURE DROP AT 1000 FPM FOR AIR INTAKE.

FLANGE FRAME (AVAILABLE EITHER FACE)



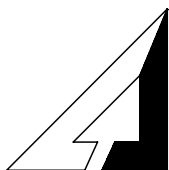
OPTIONAL

- OTHER SCREENS
- ARCHITECTURAL FINISHES
- ACTUATORS (ELECTRIC, PNEUMATIC, MANUAL, ETC.)

FOR CERTIFIED RATINGS
AUTHORIZED BY AMCA
- SEE REVERSE SIDE

NOMINAL DEDUCTIONS WILL BE MADE TO THE OPENING SIZES GIVEN.

ITEM	QTY.	WIDTH	HEIGHT	WIDTH	HEIGHT	MULL	TYPE	LOC
		OPENING SIZE		LOUVER SIZE				



ARROW UNITED INDUSTRIES
A DIVISION OF MESTEK, INC.

450 RIVERSIDE DRIVE
WYALUSING, PA 18853

TEL: (570) 746-1888 FAX: (570) 746-9286

AGENT: _____

ARCH./ENG. :

CONTR. :

PROJECT :

EDR :

ECN :

JOB :

DATE :

DWN. :

DWG. :

LOUVER MODEL EA-444-70

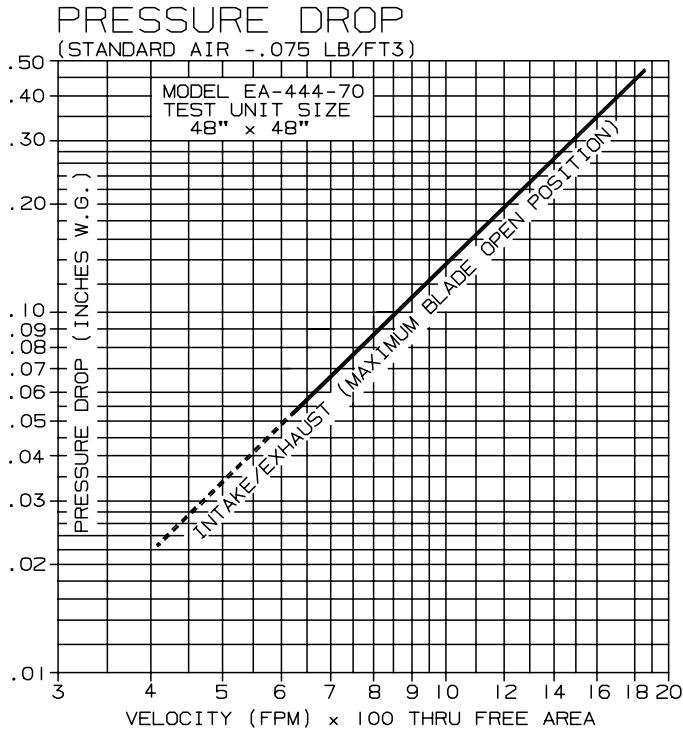
ADJUSTABLE LOUVERS

EXTRUDED ALUMINUM - 6" DEEP

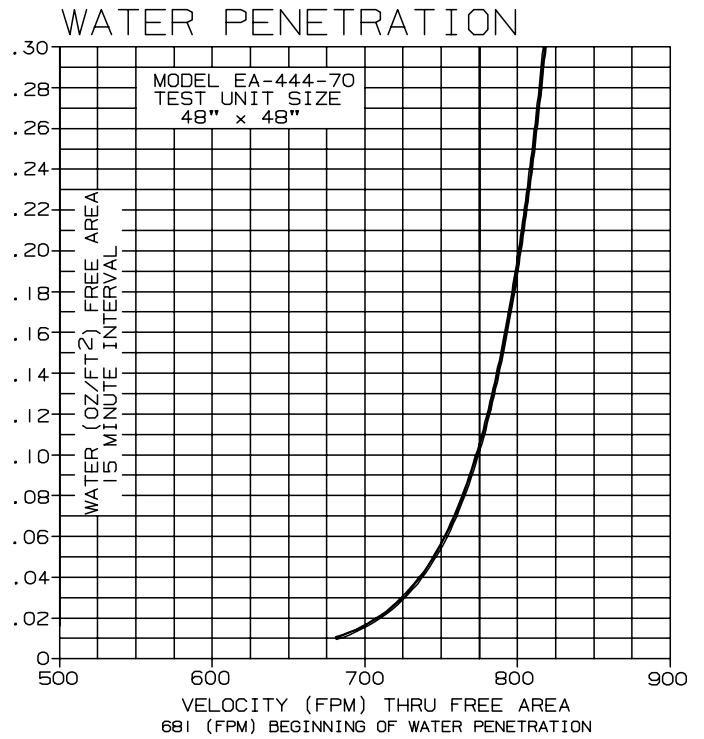
PERFORMANCE DATA

TESTS OF A 48" X 48" SAMPLE ACCORDING TO AMCA STANDARD 500-L SHOWS LESS THAN .07" W.G. PRESSURE DROP INTAKE AND EXHAUST AT 700 FPM (FREE AREA VELOCITY).

RATINGS DO NOT INCLUDE THE EFFECT OF BIRDSCREEN.



NOTE:
THE AMCA CERTIFIED RATINGS SEAL APPLIES TO AIR PERFORMANCE ONLY. THIS LOUVER IS TESTED IN ACCORDANCE WITH AMCA 500-L-99 TEST FIG. 5.5-6.5



FREE AREA

		FREE AREA (SQ. FT.)						
		WIDTH						
HEIGHT	12"	18"	24"	30"	36"	42"	48"	
	12"	.22	.39	.56	.73	.90	1.07	1.24
	24"	.79	1.38	1.97	2.56	3.15	3.74	4.33
	36"	1.35	2.36	3.37	4.38	5.39	6.40	7.41
	48"	1.91	3.34	4.77	6.21	7.64	9.07	10.71
	60"	2.47	4.32	6.18	8.03	9.89	11.74	13.59
	72"	3.03	5.31	7.58	9.86	12.13	14.41	16.68
	84"	3.59	6.29	8.99	11.68	14.38	17.07	19.77
96"	4.16	7.27	10.39	13.51	16.63	19.74	22.86	



ARROW UNITED CERTIFIES THAT THE MODEL EA-444-70 LOUVERS SHOWN HEREIN IS LICENSED TO BEAR THE AMCA SEAL. THE RATINGS SHOWN ARE BASED ON TESTS AND PROCEDURES PERFORMED IN ACCORDANCE WITH THE AMCA PUBLICATION 511 AND COMPLY WITH THE REQUIREMENTS OF THE AMCA CERTIFIED RATINGS PROGRAM. THE AMCA CERTIFIED RATINGS SEAL APPLIES TO AIR PERFORMANCE ONLY.