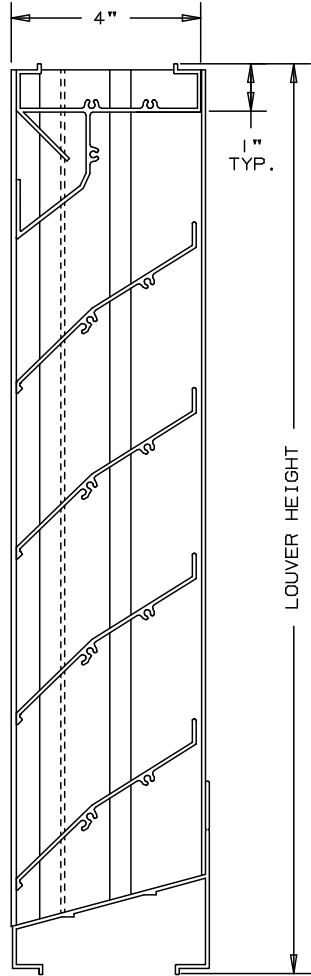


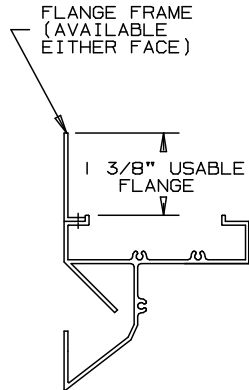
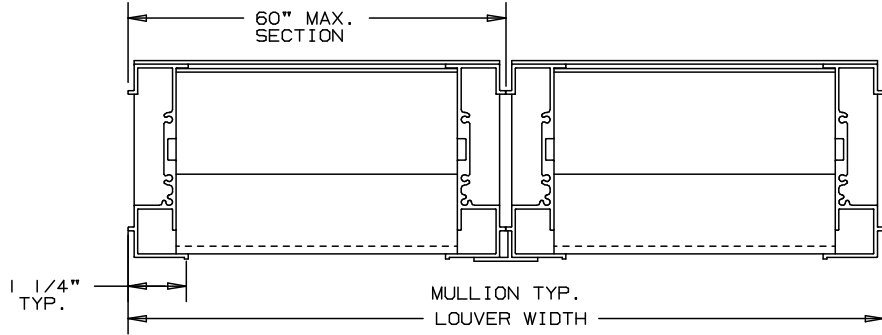
ARROW EXTRUDED ALUMINUM LOUVERS 4" DEEP

TYPE EA-410

37° STRAIGHT BLADE-STATIONARY-CHANNEL TYPE



NOT TO SCALE



FLANGE FRAME OPTION

SPECIFICATIONS

MATERIAL: EXTRUDED ALUMINUM 6063-T52/T6 ALLOY
AVAILABLE IN .081" THK. AND
.125" THK. (NOMINAL).
FACE OF LOUVER: FULL WIDTH SILL WITH HEAD AND
BLADES CONTAINED WITHIN JAMBS.
APPROXIMATE BLADE CENTERS 3 1/2".
SCREEN: (WHEN INDICATED, IN A REMOVABLE FRAME)
BIRD SCREEN - 1/2" FLATTENED ALUMINUM, .051" THK.
OR - 1/2" SQ. MESH INTERMEDIATE DOUBLE-
CRIMPED ALUMINUM WIRE, .063" DIA.
OR - 18/16 MESH, .011" DIA. ALUMINUM
WIRE INSECT SCREEN.
FINISH: _____
MINIMUM PANEL SIZE: 12" x 12"
MAXIMUM SINGLE PANEL SIZE: 60" x 96"

LOUVER PERFORMANCE STATEMENT

LOUVER MODEL EA-410 SHALL BE FABRICATED TO PROVIDE
A MINIMUM OF (57%), 9.16 SQUARE FEET OF FREE AREA FOR
A 48" x 48" SIZE LOUVER AND BEAR THE AMCA CERTIFIED
RATINGS PROGRAM SEAL FOR AIR PERFORMANCE AND WATER
PENETRATION. THE RATING SHALL SHOW A BEGINNING
POINT OF WATER PENETRATION AT .01 OUNCES PER SQUARE
FOOT OF FREE AREA AT A FREE AREA VELOCITY OF 876
FEET PER MINUTE, (8024) CUBIC FEET PER MINUTE. WITH
.10 INCHES WATER GAUGE PRESSURE DROP FOR AIR INTAKE.

FOR CERTIFIED RATINGS
AUTHORIZED BY AMCA
-SEE REVERSE SIDE

NOMINAL DEDUCTIONS WILL BE MADE TO THE OPENING SIZE GIVEN.

ITEM	QTY.	OPENING SIZE		LOUVER SIZE		MULL	SCREENS		UNION MADE
		WIDTH	HEIGHT	WIDTH	HEIGHT		TYPE	LOC	



ARROW UNITED INDUSTRIES
A DIVISION OF MESTEK, INC.
450 RIVERSIDE DRIVE
WYALUSING, PA 18853
TEL: (570) 746-1888 FAX: (570) 746-9286
WEB ADDRESS: WWW.ARROWUNITED.COM

AGENT: _____

ARCH./ENG. : _____
CONTR. : _____
PROJECT : _____
EDR : _____ ECN : _____ JOB : _____
DATE : _____ DWN. : _____ DWG. : _____

LOUVER MODEL EA-410

37° STANDARD BLADE

EXTRUDED ALUMINUM - STATIONARY

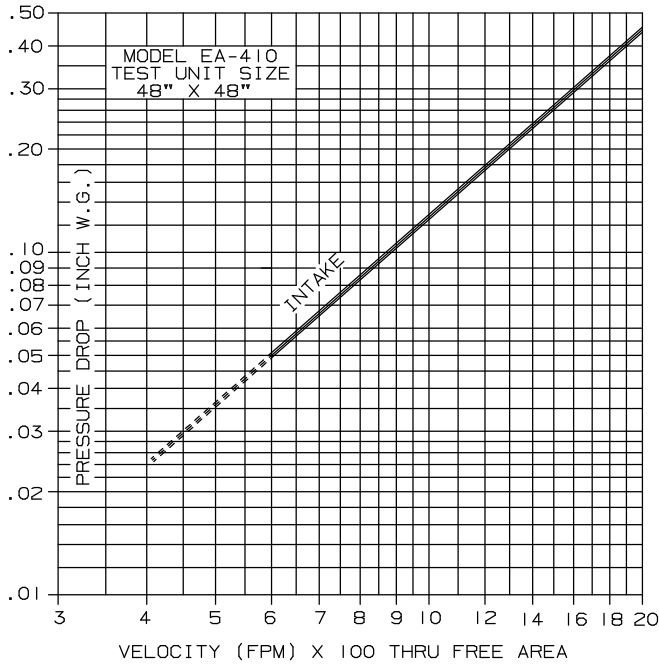
PERFORMANCE DATA

EXCELLENT WEATHER PROTECTION WITH LITTLE PRESSURE LOSS.

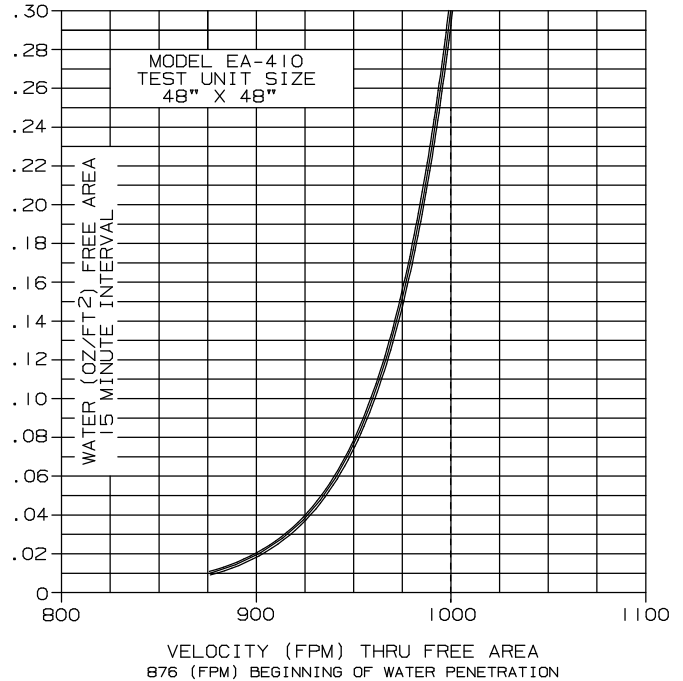
TESTS OF A 48" X 48" SAMPLE BY AN AMCA ACCREDITED LABORATORY ACCORDING TO AMCA STANDARD 500 SHOWS LOW WATER PENETRATION. TESTS SHOW LESS THAN .02 OZ. PER SQ. FT. WATER PENETRATION AT 900 FPM (FREE AREA VELOCITY) WITH LESS THAN .11" W.G. PRESSURE DROP (INTAKE).

RATINGS DO NOT INCLUDE THE EFFECT OF BIRDSCREEN.

PRESSURE DROP



WATER PENETRATION



FREE AREA

HEIGHT	FREE AREA (SQ. FT.)								
	WIDTH								
	12"	18"	24"	30"	36"	42"	48"	54"	60"
12"	.32	.53	.74	.94	1.15	1.35	1.56	1.76	1.97
24"	.82	1.34	1.86	2.38	2.90	3.42	3.94	4.46	4.98
36"	1.31	2.14	2.96	3.79	4.62	5.45	6.27	7.10	7.93
48"	1.93	3.15	4.36	5.58	6.81	8.02	9.16	10.45	11.67
60"	2.37	3.87	5.37	6.86	8.36	9.86	11.35	12.85	14.35
72"	2.99	4.88	6.76	8.65	10.54	12.42	14.31	16.20	18.08
84"	3.48	5.67	7.87	10.06	12.26	14.45	16.65	18.84	21.04
96"	4.04	6.59	9.14	11.69	14.24	16.79	19.34	21.89	24.44



ARROW UNITED CERTIFIES THAT THE MODEL EA-410 SHOWN HEREIN IS LICENSED TO BEAR THE AMCA SEAL. THE RATINGS SHOWN ARE BASED ON TESTS AND PROCEDURES PERFORMED IN ACCORDANCE WITH THE AMCA PUBLICATION 511 AND COMPLY WITH THE REQUIREMENTS OF THE AMCA CERTIFIED RATINGS PROGRAM. THE AMCA CERTIFIED RATINGS SEAL APPLIES TO AIR PERFORMANCE RATINGS AND WATER PENETRATION RATINGS.

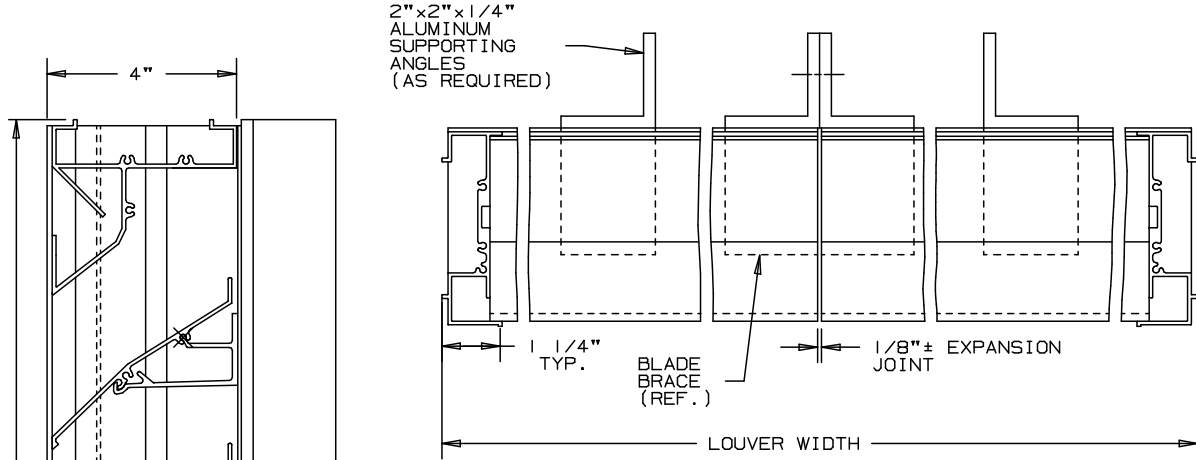
* AMCA ACCREDITED LABORATORY IS A LABORATORY EQUIPPED AND STAFFED TO CONDUCT TESTS ACCORDING TO THE APPROPRIATE AMCA TESTS METHOD AND WHICH HAS BEEN LICENSED AS A AMCA ACCREDITED LABORATORY.

ARROW

EXTRUDED ALUMINUM LOUVERS CONTINUOUS LINE

TYPE EA-410

37° STRAIGHT BLADE-STATIONARY-CHANNEL TYPE



LOUVER HEIGHT

NOT TO SCALE

SPECIFICATIONS

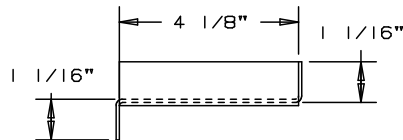
MATERIAL: EXTRUDED ALUMINUM 6063-T52/T6 ALLOY AVAILABLE IN .081" THK. AND .125" THK. (NOMINAL).

FACE OF LOUVER: FULL WIDTH SILL WITH HEAD AND BLADES CONTAINED WITHIN JAMBS. APPROXIMATE BLADE CENTERS 3 1/2".

SCREEN: (WHEN INDICATED, IN A REMOVABLE FRAME)
 BIRD SCREEN - 1/2" FLATTENED ALUMINUM, .051" THK.
 OR - 1/2" SQ. MESH INTERMEDIATE DOUBLE-CRIMPED ALUMINUM WIRE, .063" DIA.
 OR - 18/16 MESH, .011" DIA. ALUMINUM WIRE INSECT SCREEN.

FINISH: _____

LOUVERS SHALL WITHSTAND A WIND LOAD OF 20 PSF. CONSULT FACTORY TO SUBSTITUTE OTHER LOAD REQUIREMENTS.



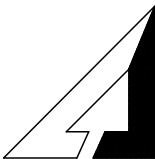
DRAIN PAN DETAIL

* A DRAIN PAN WILL BE PROVIDED FOR HIDDEN MULLION ARCHITECTURAL CONSTRUCTION FOR MULTI-SECTIONS IN WIDTH (AS SHOWN ABOVE)

FOR CERTIFIED RATINGS
AUTHORIZED BY AMCA
-SEE CATALOG SHEET
#864

NOMINAL DEDUCTIONS WILL BE MADE TO THE OPENING SIZE GIVEN.

										
ITEM	QTY.	WIDTH	HEIGHT	WIDTH	HEIGHT	MULL	TYPE	LOC		
		OPENING SIZE		LOUVER SIZE			SCREENS			



ARROW UNITED INDUSTRIES
A DIVISION OF MESTEK, INC.
450 RIVERSIDE DRIVE
WYALUSING, PA 18853
TEL: (570) 746-1888 FAX: (570) 746-9286
WEB ADDRESS: WWW.ARROWUNITED.COM

AGENT: _____

ARCH./ENG. :
CONTR. :
PROJECT :
EDR: _____ ECN: _____ JOB: _____
DATE: _____ DWN.: _____ DWG.: _____